

Product Catalogue Index



Alcove Baths

Acrylic Baths.....10



Clawfoot Baths

Acrylic Baths.....5
Cast Iron Baths8



Drop-In Baths

Corner Baths.....10
Oval Baths12
Rectangular Baths14



Freestanding

Acrylic Baths.....13
Cast Iron Baths44
Composite Baths.....48



Semi-Freestanding

Acrylic Baths.....7



Shower Bases

Single Threshold Bases.....10
Double Threshold Bases.....22
Corner Bases.....27
Receptors.....30

**Index continues
on next page**

Product Catalogue Index



7

Doors

Bath Door & Screen	2
Single Threshold Doors	4
Double Threshold Doors	15
Corner Doors	23



8

Basins

Counter-Top	2
Drop-In	15
Undermount	16
Pure	19



9

Sinks

Kitchen Drop-In	2
Kitchen Undermount	7
Utility / Laundry	15



10

Faucets

Freestanding	2
Wall & Deck Mount	6
Kitchen	7



11

Toilets

Elongated	2
Round Front	2
Square Front	3
Parts	4



12

Aging In Place

Walk-In Baths	7
Shower Bases	16

Part Number Guide

Part #'s	Description
00000 - 09999	Various Accessories, Parts & Jetting / Spa Upgrades
10000 - 19999	Acrylic Kitchen & Laundry Sinks
20000 - 29999	Stainless Steel Kitchen & Laundry Sinks
30000 - 30199	Pure Composite Bathroom Basins
31000 - 31199	Toilets
36000 - 36999	Ceramic Bathroom Basins
40000 - 41999	Acrylic Alcove Baths
42000 - 44259	Acrylic Drop-In Baths
44260 - 44499	Acrylic Free-Standing Baths
46500 - 46599	Composite / Cast Iron Baths
50000 - 59999	Shower / Bath Doors
60000 - 69999	Shower Bases
70000 - 72999	Walk-In Baths, Barrier Free Shower Bases
80000 - 89999	Faucets

Alcove Bath Quick Reference

Upgrades & Accessories

Upgrades

Info.....	3	Alcove Bath Skirt Compatibility.....	6
Compatibility	4	Standard Lateral Air & HydroMassage System ..	7
Options	5-6	Linear Overflow and Drain for Clear Linear Series...	8

54"	Dimensions	LH Drain #	RH Drain #	Page
Clear 5430	53 7/8" x 30" x 20 3/4"	41148	41149	11
Houdini 5430	53 7/8" x 30" x 21 3/4"	41233	41234	15

60"	Dimensions	LH Drain #	RH Drain #	Page
Brockton 6034	59 7/8" x 34" x 21 3/4"	41143	41144	10
Clear 6030	59 7/8" x 30" x 20 5/8"	41151	41152	11
Clear Linear 6030	59 7/8" x 30" x 20 1/4"	41151-L	41152-L	12
Clear 6030 16" Skirt	59 7/8" x 30" x 16"	41151-16	41152-16	11
Clear 6032	59 7/8" x 32" x 20 5/8"	41161	41162	11
Clear Linear 6032	59 7/8" x 32" x 20 1/4"	41161-L	41162-L	12
Clear 6032 16" Skirt	59 7/8" x 32" x 16"	41161-16	41162-16	11
Dixton 6030	59 7/8" x 30" x 20 1/2"	41241	41242	13
Dixton 6032	59 7/8" x 32" x 20 1/2"	41243	41244	13
Elegance 6032	59 7/8" x 32" x 21 3/4"	40710	40610	14
Lady Denmark Pure 6032	59 7/8" x 32" x 21 3/4"	41271P	41272P	17

Alcove Bath Quick Reference

60"	Dimensions	LH Drain #	RH Drain #	Page
Robson 6030	59 7/8" x 30" x 20"	41069	41070	19
Robson 6032	59 7/8" x 32" x 20"	41066	41068	19
Robson Pure 6030	59 7/8" x 30" x 20"	41075	41076	20
Robson Pure 6032	59 7/8" x 32" x 20"	41077	41078	20
Simplicity Pure 6030	59 7/8" x 30" x 22 1/4"	41389	41390	21
Simplicity Pure 6032	59 7/8" x 32" x 23 1/4"	41399	41400	21
Victory 6028 (VB150A SKT)	59 7/8" x 27 1/2" x 24"	41131	41132	22
Woodward 6027	59 7/8" x 27" x 20"	41481	41482	23
66"	Dimensions	LH Drain #	RH Drain #	Page
Clear 6632	65 7/8" x 32" x 20 1/2"	41163	41164	11
Dixton 6632	65 7/8" x 32" x 20 1/2"	41245	41246	13
Lady Amsterdam Pure 6634	65 7/8" x 34" x 21 3/4"	41251P	41252P	16
Simplicity Pure 6630	65 7/8" x 30" x 22"	41404	41405	21
Simplicity Pure 6632	65 7/8" x 32" x 22"	41414	41415	21
72"	Dimensions	LH Drain #	RH Drain #	Page
Lady Rotterdam Pure 7234	71 7/8" x 34" x 21 3/4"	41321P	41322P	18
Lady Rotterdam Pure 7236	71 7/8" x 36" x 21 3/4"	41291P	41292P	18
Simplicity Pure 7232	71 7/8" x 32" x 22"	41425	41426	21
Simplicity Pure 7234	71 7/8" x 33 7/8" x 22"	41435	41436	21

Alcove Bath Upgrades

Chromatherapy

Immerse yourself within a sea of light created by a dual mini-light Chromatherapy system. Bathers can choose between red, orange, yellow, green, blue, turquoise, and magenta, or cycle through a range of 9 blended colours. Combine Chromatherapy with a massage system to create a total spa experience.

Lateral Air

16 jets mounted around the perimeter of the bathing well infuse the water with a soothing stream of massaging bubbles. A ceramic heating core preheats the air as a 600-Watt Panasonic™ blower delivers a steady stream of warm air bubbles to the bather. Use the variable speed control pad to vary the intensity of the massage to your mood.

Enjoy peace of mind in knowing that all blowers are preprogrammed with an auto-drying cycle to clean and dry the system after every use.

HydroMassage

The hydromassage is the most vigorous of all available upgrades, featuring a $\frac{3}{4}$ hp high efficiency pump. Bath water circulates through 6 or more adjustable jets to deliver targeted massaging action with variable levels of intensity. Upgrade this massage system by adding additional jets or adding an in-line heater to help maintain your bath's water temperature.

ComfortWarm™

ComfortWarm™ uses radiant heat technology to directly heat the surface of the bathtub's back-rest. Use the three heat settings to adjust the heat intensity at any time with a simple press of the electronic touchpad.

VIBE Sound

The Vibe System allows you to enjoy your music or radio at the touch of a button in your shower or bathtub. The vibes of the music are synchronized with a Chromatherapy system that will change colors in synch with every beat of your favorite music.

Aromatherapy

Only a few drops of fragrance are needed. The system works using a pump which leads the air towards the receptacle which is filled with a combination of water and a few essential oil drops. Once the aromatherapy system is turned on, the diffuser spreads the natural scent of the essential oil into the ambient air.

Alcove Bath Upgrade Compatibility

Products	Lateral Air	HydroMassage	Chromatherapy	ComfortWarm™	VIBE Sound	Aromatherapy
	One of them can be only installed					
Brockton	+	+	+	+	I or II	+
Clear	+	+	+	+	I or II	+
Dixton	+	+	+	+	I or II	+
Elegance	+	+	+	+	I or II	+
Houdini	+	+	+	+	I or II	+
Lady Amsterdam Pure	+	+	+	+	I or II	+
Lady Denmark Pure	+	+	+	+	I or II	+
Lady Rotterdam Pure	+	+	+	+	I or II	+
Robson	+	+	+	+	I or II	+
Robson Pure	+	+	+	+	I or II	+
Simplicity Pure	+	+	+	+	I or II	+
Victory 6028 (VB150A SKT)	+	+	+	+	I or II	+
Woodward	+	+	+	+	I or II	+

*VIBE Sound I = Keypad, VIBE Sound II = Remote Control

Please note for putting together multiple upgrades contact Acritec Customer Service at customerservice@acritec.com.

Clicker Waste & Overflow Kit

Polished Chrome

Part #

01064



Cable driven Mechanical Waste & Overflow Kit

Polished Chrome

Part #

01090



Alcove Bath Upgrade Options

Lateral Air

16 Jet Air System

- White	00021
- Brushed Nickel	00023
- Polished Chrome	00024
- Remote control for air blower	00133
- Remote Location kit for air blower (12' extra cable & hose)	00131

Variable Air Blower (Replacement)	00180
--	-------



HydroMassage

6 Jet HydroMassage System

- White	00101
- Polished Chrome	00104

8 Jet HydroMassage System

- White	00111
- Polished Chrome	00114

Add 1x HydroMassage Jet

- White	00151
- Polished Chrome	00154

Inline HydroMassage Heater	00171
-----------------------------------	-------

110V 3/4HP Pump (Replacement)	00260
--------------------------------------	-------

Custom Jet System	00155
--------------------------	-------

Sound Deadening Pump Pad	00160
---------------------------------	-------



Chromatherapy Lights

	Part #
2 x White Finish	01020
2 x Chrome Finish	01021



ComfortWarm™

1x ComfortWarm™ Heated Backrest (70W)	01040-01
--	----------

2x ComfortWarm™ Heated Backrests (2x35W)	01040-02
---	----------

Alcove Bath Upgrade Options

VIBE Sound System

VIBE I + Chromotherapy Lights

2x Speakers + 2x Chromotherapy Lights (**White Finish**) + **Advanced Keypad** 01022

2x Speakers + 2x Chromotherapy Lights (**Chrome Finish**) + **Advanced Keypad** 01023

VIBE II + Chromotherapy Lights (For Most Freestanding Tubs)

2x Speakers + 2x Chromotherapy Lights (**White Finish**) + **Remote Control** 01024

2x Speakers + 2x Chromotherapy Lights (**Chrome Finish**) + **Remote Control** 01025

Aromatherapy System

Diffuser System + Keypad 01030



Alcove Bath Skirt Compatibility

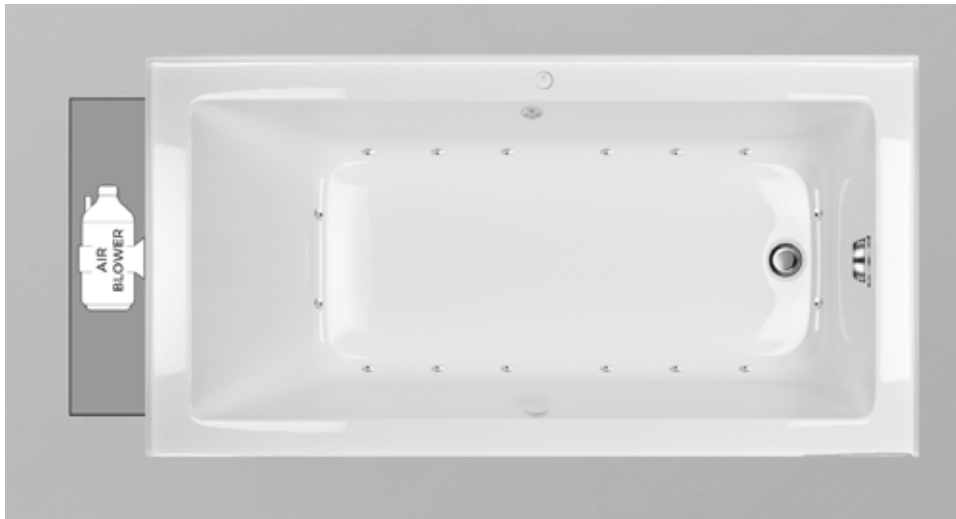
Products	Access Panel for Jetted Tub	Skirt Cut Off	*Wood Skirt standard 1/2" Backset (Including Skirt Removal)
Part Number	41990	02000	02010
Brockton	n/a	+	+
Clear	n/a	+	+
Clear Linear	n/a	+	+
Dixton	n/a	+	+
Elegance	+	+	+
Houdini	n/a	+	+
Lady Amsterdam Pure	n/a	+	+
Lady Denmark Pure	n/a	+	+
Lady Rotterdam Pure	n/a	+	+
Robson	+	+	+
Robson Pure	n/a	+	+
Simplicity Pure	n/a	+	+
Victory 6028 (VB150A SKT)	n/a	+	+
Woodward	n/a	+	+

* 3/4" and 1" backsets are also available. Please specify when ordering.

* **n/a = not available**

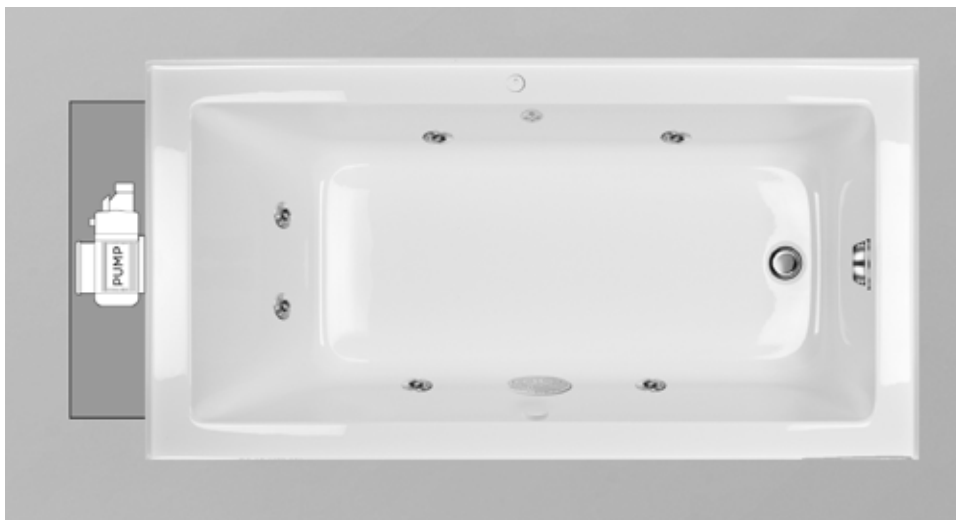
* **+ = available**

Standard Lateral Air and HydroMassage System for Alcove Bath



Lateral Air System

16 Jet Air System



HydroMassage System

6 Jet Hydromassage



HydroMassage System

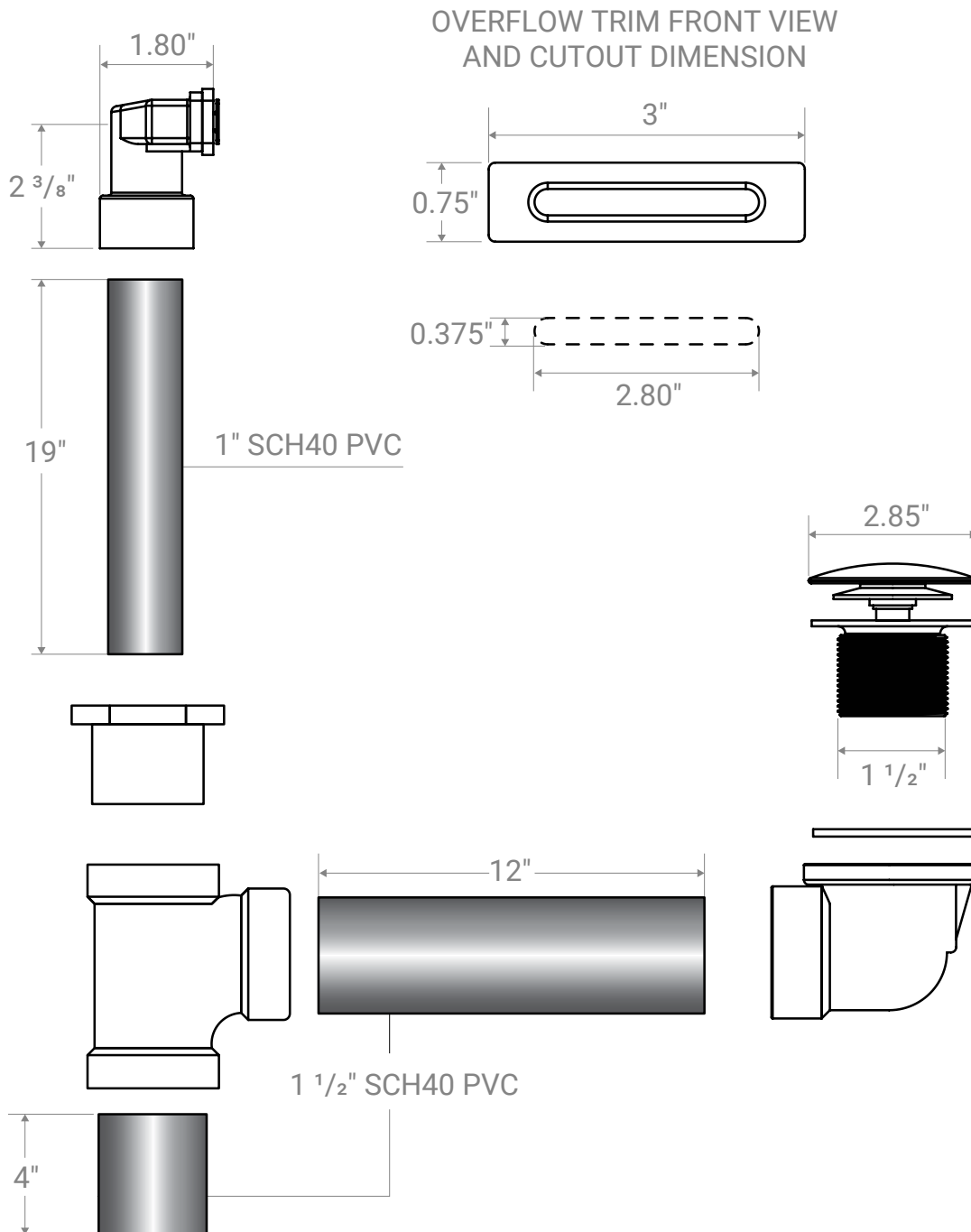
8 Jet Hydromassage

Linear Overflow and Drain for Clear Linear Series (Refer to Page 12)

Chrome	01065
Brushed Nickel	01066
Matte Black	01067

Design Features

- To be used on all Clear Linear series bath tubs.
- Kit includes linear overflow plate cover & clicker drain





08010

Pillow | Contoured | Compatible with all Acritec baths

Dimensions

11 $\frac{7}{8}$ " x 4 $\frac{3}{8}$ "

Colour

Black



08012

Pillow | Premium | Compatible with all Acritec baths

Dimensions

11 $\frac{1}{2}$ " x 6 $\frac{1}{2}$ "

Colour

Black



08014

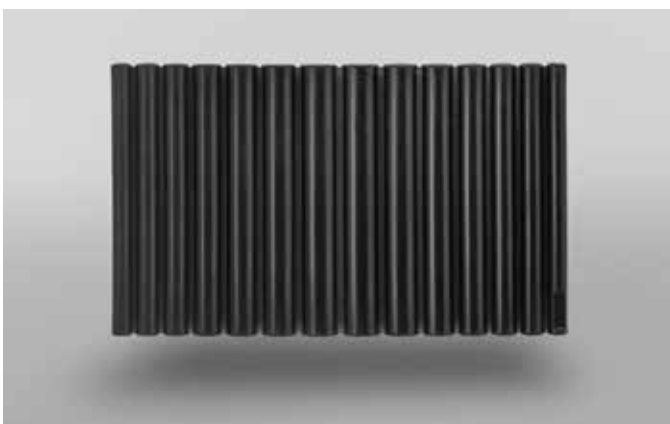
Pillow | Contoured | For baths with rounded backrests

Dimensions

11 $\frac{1}{2}$ " x 3 $\frac{1}{8}$ "

Colour

Black



08016

Pillow | Premium | Compatible with all Acritec baths

Dimensions

15 $\frac{3}{4}$ " x 10 $\frac{1}{4}$ "

Colour

Black

1 | Alcove Baths



Brockton 6034

Brockton 6034	LH Drain # 41143	RH Drain # 41144
----------------------	----------------------------	----------------------------

Dimension	Skirt Height	Immersion Depth	Approx. Weight	Approx. Water Capacity	Approx. Backrest Angle	Above Floor Rough-In
59 7/8" x 34"	21 3/4"	13 1/2"	~ 76 lbs	~ 41 US Gal.	120°	Yes

Skirt Options (Refer to Page 6)

Skirt Cut Off (02000) Wood Skirt 1/2", 3/4" or 1" Backset (02010)

Upgrades (Refer to Page 3 & 7)

Chromatherapy Lateral Air HydroMassage ComfortWarm™ VIBE Sound Aromatherapy



Clear

	LH Drain #	RH Drain #
Clear 5430	41148	41149
Clear 6030	41151	41152
Clear 6032	41161	41162
Clear 6030 Skirt 16"	41151-16	41152-16
Clear 6032 Skirt 16"	41161-16	41162-16
Clear 6632	41163	41164

Dimension	Skirt Height	Immersion Depth	Approx. Weight	Approx. Water Capacity	Approx. Backrest Angle	Above Floor Rough-In
53 7/8" x 30"	20 3/4"	12 1/2"	~ 60 lbs	~ 40 US Gal.	120°	Yes
59 7/8" x 30"	20 5/8"	12 1/2"	~ 70 lbs	~ 45 US Gal.	120°	Yes
59 7/8" x 32"	20 5/8"	12 1/2"	~ 72 lbs	~ 54 US Gal.	120°	Yes
59 7/8" x 30"	16"	11 1/2"	~ 65 lbs	~ 38 US Gal.	120°	No
59 7/8" x 32"	16"	11 1/2"	~ 67 lbs	~ 40 US Gal.	120°	No
65 7/8" x 32"	20 1/2"	12 1/2"	~ 85 lbs	~ 60 US Gal.	116°	Yes

Skirt Options (Refer to Page 6)

Skirt Cut Off (02000) Wood Skirt 1/2", 3/4" or 1" Backset (02010)

Upgrades (Refer to Page 3 & 7)

Chromatherapy Lateral Air HydroMassage ComfortWarm™ VIBE Sound Aromatherapy

1 | Alcove Baths



Clear Linear

	LH Drain #	RH Drain #
Clear Linear 6030	41151-L	41152-L
Clear Linear 6032	41161-L	41162-L

Dimension	Skirt Height	Immersion Depth	Approx. Weight	Approx. Water Capacity	Approx. Backrest Angle	Above Floor Rough-In
59 7/8" x 30"	20 1/4"	13 1/2"	~ 70 lbs	~ 45 US Gal.	120°	Yes
59 7/8" x 32"	20 1/4"	13 1/2"	~ 72 lbs	~ 54 US Gal.	120°	Yes

Linear Overflow and Drain Options: Sold Separately (Refer to Page 8)

Chrome #01065 Brushed Nickel #01066 Matte Black #01067

Skirt Options (Refer to Page 6)

Skirt Cut Off (02000) Wood Skirt 1/2", 3/4" or 1" Backset (02010)

Upgrades (Refer to Page 3 & 7)

Chromatherapy Lateral Air HydroMassage ComfortWarm™ VIBE Sound Aromatherapy



Dixton

	LH Drain #	RH Drain #
Dixton 6030	41241	41242
Dixton 6032	41243	41244
Dixton 6632	41245	41246

Dimension	Skirt Height	Immersion Depth	Approx. Weight	Approx. Water Capacity	Approx. Backrest Angle	Above Floor Rough-In
59 7/8" x 30"	20 1/2"	13"	~ 70 lbs	~ 45 US Gal.	120°	Yes
59 7/8" x 32"	20 1/2"	13"	~ 72 lbs	~ 48 US Gal.	120°	Yes
65 7/8" x 32"	20 1/2"	13"	~ 82 lbs	~ 53 US Gal.	120°	Yes

Skirt Options (Refer to Page 6)

Skirt Cut Off (02000) Wood Skirt 1/2", 3/4" or 1" Backset (02010)

Upgrades (Refer to Page 3 & 7)

Chromatherapy Lateral Air HydroMassage ComfortWarm™ VIBE Sound Aromatherapy

1 | Alcove Baths



Elegance 6032

Elegance 6032	LH Drain # 40710	RH Drain # 40610
----------------------	----------------------------	----------------------------

Dimension	Skirt Height	Immersion Depth	Approx. Weight	Approx. Water Capacity	Approx. Backrest Angle	Above Floor Rough-In
59 7/8" x 32"	21 3/4"	15 1/2"	~ 74 lbs	~ 44 US Gal.	123°	Yes

Skirt Options (Refer to Page 6)

Access Panel (41990)	Skirt Cut Off (02000)	Wood Skirt 1/2", 3/4" or 1" Backset (02010)
----------------------	-----------------------	---

Upgrades (Refer to Page 3 & 7)

Chromatherapy	Lateral Air	HydroMassage	ComfortWarm™	VIBE Sound	Aromatherapy
---------------	-------------	--------------	--------------	------------	--------------



Houdini 5430

Houdini 5430	LH Drain # 41233	RH Drain # 41234
---------------------	----------------------------	----------------------------

Dimension	Skirt Height	Immersion Depth	Approx. Weight	Approx. Water Capacity	Approx. Backrest Angle	Above Floor Rough-In
53 7/8" x 30"	21 3/4"	14 1/4"	~ 65 lbs	~ 36 US Gal.	124°	Yes

Skirt Options (Refer to Page 6)

Skirt Cut Off (02000) Wood Skirt 1/2", 3/4" or 1" Backset (02010)

Upgrades (Refer to Page 3 & 7)

Chromatherapy Lateral Air HydroMassage ComfortWarm™ VIBE Sound Aromatherapy

1 | Alcove Baths



Lady Amsterdam Pure 6634

	LH Drain #	RH Drain #
Lady Amsterdam Pure 6634	41251P	41252P

Dimension	Skirt Height	Immersion Depth	Approx. Weight	Approx. Water Cap.	Approx. Backrest Angle	Above Floor Rough-In
65 7/8" x 34"	21 3/4"	15"	~ 82 lbs	~ 51 US Gal.	160°	No

Skirt Options (Refer to Page 6)

Skirt Cut Off (02000) Wood Skirt 1/2", 3/4" or 1" Backset (02010)

Upgrades (Refer to Page 3 & 7)

Chromatherapy Lateral Air HydroMassage ComfortWarm™ VIBE Sound Aromatherapy



Lady Denmark Pure 6032

Lady Denmark Pure 6032	LH Drain # 41271P	RH Drain # 41272P
-------------------------------	-----------------------------	-----------------------------

Dimension	Skirt Height	Immersion Depth	Approx. Weight	Approx. Water Cap.	Approx. Backrest Angle	Above Floor Rough-In
59 7/8" x 32"	21 3/4"	15 1/2"	~ 72 lbs	~ 45 US Gal.	132°	Yes

Skirt Options (Refer to Page 6)

Skirt Cut Off (02000) Wood Skirt 1/2", 3/4" or 1" Backset (02010)

Upgrades (Refer to Page 3 & 7)

Chromatherapy Lateral Air HydroMassage ComfortWarm™ VIBE Sound Aromatherapy

1 | Alcove Baths



Lady Rotterdam Pure

	LH Drain #	RH Drain #
Lady Rotterdam Pure 7234	41321P	41322P
Lady Rotterdam Pure 7236	41291P	41292P

Dimension	Skirt Height	Immersion Depth	Approx. Weight	Approx. Water Capacity	Approx. Backrest Angle	Above Floor Rough-In
71 7/8" x 34"	21 3/4"	15 1/2"	~ 72 lbs	~ 57 US Gal.	160°	No
71 7/8" x 36"	21 3/4"	15 1/2"	~ 72 lbs	~ 57 US Gal.	160°	No

Skirt Options (Refer to Page 6)

Skirt Cut Off (02000) Wood Skirt 1/2", 3/4" or 1" Backset (02010)

Upgrades (Refer to Page 3 & 7)

Chromatherapy Lateral Air HydroMassage ComfortWarm™ VIBE Sound Aromatherapy



Robson

	LH Drain #	RH Drain #
Robson 6030	41069	41070
Robson 6032	41066	41068

Dimension	Skirt Height	Immersion Depth	Approx. Weight	Approx. Water Capacity	Approx. Backrest Angle	Above Floor Rough-In
59 7/8" x 30"	20"	13 1/2"	~ 62 lbs	~ 37 US Gal.	118°	Yes
59 7/8" x 32"	20"	13 1/2"	~ 65 lbs	~ 37 US Gal.	118°	Yes

Skirt Options (Refer to Page 6)

Access Panel (41990)	Skirt Cut Off (02000)	Wood Skirt 1/2", 3/4" or 1" Backset (02010)
----------------------	-----------------------	---

Upgrades (Refer to Page 3 & 7)

Chromatherapy	Lateral Air	HydroMassage	ComfortWarm™	VIBE Sound	Aromatherapy
---------------	-------------	--------------	--------------	------------	--------------

1 | Alcove Baths



Robson Pure

	LH Drain #	RH Drain #
Robson Pure 6030	41075	41076
Robson Pure 6032	41077	41078

Dimension	Skirt Height	Immersion Depth	Approx. Weight	Approx. Water Capacity	Approx. Backrest Angle	Above Floor Rough-In
59 7/8" x 30"	20"	13 1/2"	~ 62 lbs	~ 37 US Gal.	118°	Yes
59 7/8" x 32"	20"	13 1/2"	~ 65 lbs	~ 37 US Gal.	118°	Yes

Skirt Options (Refer to Page 6)

Skirt Cut Off (02000) Wood Skirt 1/2", 3/4" or 1" Backset (02010)

Upgrades (Refer to Page 3 & 7)

Chromatherapy Lateral Air HydroMassage ComfortWarm™ VIBE Sound Aromatherapy



Simplicity Pure

	LH Drain #	RH Drain #
Simplicity Pure 6030	41389	41390
Simplicity Pure 6032	41399	41400
Simplicity Pure 6630	41404	41405
Simplicity Pure 6632	41414	41415
Simplicity Pure 7232	41425	41426
Simplicity Pure 7234	41435	41436

Dimension	Skirt Height	Immersion Depth	Approx. Weight	Approx. Water Capacity	Approx. Backrest Angle	Above Floor Rough-In
59 7/8" x 30"	22 1/4"	14 3/4"	~ 70 lbs	~ 53 US Gal.	118°±2°	Yes
59 7/8" x 31 7/8"	23 1/4"	15 3/4"	~ 73 lbs	~ 55 US Gal.	110°±2°	Yes
65 7/8" x 30"	22"	16"	~ 80 lbs	~ 63 US Gal.	117°±2°	No
65 7/8" x 32"	22"	16"	~ 80 lbs	~ 63 US Gal.	118°±2°	No
71 7/8" x 32"	22"	14 1/2"	~ 87 lbs	~ 73 US Gal.	121°±2°	Yes
71 7/8" x 33 7/8"	22"	14 1/2"	~ 90 lbs	~ 73 US Gal.	121°±2°	Yes

Skirt Options (Refer to Page 6)

Skirt Cut Off (02000) Wood Skirt 1/2", 3/4" or 1" Backset (02010)

Upgrades (Refer to Page 3 & 7)

Chromatherapy Lateral Air HydroMassage ComfortWarm™ VIBE Sound Aromatherapy

1 | Alcove Baths



Victory 6028 (VB150A SKT)

	LH Drain #	RH Drain #
Victory 6028 (VB150A SKT)	41131	41132

Dimension	Skirt Height	Immersion Depth	Approx. Weight	Approx. Water Capacity	Approx. Backrest Angle	Above Floor Rough-In
59 7/8 x 27 1/2"	24"	13"	~ 70 lbs	~ 40 US Gal.	135°	Yes

Skirt Options (Refer to Page 6)

Skirt Cut Off (02000)	Wood Skirt 1/2", 3/4" or 1" Backset (02010)
-----------------------	---

Upgrades (Refer to Page 3 & 7)

Chromatherapy	Lateral Air	HydroMassage	ComfortWarm™	VIBE Sound	Aromatherapy
---------------	-------------	--------------	--------------	------------	--------------



Woodward 6027

	LH Drain #	RH Drain #
Woodward 6027	41481	41482

Dimension	Skirt Height	Immersion Depth	Approx. Weight	Approx. Water Capacity	Approx. Backrest Angle	Above Floor Rough-In
59 7/8" x 26 3/4"	20"	13"	~ 60 lbs	~ 35 US Gal.	120°	Yes

Skirt Options (Refer to Page 6)

Skirt Cut Off (02000)	Wood Skirt 1/2", 3/4" or 1" Backset (02010)
-----------------------	---

Upgrades (Refer to Page 3 & 7)

Chromatherapy	Lateral Air	HydroMassage	ComfortWarm™	VIBE Sound	Aromatherapy
---------------	-------------	--------------	--------------	------------	--------------

Clawfoot Quick Reference

Upgrades & Accessories

Clawfoot Finish Upgrades

Info & Compatibility 2

Wastes & Overflow

Info & Compatibility 3

Acrylic Clawfoot

Products	Dimensions	Item No.	Page
Antique 59	59" x 30 ¼" x 23 ¼"	43101	5
Rhapsody	68" x 28 ¼" x 31"	43171	6
Victorian 61	60 ½" x 29" x 30 ⅜"	43191	7
Victorian 67	66 ½" x 29" x 31 ¼"	43201	7

Cast Iron Clawfoot

Products	Dimensions	Item No.	Page
Cetus 60	60" x 30" x 22 ⅜"	48010	8
Cetus 67	67" x 30" x 22 ⅜"	48012	8
Kelpie	72" x 30 ¾" x 28 ½"	48035	9
Triton 61	61" x 30 ¾" x 29 ⅜"	48020	10
Triton 67	66 ⅞" x 30 ¾" x 29 ⅜"	48022	10

Clawfoot Bath Leg Finish Upgrades

Brushed Nickel Part #: 43990

****Antique** Part #: 43996

Matte Black Part #: 43993

White Part #: 43992

Oil Rubbed Bronze
Part #: 43994



Clawfoot Bath Leg Finish Upgrade Compatibility

All Clawfoot baths come standard with chrome feet

	Brushed Nickel	Matte Black	White	Oil Rubbed Bronze
Acrylic				
Antique	+ (**)	n/a	n/a	n/a
Rhapsody	+	+	+	+
Victorian	+	+	+	+
Cast Iron				
Cetus	n/a	n/a	n/a	n/a
Kelpie	n/a	n/a	n/a	n/a
Triton	n/a	n/a	n/a	n/a

* n/a = not available

* + = available

Clawfoot Bath Waste & Overflow Kits

Chrome Clicker (Acrylic Clawfoot) Part #: 01076	Chrome Plug & Chain (Acrylic Clawfoot) Part #: 01074	Chrome Clicker and Plug & Chain (Acrylic and Cast Iron Clawfoot) Part #: 01060	Brushed Nickel Plug & Chain (Acrylic Clawfoot) Part #: 01073	O.R.B. Plug & Chain (Acrylic Clawfoot) Part #: 01077	Matte Black Plug & Chain (Acrylic Clawfoot) Part #: 01072
--	---	---	---	---	--

Waste & Overflow Kit Check List

Clawfoot baths do not come with waste & overflow kits. Must be ordered separately.

Acrylic	ChromeClicker Part #: 01076	Chrome Plug & Chain Part #: 01074	Chrome Clicker and Plug & Chain Part #: 01060	Brushed Nickel Plug & Chain Part #: 01073	O.R.B Plug & Chain Part #: 01077	Matte Black Plug & Chain Part #: 01072
Antique	+	+	+	+	+	+
Rhapsody	+	+	+	+	+	+
Victorian	+	+	+	+	+	+
Cast Iron						
Cetus	+	n/a	+	n/a	n/a	n/a
Kelpie	+	n/a	+	n/a	n/a	n/a
Triton	+	n/a	+	n/a	n/a	n/a

* n/a = not available

* + = available

2 | Clawfoot Baths
Upgrades & Accessories



08010

Pillow | Contoured | Compatible with all Acritec baths

Dimensions

11 $\frac{7}{8}$ " x 4 $\frac{3}{8}$ "

Colour

Black



08012

Pillow | Premium | Compatible with all Acritec baths

Dimensions

11 $\frac{1}{2}$ " x 6 $\frac{1}{2}$ "

Colour

Black



08014

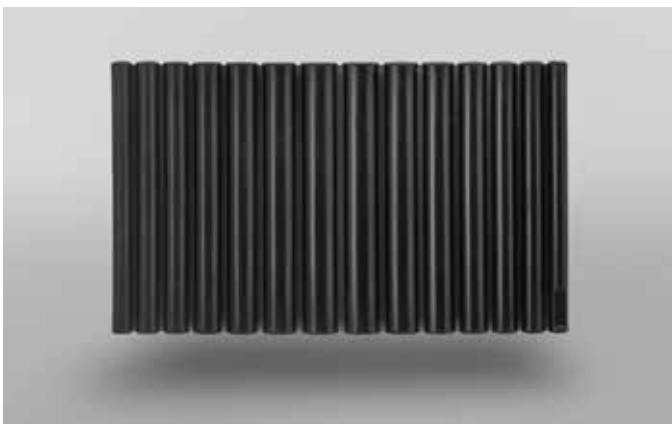
Pillow | Contoured | For baths with rounded backrests

Dimensions

11 $\frac{1}{2}$ " x 3 $\frac{1}{8}$ "

Colour

Black



08016

Pillow | Premium | Compatible with all Acritec baths

Dimensions

15 $\frac{3}{4}$ " x 10 $\frac{1}{4}$ "

Colour

Black



Antique 59

Part # 43101

Material

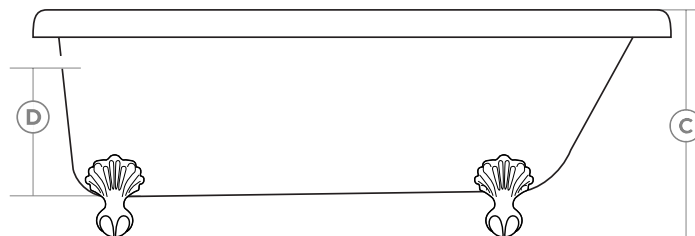
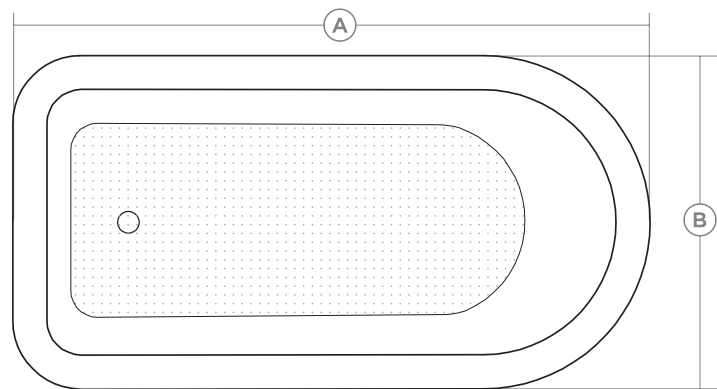
Acrylic

Features

- High gloss finish on interior & exterior surfaces
- Factory installed legs
- End drain
- Lightly textured floor
- Deck mount faucet compatible
- Gently sloping backrest
- Factory installed chrome legs

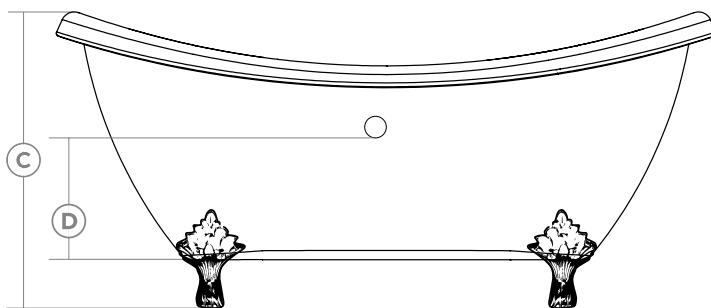
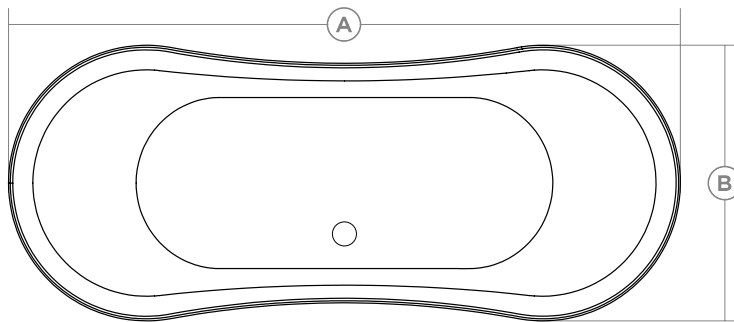
Upgrades (See pages 2-3 for detail)

- Colored feet : Brushed Nickel
- W&O Options



A Length	B Width	C Height	D Immersion Depth
59"	30 ¼"	23 ¼"	12 ¼"

2 | Clawfoot Baths
Acrylic



A Length	B Width	C Height	D Immersion Depth
68"	28 ¼"	31"	11 ½"

Rhapsody

Part # 43171

Material

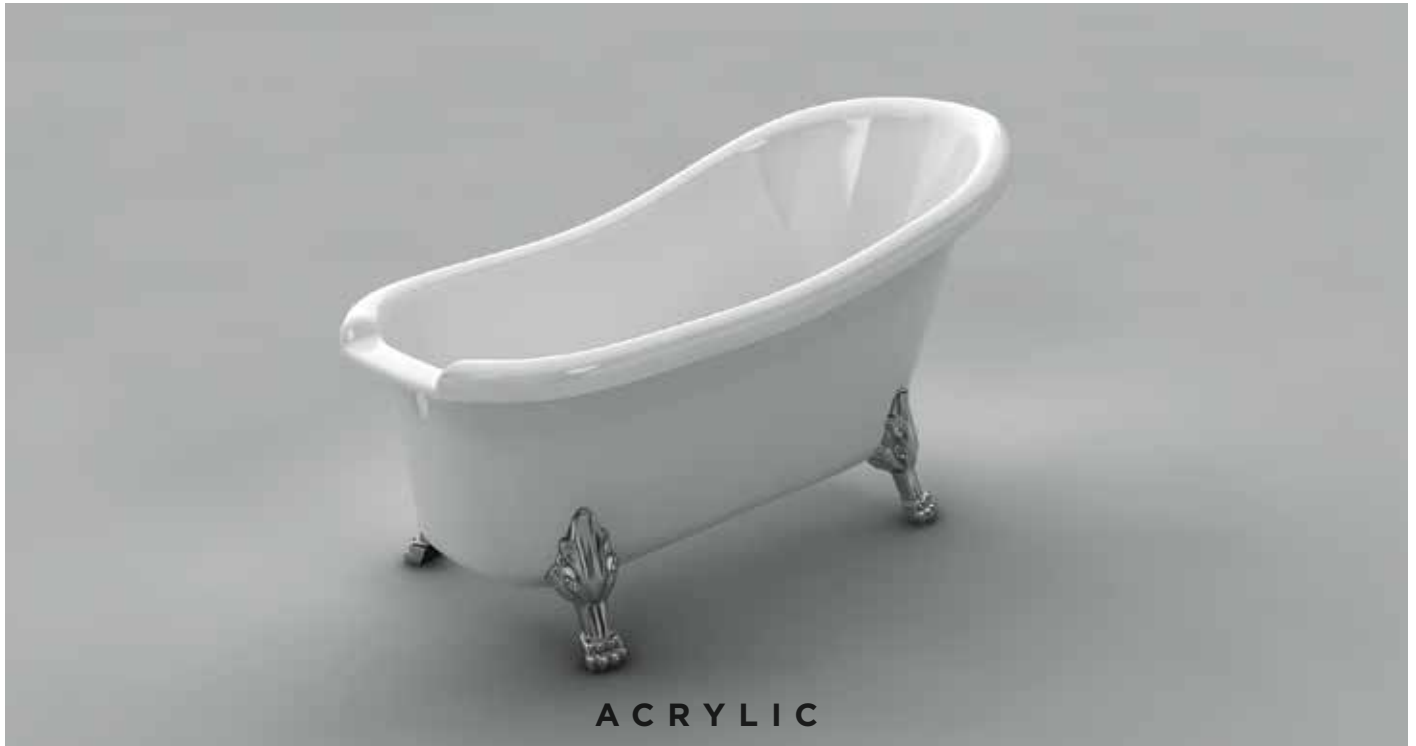
Acrylic

Features

- High gloss finish on interior & exterior surfaces
- Factory installed chrome legs
- Offset centre drain
- Smooth floor
- Gently sloping backrest

Upgrades (See pages 2-3 for detail)

- Colored feet : Matte Black, ORB, Brushed Nickel etc
- W&O Options



Victorian

Part

61" - 43191

67" - 43201

Material

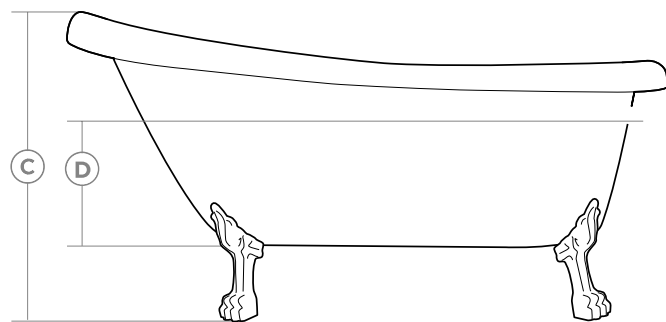
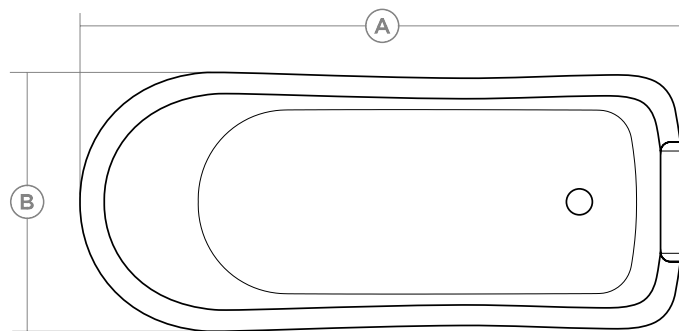
Acrylic

Features

- High gloss finish on interior & exterior surfaces
- Factory installed chrome legs
- End drain
- Smooth floor
- Deck mount faucet compatible
- Gently sloping backrest

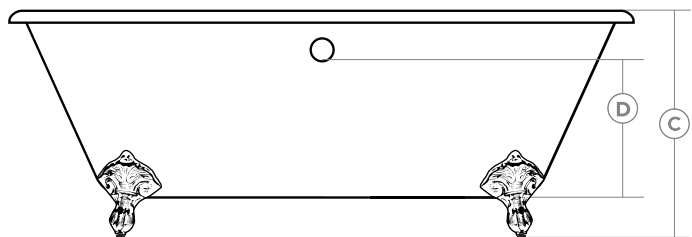
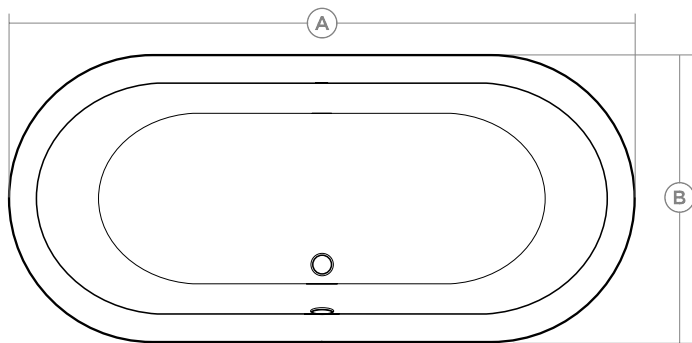
Upgrades (See pages 2-3 for detail)

- Colored feet : Matte Black, ORB, Brushed Nickel etc
- W&O Options



	A Length	B Width	C Height	D Immersion Depth
60 ½"	60 ½"	28 ¾"	30 ⅜"	12 ⅞"
66 ½"	66 ½"	28 ¾"	31 ¼"	12 ⅞"

2 | Clawfoot Baths
Cast Iron



Cetus

Part #

60" - 48010

67" - 48012

Material

Cast Iron

Features

- Double ended bathing well
- Rolled rim
- Gently sloping backrest
- Smooth floor
- Offset centre drain
- Includes chrome legs, shipped separately

A Length	B Width	C Height	D Immersion Depth
60"	30"	22 3/8"	14"
67"	30"	22 3/8"	14"

Upgrades (See page 3 for detail)

- W&O Options



Kelpie

Part # 48035

Material

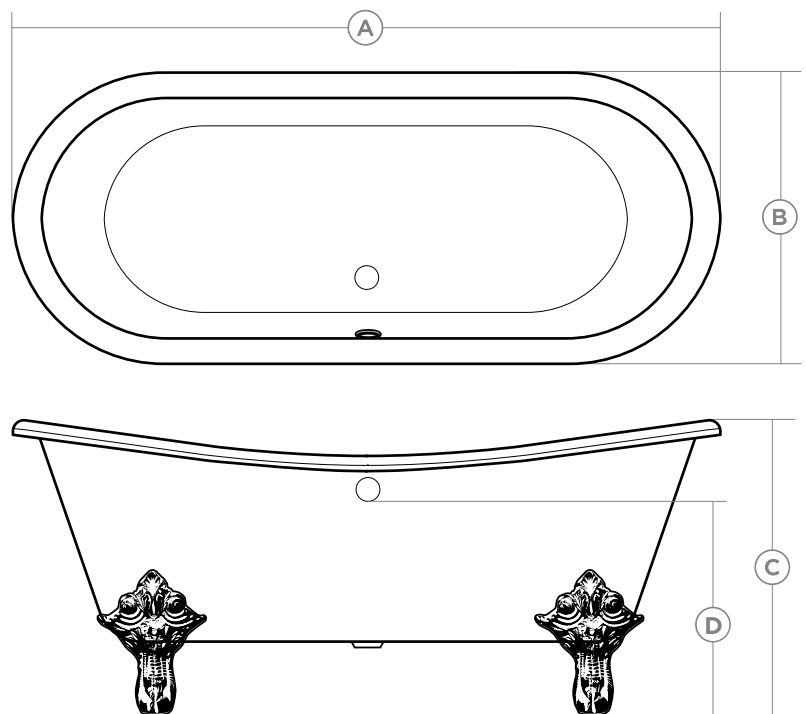
Cast Iron

Features

- Double ended bathing well
- Rolled rim
- Gently sloping backrest
- Smooth floor
- Centre drain
- Includes chrome legs, shipped separately

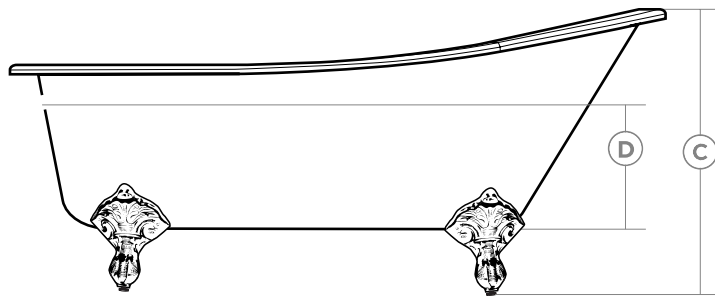
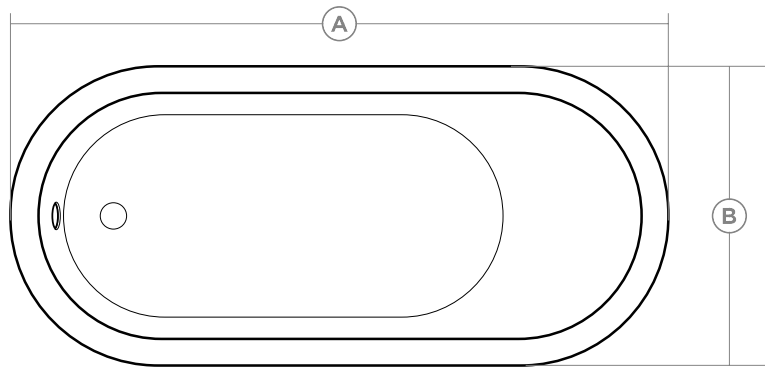
Upgrades (See page 3 for detail)

- W&O Options



A Length	B Width	C Height	D Immersion Depth
72"	30 ¾"	28 ½"	15"

2 | Clawfoot Baths
Cast Iron



A Length	B Width	C Height	D Immersion Depth
61"	30 3/4"	29 3/8"	14"
66 7/8"	30 3/4"	29 3/8"	14"

Triton

Part #

61" - 48020

67" - 48022

Material

Cast Iron

Features

- Rolled rim
- Gently sloping backrest
- Smooth floor
- End drain
- Includes chrome legs, shipped separately

Upgrades (See page 3 for detail)

- W&O Options

Drop-In Bath Quick Reference

Upgrades & Accessories

Upgrades

Info.....	3
Compatibility	4
Options	5-6

Accessories

Info.....	6
Standard Lateral Air System.....	7
Standard HydroMassage System.....	8

Corner Baths

Products	Dimensions	Item No.	Page
Boudoir LH	60" x 42" x 21"	42041	10
Boudoir RH	60" x 42" x 21"	42042	10
Contessa	60" x 60" x 22 ½"	42081	10
Goddess 60	60" x 60" x 19 ½"	42121	11
Tissot	54" x 54" x 19 ⅝"	42133	11

Oval Baths

Products	Dimensions	Item No.	Page
Casablanca	62" x 35" x 21"	42231	12
JF180A	72" x 34 ⅝" x 17 ½"	44161	12
Marrakesh	68" x 35" x 21"	42251	13
Tiffany	55" x 39 ½" x 31 ⅞"	44355	13

Drop-In Bath Quick Reference

Rectangular Baths

Products	Dimensions	Item No.	Page
Amsterdam	65 $\frac{3}{4}$ " x 35 $\frac{1}{2}$ " x 20 $\frac{7}{8}$ "	42331	14
Aura	65 $\frac{3}{4}$ " x 31 $\frac{1}{2}$ " x 20"	42333	14
Balla 60	59 $\frac{1}{2}$ " x 31 $\frac{3}{4}$ " x 19"	42343	15
Balla 66	65 $\frac{1}{2}$ " x 31 $\frac{1}{2}$ " x 19"	42344	15
Balla 72	71 $\frac{1}{4}$ " x 35 $\frac{1}{2}$ " x 18 $\frac{1}{4}$ "	42345	15
Denmark	60" x 35 $\frac{7}{8}$ " x 20"	42354	15
Freya Therapeutica	72" x 47 $\frac{1}{2}$ " x 24 $\frac{1}{2}$ "	42371	16
Heritage	72" x 42" x 22"	42381	16
		42391-1	17
		42391-2	17
Kobe	65" x 31 $\frac{3}{4}$ " x 21 $\frac{1}{2}$ "	42391-3	17
		42391-4	17
		42421-1	17
		42421-2	17
Kyoto	59 $\frac{1}{2}$ " x 32 $\frac{1}{4}$ " x 21 $\frac{1}{4}$ "	42421-3	17
		42421-4	17
Lounge	65 $\frac{1}{4}$ " x 32" x 21 $\frac{3}{4}$ "	44225	18
Rotterdam	71" x 35 $\frac{1}{2}$ " x 21"	42461	18
Stanley	60" x 32" x 20"	42471	19
Vincent 59	59" x 29 $\frac{1}{2}$ " x 18 $\frac{7}{8}$ "	44216	19
Vincent 67	67" x 31 $\frac{1}{2}$ " x 18 $\frac{7}{8}$ "	44218	19
William	71" x 35" x 25 $\frac{1}{2}$ "	45211	20

Drop-In Bath Upgrades

Chromatherapy

Immerse yourself within a sea of light created by a dual mini-light Chromatherapy system. Bathers can choose between red, orange, yellow, green, blue, turquoise, and magenta, or cycle through a range of 9 blended colours. Combine Chromatherapy with a massage system to create a total spa experience.

Lateral Air

16 jets mounted around the perimeter of the bathing well infuse the water with a soothing stream of massaging bubbles. A ceramic heating core preheats the air as a 600-Watt Panasonic™ blower delivers a steady stream of warm air bubbles to the bather. Use the variable speed control pad to vary the intensity of the massage to your mood.

Enjoy peace of mind in knowing that all blowers are preprogrammed with an auto-drying cycle to clean and dry the system after every use.

HydroMassage

The hydromassage is the most vigorous of all available upgrades, featuring a $\frac{3}{4}$ hp high efficiency pump. Bath water circulates through 6 or more adjustable jets to deliver targeted massaging action with variable levels of intensity. Upgrade this massage system by adding additional jets or adding an in-line heater to help maintain your bath's water temperature.

ComfortWarm™

ComfortWarm™ uses radiant heat technology to directly heat the surface of the bathtub's back-rest. Use the three heat settings to adjust the heat intensity at any time with a simple press of the electronic touchpad.

VIBE Sound

The Vibe System allows you to enjoy your music or radio at the touch of a button in your shower or bathtub. The vibes of the music are synchronized with a Chromatherapy system that will change colors in synch with every beat of your favorite music.

Aromatherapy

Only a few drops of fragrance are needed. The system works using a pump which leads the air towards the receptacle which is filled with a combination of water and a few essential oil drops. Once the aromatherapy system is turned on, the diffuser spreads the natural scent of the essential oil into the ambient air.

Drop-In Bath Upgrade Compatibility

Products	Chromatherapy	LateralAir	HydroMassage	ComfortWarm™	VIBE Sound	Aromatherapy
Amsterdam	+	+	+	+	I or II	+
Aura	+	+	+	+	I or II	+
Balla 60/66/72	+	+	+	x2	I or II	+
Boudoir	+	+	+	+	I or II	+
Casablanca	+	+	+	+	I or II	+
Contessa	+	+	+	x2	I or II	+
Denmark	+	+	+	+	I or II	+
Freya Therapeutica	+	+	+	x2	I or II	+
Goddess 60	+	+	+	x2	I or II	+
Heritage	+	+	+	x2	I or II	+
JF180A	+	+	+	x2	I or II	+
Kobe	+	+	+	+	I or II	+
Kyoto	+	+	+	+	I or II	+
Lounge	+	+	+	+	I or II	+
Marrakesh	+	+	+	+	I or II	+
Rotterdam	+	+	+	+	I or II	+
Stanley	+	+	+	+	I or II	+
Tiffany	+	+	+	+	I or II	+
Tissot	+	+	+	x2	I or II	+
Vincent 59/67	+	+	+	+	I or II	+
William	+	+	+	+	I or II	+

* n/a = not available * + = available

*VIBE Sound I = Keypad, VIBE Sound II = Remote Control

Please note for putting together multiple upgrades contact Acritec Customer Service at customerservice@acritec.com.

Drop-In Bath Upgrade Options

Lateral Air	
16 Jet Air System	
- White	00021
- Brushed Nickel	00023
- Polished Chrome	00024
- Remote control for air blower	00133
- Remote Location kit for air blower (12' extra cable & hose)	00131
Variable Air Blower (Replacement)	00180



HydroMassage	
6 Jet HydroMassage System	
- White	00101
- Polished Chrome	00104
8 Jet HydroMassage System	
- White	00111
- Polished Chrome	00114
Add 1x HydroMassage Jet	
- White	00151
- Polished Chrome	00154
Inline HydroMassage Heater	00171
110V 3/4HP Pump (Replacement)	00260



Custom Jet System	00155
Sound Deadening Pump Pad	00160

Chromatherapy Lights	Part #
2 x White Finish	01020
2 x Chrome Finish	01021



ComfortWarm™	
1x ComfortWarm™ Heated Backrest (70W)	01040-01
2x ComfortWarm™ Heated Backrests (2x35W)	01040-02

Drop-In Bath Upgrade Options

VIBE Sound System

VIBE I + Chromotherapy Lights

2x Speakers + 2x Chromotherapy Lights (**White Finish**) + **Advanced Keypad** 01022

2x Speakers + 2x Chromotherapy Lights (**Chrome Finish**) + **Advanced Keypad** 01023

VIBE II + Chromotherapy Lights (For Most Freestanding Tubs)

2x Speakers + 2x Chromotherapy Lights (**White Finish**) + **Remote Control** 01024

2x Speakers + 2x Chromotherapy Lights (**Chrome Finish**) + **Remote Control** 01025

Aromatherapy System

Diffuser System + Keypad 01030



Drop-In Bath Accessories

Accessories

Part

Grab Bar - 6" (Installed)

- Clear / Gold Inserts 01002

- White 01003

Grab Bar - 10" (Installed)

- Chrome 01004

144" Plastic Tiling Flange (Supply Only) 02040

144" Plastic Tiling Flange (Flange Factory Installed) 02040.02050

64" Plastic Tiling Flange (Supply Only) 02041

64" Plastic Tiling Flange (Flange Factory Installed) 02041.02050

78" Aluminum Tiling Flange (Supply Only) 02042

78" Aluminum Tiling Flange (Flange Factory Installed) 02042.02050

Clicker Waste & Overflow Kit

Part

Polished Chrome 01064

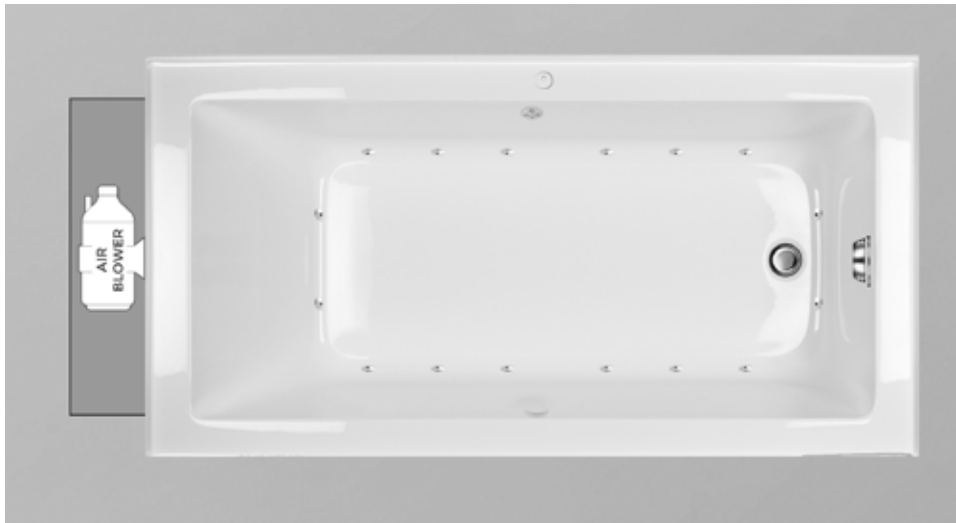
Cable driven Mechanical Waste & Overflow Kit

Part

Polished Chrome 01090



Standard Lateral Air System for Drop-In Bath



Rectangular End Drain

16 Jet Air System



Rectangular Middle Drain

16 Jet Air System



Corner

16 Jet Air System

Standard HydroMassage System for Drop-In Bath

6 Jet HydroMassage System



8 Jet HydroMassage System



Rectangular End Drain



Rectangular Middle Drain



Corner



08010

Pillow | Contoured | Compatible with all Acritec baths

Dimensions

11 $\frac{7}{8}$ " x 4 $\frac{3}{8}$ "

Colour

Black



08012

Pillow | Premium | Compatible with all Acritec baths

Dimensions

11 $\frac{1}{2}$ " x 6 $\frac{1}{2}$ "

Colour

Black



08014

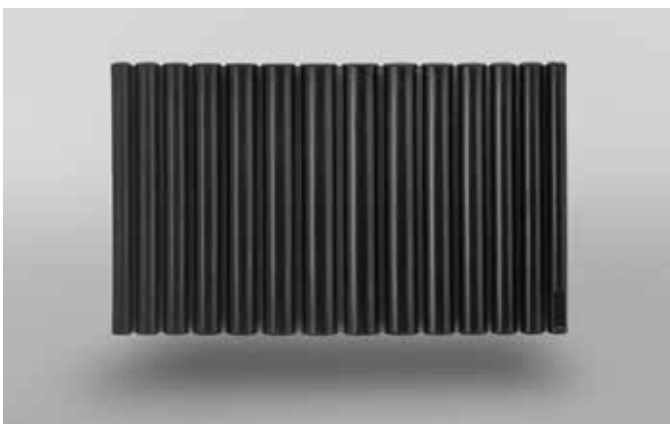
Pillow | Contoured | For baths with rounded backrests

Dimensions

11 $\frac{1}{2}$ " x 3 $\frac{1}{8}$ "

Colour

Black



08016

Pillow | Premium | Compatible with all Acritec baths

Dimensions

15 $\frac{3}{4}$ " x 10 $\frac{1}{4}$ "

Colour

Black

3 | Drop-In Baths Corner

Boudoir

Part

LH - 42041

RH - 42042

Dimensions

60" x 42" x 21"

Immersion Depth

14 ¼"

Upgrades (See pg. 3-9 for details)

Chromatherapy

Lateral Air

HydroMassage

ComfortWarm™

VIBE Sound

Aromatherapy

Left Hand
Shown



Contessa

Part # 42081

Dimensions

60" x 60" x 22 ½"

Immersion Depth

13 ¼"

Upgrades (See pg. 3-9 for details)

Chromatherapy

Lateral Air

HydroMassage

2 x ComfortWarm™

VIBE Sound

Aromatherapy





Goddess 60

Part # 42121

Dimensions

60" x 60" x 19 1/2"

Immersion Depth

14 1/2"

Upgrades (See pg. 3-9 for details)

Chromatherapy
Lateral Air
HydroMassage
2 x ComfortWarm™
VIBE Sound
Aromatherapy



Tissot

Part # 42133

Dimensions

54" x 54" x 19 5/8"

Immersion Depth

16 1/2"

Upgrades (See pg. 3-9 for details)

Chromatherapy
Lateral Air
HydroMassage
2 x ComfortWarm™
VIBE Sound
Aromatherapy

3 | Drop-In Baths
Oval

Casablanca

Part # 42231

Dimensions

62" x 35" x 21"

Immersion Depth

15 ¼"

Upgrades (See pg. 3-9 for details)

Chromatherapy

Lateral Air

HydroMassage

ComfortWarm™

VIBE Sound

Aromatherapy



JF180A

Part # 44161

Dimensions

72" x 34 ⅝" x 17 ½"

Immersion Depth

12 ¾"

Upgrades (See pg. 3-9 for details)

Chromatherapy

Lateral Air

HydroMassage

2 x ComfortWarm™

VIBE Sound

Aromatherapy





Marrakesh

Part # 42251

Dimensions

68" x 35" x 21"

Immersion Depth

15 ½"

Upgrades (See pg. 3-9 for details)

Chromatherapy

Lateral Air

HydroMassage

ComfortWarm™

VIBE Sound

Aromatherapy



Tiffany

Part # 44355

Dimensions

55" x 39 ½" x 31 ⅞"

Immersion Depth

28 ½"

Upgrades (See pg. 3-9 for details)

Chromatherapy

Lateral Air

HydroMassage

ComfortWarm™

VIBE Sound

Aromatherapy

**3 | Drop-In Baths
Rectangular**

Amsterdam

Part # 42331

Dimensions

65 ³/₄" x 35 ¹/₂" x 20 ⁷/₈"

Immersion Depth

16 ¹/₂"

Upgrades (See pg. 3-9 for details)

Chromatherapy

Lateral Air

HydroMassage

ComfortWarm™

VIBE Sound

Aromatherapy



Aura

Part # 42333

Dimensions

65 ³/₄" x 31 ¹/₂" x 20"

Immersion Depth

15 ¹/₂"

Upgrades (See pg. 3-9 for details)

Chromatherapy

Lateral Air

HydroMassage

ComfortWarm™

VIBE Sound

Aromatherapy





* Undermount Compatible

Balla

Part #

60" - 42343

66" - 42344

72" - 42345

Dimensions

Variable, please refer to spec sheets on website

Immersion Depth

12 1/2"

Upgrades (See pg. 3-9 for details)

Chromatherapy
Lateral Air
HydroMassage
2 x ComfortWarm™
VIBE Sound
Aromatherapy

Denmark

Part # 42354

Dimensions

60"x 35 7/8" x 20"

Immersion Depth

14 1/4"

Upgrades (See pg. 3-9 for details)

Chromatherapy
Lateral Air
HydroMassage
ComfortWarm™
VIBE Sound
Aromatherapy



3 | Drop-In Baths
Rectangular

Freya Therapeutica

Part # 42371

Dimensions

72" x 47 ½" x 24 ½"

Immersion Depth

19"

Upgrades (See pg. 3-9 for details)

Chromatherapy

Lateral Air

HydroMassage

2 x ComfortWarm™

VIBE Sound

Aromatherapy



Heritage

Part # 42381

Dimensions

72" x 42" x 22"

Immersion Depth

14 ½"

Upgrades (See pg. 3-9 for details)

Chromatherapy

Lateral Air

HydroMassage

2 x ComfortWarm™

VIBE Sound

Aromatherapy





Kobe

Lip + Part #

1" - 42391-1

2" - 42391-2

3" - 42391-3

4" - 42391-4

Dimensions

65" x 31 3/4" x 21 1/2"

Immersion Depth

15 1/2"

Upgrades (See pg. 3-9 for details)

Chromatherapy

Lateral Air

HydroMassage

ComfortWarm™

VIBE Sound

Aromatherapy



Kyoto

Lip + Part #

1" - 42421-1

2" - 42421-2

3" - 42421-3

4" - 42421-4

Dimensions

59 1/2" x 32 1/4" x 21 1/4"

Immersion Depth

16"

Upgrades (See pg. 3-9 for details)

Chromatherapy

Lateral Air

HydroMassage

ComfortWarm™

VIBE Sound

Aromatherapy

3 | Drop-In Baths Rectangular

Lounge

Part # 44225

Dimensions

65 ¼" x 32" x 21 ¾"

Immersion Depth

13 ½"

Upgrades (See pg. 3-9 for details)

- Grab Bar
- Chromatherapy
- Lateral Air
- HydroMassage
- ComfortWarm™
- VIBE Sound
- Aromatherapy



Rotterdam

Part # 42461

Dimensions

71" x 35 ½" x 21"

Immersion Depth

15"

Upgrades (See pg. 3-9 for details)

- Chromatherapy
- Lateral Air
- HydroMassage
- ComfortWarm™
- VIBE Sound
- Aromatherapy





Stanley

Part # 42471

Dimensions

60" x 32" x 20"

Immersion Depth

15 ½"

Upgrades (See pg. 3-9 for details)

Chromatherapy

Lateral Air

HydroMassage

ComfortWarm™

VIBE Sound

Aromatherapy



Vincent

Part #

59" - 44216

67" - 44218

Dimensions

59" - 59" x 29 ½" x 18 ⅞"

67" - 67" x 31 ½" x 18 ⅞"

Immersion Depth

12"

Upgrades (See pg. 3-9 for details)

Chromatherapy

Lateral Air

HydroMassage

ComfortWarm™

VIBE Sound

Aromatherapy

William

Part #

45211

Dimensions

71" x 35" x 25 ½"

Immersion Depth

17"

Upgrades (See pg. 3-9 for details)

Chromatherapy

Lateral Air

HydroMassage

ComfortWarm™

VIBE Sound

Aromatherapy



Freestanding Bath Quick Reference

Upgrades & Accessories

Acrylic

Upgrade Compatibility 5-6
 Options 6-7
 Accessories & Compatibility... 8-9

Cast Iron

Upgrade & Accessories..... 10

Composite

Upgrade & Accessories..... 11

Acrylic

54" - 60"	Dimensions	Part #	Page
Cadence	59" x 31 1/2" x 23 5/8"	44403	16
Claude 54	54" x 31 1/8" x 28 3/8"	44330	19
Claude 59	59" x 27 3/4" x 27 3/4"	44331	19
- Black	59" x 27 3/4" x 27 3/4"	44331-BLK	19
Marlo	59 7/8" x 31 7/8" x 23 5/8"	44343	29
Monaco 54	53 3/4" x 31 1/2" x 23 5/8"	44457	31
Monaco 59	59" x 31 1/2" x 23 5/8"	44459	31
- Black	59" x 31 1/2" x 23 5/8"	44459-BLK	31
Olivia	60" x 31 1/2" x 30"	44329	32
Renoir 59	59" x 29 1/2" x 23 1/2"	44313	34
Toulon	59" x 31 1/2" x 23 5/8"	44466	40
Vanessa (Closed Back)	59" x 29 5/8" x 22 7/8"	44335.1	42
Zaria	59 1/4" x 29 5/8" x 23 5/8"	44380	43

63" - 65"	Dimensions	Part #	Page
Catalina	63" x 35 1/2" x 22 7/8"	44425	17
Marseille	62 5/8" x 29 5/8" x 22 1/2"	44351	30
Monaco 63	63" x 31 3/8" x 23 5/8"	44460	31

4 | Freestanding Baths

Acrylic

66" - 69"	Dimensions	Part #	Page
Antoine	66 ¼" x 31 ⅛" x 28 ¾"	44369	13
Arya	68 ½" x 30 ⅞" x 30 ¼"	44317	14
Bianca	67" x 29" x 33"	44345	15
Clarice	67" x 33 ½" x 23 ¼"	44407	18
Daphne	67" x 33 ½" x 22 ⅞"	44408	20
Degas	67" x 29 ½" x 28 ⅜"	46055	21
Elsie	66 ⅞" x 29 ½" x 22 ⅞"	44352	22
Hawthorne	67" x 29 ½" x 27"	44361	24
- Grey	67" x 29 ½" x 27"	44362	24
Hayden	68 ¼" x 28 ½" x 29 ¾"	44347	25
- Gold	68 ¼" x 28 ½" x 29 ¾"	44347-06	25
- Silver	68 ¼" x 28 ½" x 29 ¾"	44347-05	25
Lyon	66 ⅞" x 31 ¼" x 23 ½"	44271	27
- Black	66 ⅞" x 31 ¼" x 23 ½"	44271_Black	28
Monaco 67	66 ⅞" x 31 ½" x 23 ⅝"	44462	31
Penelope	66 ¼" x 31 ½" x 23 ⅝"	44471	33
- Black	66 ¼" x 31 ½" x 23 ⅝"	44471-BLK	33
Renoir 67	67" x 31 ⅞" x 23 ½"	44315	34
Sandor	68 ¾" x 31" x 27 ⅜"	44337	35
Sansa	69" x 31 ⅞" x 27"	44327	36
Sherin	67" x 29 ½" x 27 ½"	44333	37
Theo	68 ½" x 31 ½" x 26 ¾"	44377	38
- Gold	68 ½" x 31 ½" x 26 ¾"	44377-06	38
- Silver	68 ½" x 31 ½" x 26 ¾"	44377-05	38
Tours	66 ¾" x 31 ½" x 23 ¼"	44322	41
70"+	Dimensions	Part #	Page
Florence	70 ⅞" x 31 ½" x 31 ½"	44480	23

Freestanding Cast Iron Bath Quick Reference

Cast Iron

66"	Dimensions	Part #	Page
Kraken White Skirt	66" x 28" x 29"	48042	44
67"	Dimensions	Part #	Page
Lusca Skirt - White	67" x 26 ½" x 28"	48040	45
- Satin	67" x 26 ½" x 28"	48040-02	46
- Black	67" x 26 ½" x 28"	48040-05	46
- Mirror	67" x 26 ½" x 28"	48040-08	46
Makara	66 ⅞" x 30" x 32"	48025	47

Freestanding Composite Bath Quick Reference

Composite

63"~65"	Dimensions	Part #	Page
Aida	63" x 34" x 22 ⅞"	46520	48
Palermo	63 ⅜" x 28" x 22 ¼"	46507	53
66"~69"	Dimensions	Part #	Page
Delfina	66 ⅝" x 30 ¼" x 21"	46522	49
Justina	66 ½" x 29 ¾" x 28 ¾"	46524	52
Juliet	67 ¼" x 31 ¼" x 22 ½"	46521	51
Poeta	67 ½" x 31 ½" x 21 ¼"	46523	54
Gauguin	68" x 40 ½" x 25 ¾"	46512	50
70"+	Dimensions	Part #	Page
Sicilian	70 ¾" x 31 ½" x 21 ½"	46513	55

Freestanding Bath Upgrades

Chromatherapy

Immerse yourself within a sea of light created by a dual mini-light Chromatherapy system. Bathers can choose between red, orange, yellow, green, blue, turquoise, and magenta, or cycle through a range of 9 blended colours. Combine Chromatherapy with a massage system to create a total spa experience.

Lateral Air

16 jets mounted around the perimeter of the bathing well infuse the water with a soothing stream of massaging bubbles. A ceramic heating core preheats the air as a 600-Watt Panasonic™ blower delivers a steady stream of warm air bubbles to the bather. Use the variable speed control pad to vary the intensity of the massage to your mood.

Enjoy peace of mind in knowing that all blowers are preprogrammed with an auto-drying cycle to clean and dry the system after every use.

Roughin EZ

The Roughin EZ Drain provides an easy way to install a free standing bathtub. Kit includes a reusable test plug, twist lock coupling, brass tailpiece, nut and flat washer.

ComfortWarm™

ComfortWarm™ uses radiant heat technology to directly heat the surface of the bathtub's back-rest. Use the three heat settings to adjust the heat intensity at any time with a simple press of the electronic touchpad.

VIBE Sound

The Vibe System allows you to enjoy your music or radio at the touch of a button in your shower or bathtub. The vibes of the music are synchronized with a Chromatherapy system that will change colors in synch with every beat of your favorite music.

Aromatherapy

Only a few drops of fragrance are needed. The system works using a pump which leads the air towards the receptacle which is filled with a combination of water and a few essential oil drops. Once the aromatherapy system is turned on, the diffuser spreads the natural scent of the essential oil into the ambient air.

Freestanding Acrylic Bath Upgrade Compatibility

Products	ComfortWarm™	Roughin EZ	Chromatherapy	Lateral Air	VIBE Sound	Aromatherapy
Antoine	x2	+	+	n/a	II	n/a
Arya	n/a	+	n/a	n/a	II	n/a
Bianca	n/a	+	n/a	n/a	II	n/a
Cadence	x2	+	n/a	n/a	II	n/a
Catalina	x1	+	+	+	I or II	+
Clarice	x2	+	+	+	I or II	+
Claude	x1	+	n/a	n/a	II	n/a
Daphne	x2	+	+	+	I or II	+
Degas	n/a	+	n/a	n/a	II	n/a
Elsie	x2	+	n/a	n/a	II	n/a
Florence	x1	+	+	n/a	II	n/a
Hawthorne	n/a	+	n/a	n/a	II	n/a
Hayden	x2	+	n/a	n/a	I or II	n/a
Lyon	x2	+	+	+	I or II	+
Marlo	x1	+	+	+	I or II	+
Marseille	x2	+	+	+	I or II	+
Monaco	n/a	+	n/a	n/a	II	n/a
Olivia	x1	+	+	+	I or II	+
Penelope	x2	+	n/a	n/a	I or II	n/a
Renoir	x2	+	+	+	II	n/a
Sandor	n/a	+	n/a	n/a	II	n/a

* n/a = not available * + = available

*VIBE Sound I = Keypad, VIBE Sound II = Remote Control

Please note for putting together multiple upgrades contact Acritec Customer Service at customerservice@acritec.com.

Freestanding Acrylic Bath Upgrade Compatibility

Products	ComfortWarm™	Roughin EZ	Chromatherapy	Lateral Air	VIBE Sound	Aromatherapy
Sansa	n/a	+	n/a	n/a	II	n/a
Sherin	x1	+	n/a	n/a	I or II	n/a
Theo	x2	+	n/a	n/a	II	n/a
Toulon	x2	+	+	+	I or II	n/a
Tours	x2	+	n/a	n/a	II	n/a
Vanessa (Closed Back)	x2	+	+	n/a	I or II	+
Zaria	n/a	+	n/a	n/a	II	n/a

* n/a = not available * + = available

*VIBE Sound I = Keypad, VIBE Sound II = Remote Control

Please note for putting together multiple upgrades contact Acritec Customer Service at customerservice@acritec.com.

Freestanding Acrylic Bath Upgrade Options

Lateral Air

16 Jet Air System

- White 00021

- Brushed Nickel 00023

- Polished Chrome 00024

- Remote control for air blower 00133

- Remote Location kit for air blower (12' extra cable & hose) 00131

Sound Deadening Pump Pad 00160

Variable Air Blower (Replacement) 00180

Custom Jet System 00155



Freestanding Acrylic Bath Upgrade Options

Chromatherapy Lights	Part #
2 x White Finish	01020
2 x Chrome Finish	01021



VIBE Sound System	
VIBE I + Chromatherapy Lights	
2x Speakers + 2x Chromatherapy Lights (White Finish) + Advanced Keypad	01022
2x Speakers + 2x Chromatherapy Lights (Chrome Finish) + Advanced Keypad	01023
VIBE II + Chromatherapy Lights (For Most Freestanding Tubs)	
2x Speakers + 2x Chromatherapy Lights (White Finish) + Remote Control	01024
2x Speakers + 2x Chromatherapy Lights (Chrome Finish) + Remote Control	01025



Aromatherapy System	
Diffuser System + Keypad	01030



ComfortWarm™	Part #
1x ComfortWarm™ Heated Backrest (70W)	01040-01
2x ComfortWarm™ Heated Backrests (2x35W)	01040-02

Roughin EZ	
Easy installation drain kit	01086

Roughin EZ

The Roughin EZ Drain provides an easy way to install a free standing bathtub. Kit includes a reusable test plug, twist lock coupling, brass tailpiece, nut and flat washer.



Freestanding Acrylic Bath Accessories

Popup Drain Only (for slotted freestanding tubs) Part #

Polished Chrome	01089
Brushed Nickel	01091
Matte Black	01092
Oil Rubbed Bronze	01093
Polished Gold	01094
White	01095
Brass Assembly	01098
Drain Stopper (Replacement)	01099



Popup Drain + Overflow Cover Plate Part #

Polished Chrome	01085
Brushed Nickel	01080
Matte Black	01084
Oil Rubbed Bronze	01079
Polished Gold	01078



*Overflow cover plate for upgraded finishes need to be factory installed.

Freestanding Acrylic Bath Accessories Compatibility

Products	Upgraded Finishes				
	Chrome	Brushed Nickel	Black	Oil Rubbed Bronze	Gold
Antoine	+	+	+	+	+
Arya	+	+	+	+	+
Bianca	+	+	+	+	+
Cadence	+	+	+	+	+
Catalina	+	+	+	+	+
Clarice	+	+	+	+	+
Claude 54/59	+	+	+	+	+
Daphne	+	+	+	+	+
Degas	+	+	+	+	+
Elsie	+	+	+	+	+
Florence	+	+	+	+	+
Hawthorne	+	+	+	+	+
Hayden	+	+	+	+	+
Lyon	+	+	+	+	+
Marlo	+	+	+	+	+
Marseille	+	+	+	+	+
Monaco	+	+	+	+	+
Olivia	+	+	+	+	+
Penelope	+	+	+	+	+
Renoir 59/67	+	+	+	+	+
Sandor	+	+	+	+	+
Sansa	+	+	+	+	+
Sherin	+	+	+	+	+
Theo	+	+	+	+	+
Toulon	+	+	+	+	+
Tours	+	+	+	+	+
Vanessa (Closed Back)	+	+	+	+	+
Zaria	+	+	+	+	+

* n/a = not available * + = available

Freestanding Cast Iron Bath Accessories

Waste & Overflow Chrome

Part #: 01060

Chrome waste & overflow kit

CLICKER and PLUG & CHAIN

Freestanding Cast Iron Bath Upgrades & Accessories Compatibility

Products	Waste & Overflow (Chrome)
Kraken	+
Lusca	+
Makara	+

* n/a = not available * + = available



Freestanding Composite Bath Upgrade Compatibility

Products	n/a
Aida	n/a
Delfina	n/a
Juliet	n/a
Justina	n/a
Poeta	n/a
Gauguin	n/a
Palermo	n/a
Sicilian	n/a

* n/a = not available * + = available

4 | Freestanding Baths
Upgrades & Accessories



08010

Pillow | Contoured | Compatible with all Acritec baths

Dimensions

11 $\frac{7}{8}$ " x 4 $\frac{3}{8}$ "

Colour

Black



08012

Pillow | Premium | Compatible with all Acritec baths

Dimensions

11 $\frac{1}{2}$ " x 6 $\frac{1}{2}$ "

Colour

Black



08014

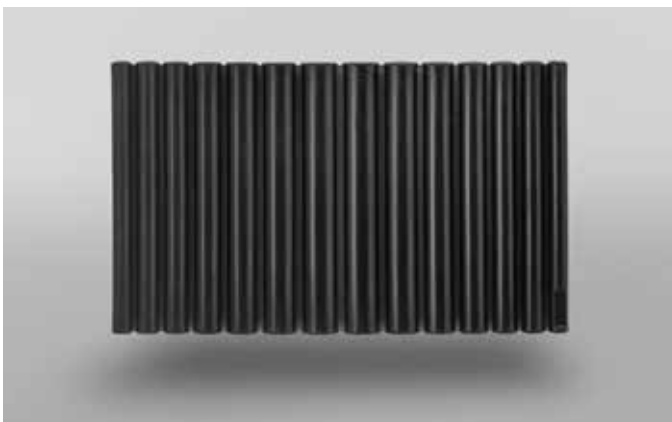
Pillow | Contoured | For baths with rounded backrests

Dimensions

11 $\frac{1}{2}$ " x 3 $\frac{1}{8}$ "

Colour

Black



08016

Pillow | Premium | Compatible with all Acritec baths

Dimensions

15 $\frac{3}{4}$ " x 10 $\frac{1}{4}$ "

Colour

Black



Antoine

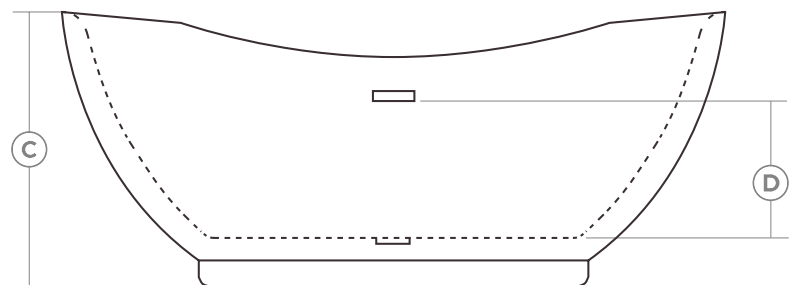
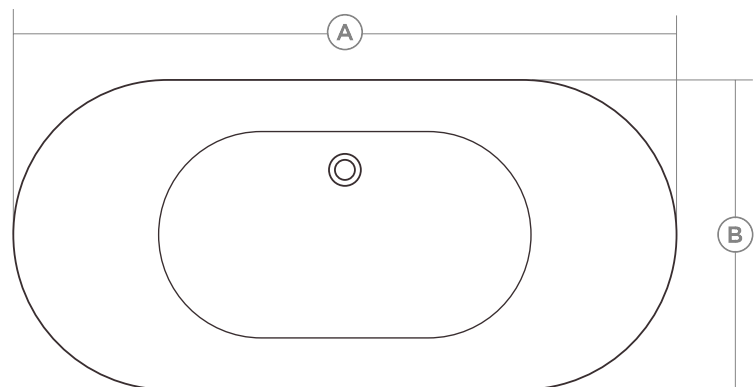
Part # 44369

Features

- Seamless one-piece design
- Overflow plate included
- Clicker style pop-up drain
- Flow through style drain
- Internal steel frame
- Adjustable legs

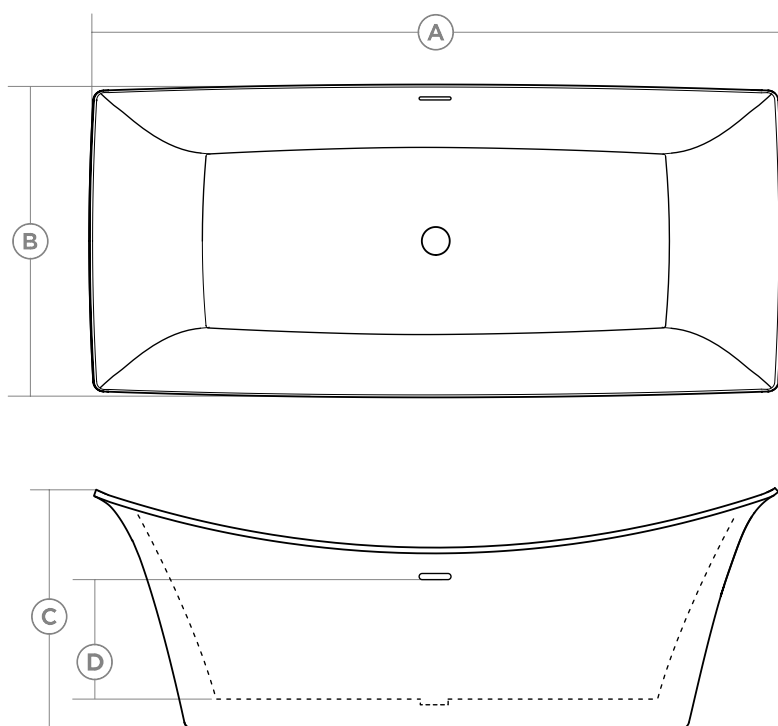
Upgrades (See pg. 3-12 for details)

- Chromatherapy
- Roughin EZ Drain
- 2 x ComfortWarm™
- VIBE Sound
- Colored drain options available
(See pg. 8-9 in this section)



A Length	B Width	C Height	D Immersion Depth
66 ¼"	31 ⅛"	28 ¾"	14"

4 | Freestanding Baths
Acrylic



Arya

Part # 44317

Features

- Seamless one-piece design
- Slotted overflow
- Clicker style pop-up drain
- Flow through style drain
- Internal steel frame
- Adjustable legs

Upgrades (See pg. 3-12 for details)

- Roughin EZ Drain
- VIBE Sound
- Colored drain options available (See pg. 8-9 in this section)

A Length	B Width	C Height	D Immersion Depth
68 ½"	30 7/8"	30 ¼"	14"



Bianca

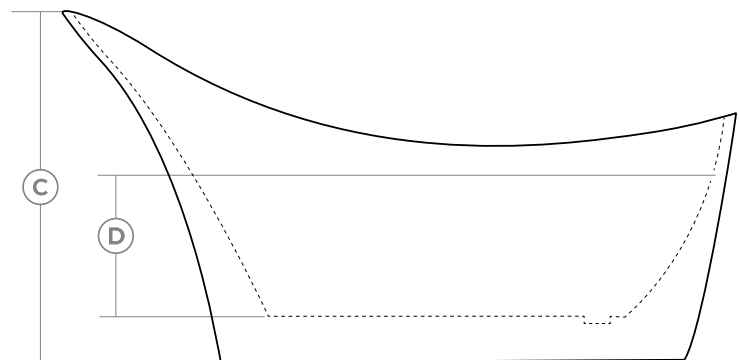
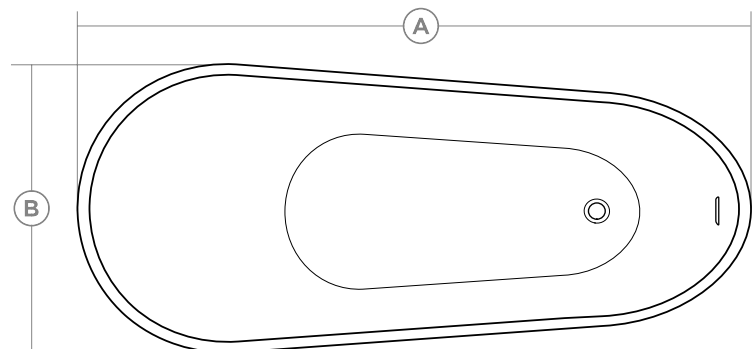
Part # 44345

Features

- Seamless one-piece design
- Slotted overflow
- Clicker style pop-up drain
- Flow through style drain
- Internal steel frame
- Adjustable legs

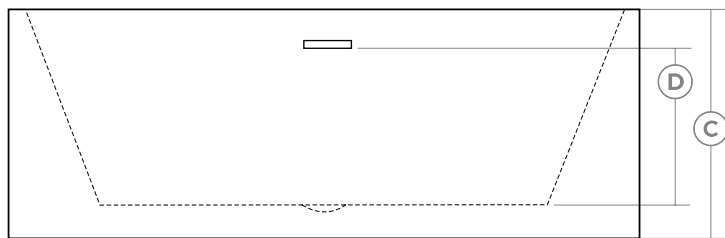
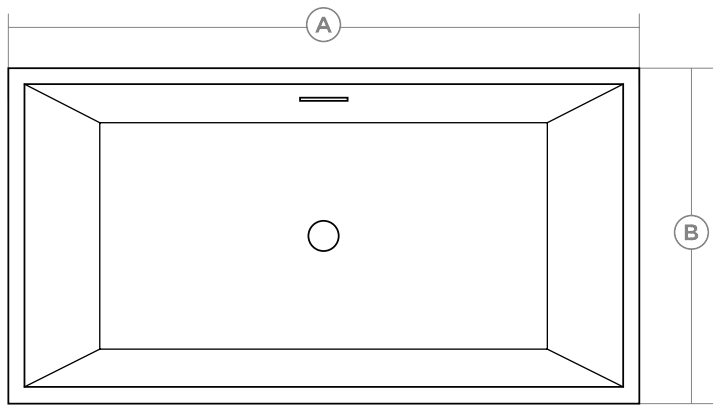
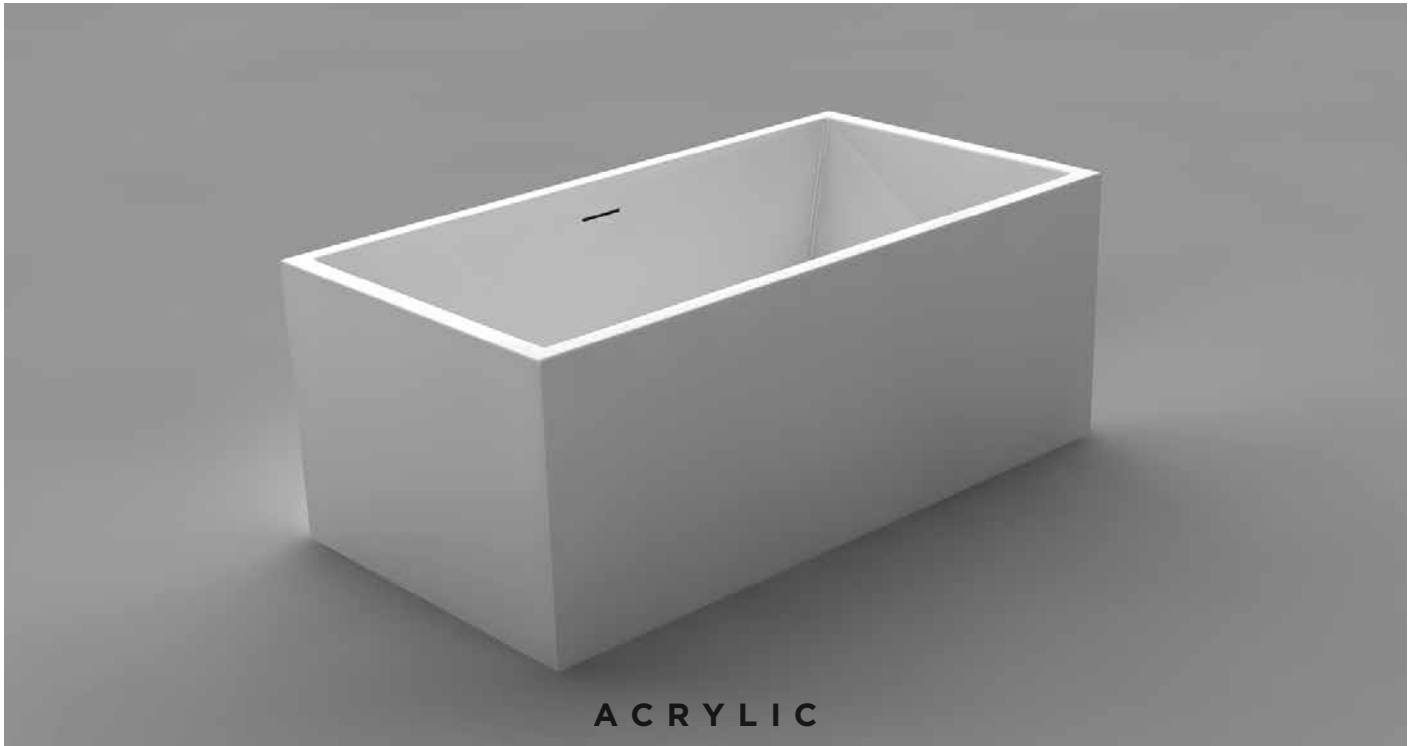
Upgrades (See pg. 3-12 for details)

- Roughin EZ Drain
- VIBE Sound
- Colored drain options available
(See pg. 8-9 in this section)



A Length	B Width	C Height	D Immersion Depth
67"	29"	33"	15"

4 | Freestanding Baths
Acrylic



A Length	B Width	C Height	D Immersion Depth
59"	31 1/2"	23 5/8"	15 1/4"

Cadence

Part # 44403

Features

- Seamless one-piece design
- Slotted overflow
- Clicker style pop-up drain
- Flow through style drain
- Internal steel frame
- Adjustable legs

Upgrades (See pg. 3-12 for details)

- Roughin EZ Drain
- 2 x ComfortWarm™
- VIBE Sound
- Colored drain options available (See pg. 8-9 in this section)



Catalina

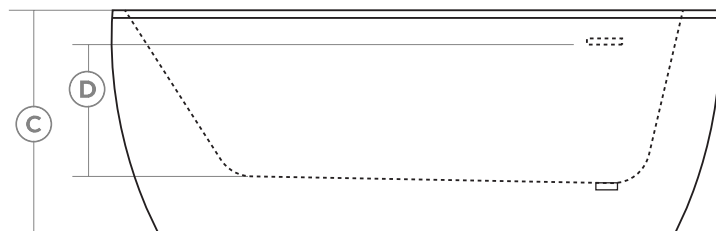
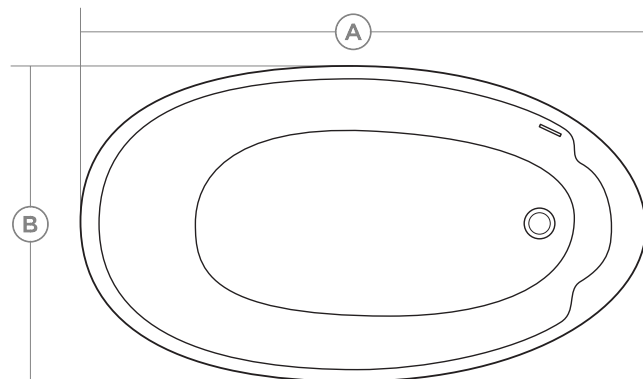
Part # 44425

Features

- Seamless one-piece design
- Slotted overflow
- Clicker style pop-up drain
- Deck mount faucet compatible
- Flow through style drain
- Internal steel frame
- Adjustable legs

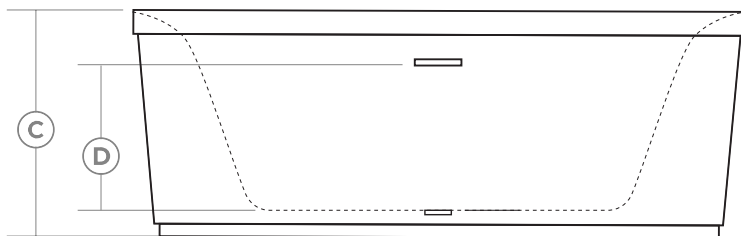
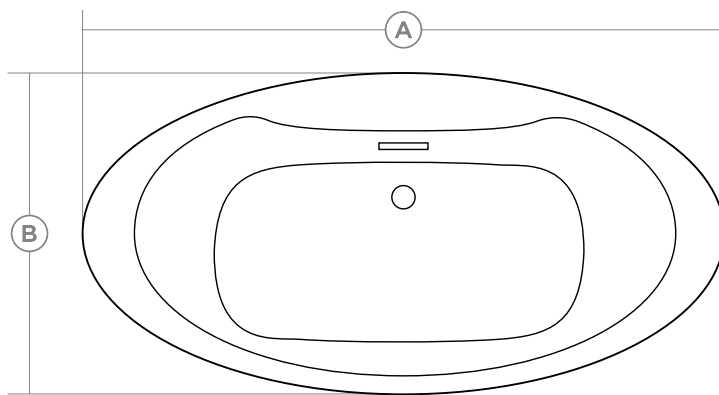
Upgrades (See pg. 3-12 for details)

- Chromatherapy
 - Lateral Air
 - Roughin EZ Drain
 - ComfortWarm™
 - VIBE Sound
 - Aromatherapy
 - Colored drain options available
- (See pg. 8-9 in this section)



A Length	B Width	C Height	D Immersion Depth
63"	35 1/2"	22 7/8"	14 3/4"

4 | Freestanding Baths
Acrylic



A Length	B Width	C Height	D Immersion Depth
67"	33 1/2"	23 1/4"	14 1/2"

Clarice

Part # 44407

Features

- Two-piece design
- Slotted overflow
- Clicker style pop-up drain
- Deck mount faucet compatible
- Flow through style drain
- Internal steel frame
- Adjustable legs

Upgrades (See pg. 3-12 for details)

- Chromatherapy
- Lateral Air
- Roughin EZ Drain
- 2 x ComfortWarm™
- VIBE Sound
- Aromatherapy
- Colored drain options available
 (See pg. 8-9 in this section)



Claude

Part

54" - 44330

59" - 44331

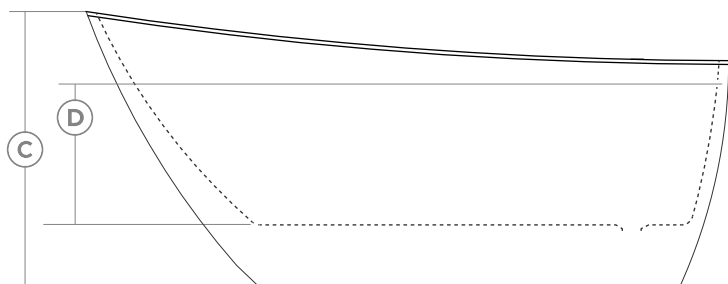
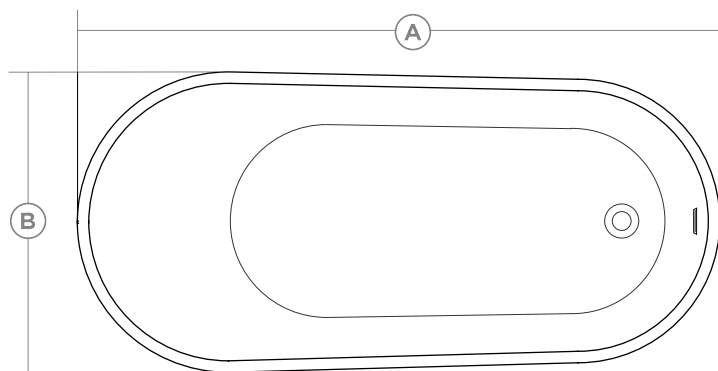
44331-BLK

Features

- Seamless one-piece design
- Slotted overflow
- Clicker style pop-up drain
- Flow through style drain
- Internal steel frame
- Adjustable legs

Upgrades (See pg. 3-12 for details)

- Roughin EZ Drain
- 1 x ComfortWarm™
- VIBE Sound
- Colored drain options available
(See pg. 8-9 in this section)



A Length	B Width	C Height	D Immersion Depth
54"	31 1/8"	28 3/8"	14 1/2"
59"	28"	27 3/4"	15 1/4"

4 | Freestanding Baths
Acrylic



Daphne

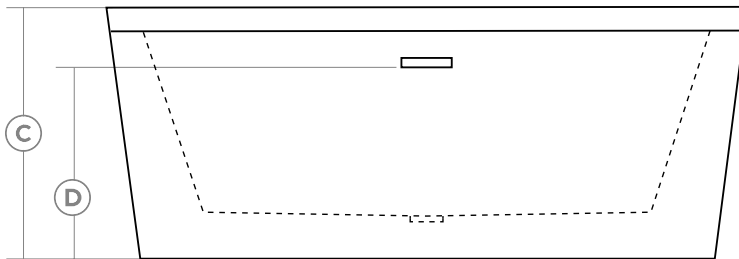
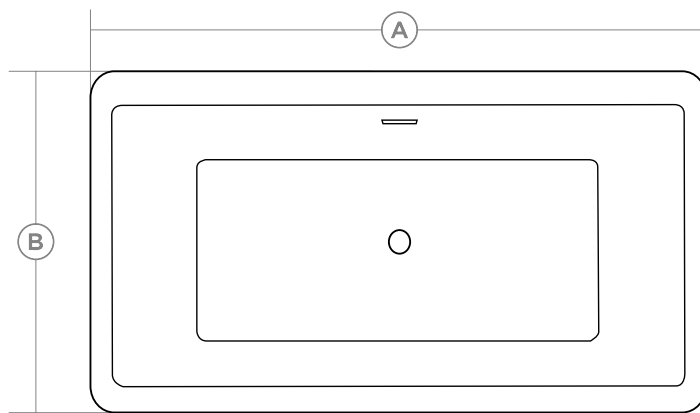
Part # 44408

Features

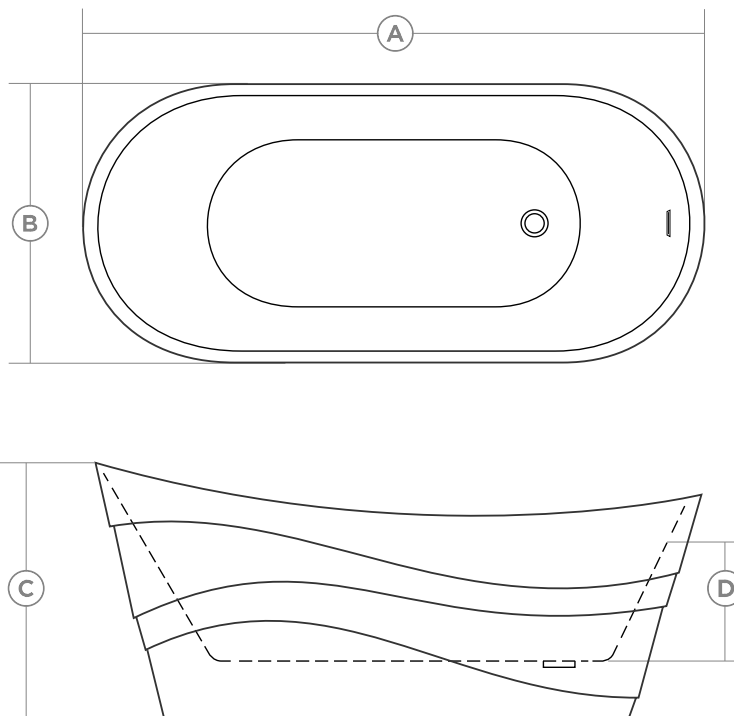
- Two-piece design
- Slotted overflow
- Clicker style pop-up drain
- Deck mount faucet compatible
- Flow through style drain
- Internal steel frame
- Adjustable legs

Upgrades (See pg. 3-12 for details)

- Chromatherapy
- Lateral Air
- Roughin EZ Drain
- 2 x ComfortWarm™
- VIBE Sound
- Aromatherapy
- Colored drain options available
 (See pg. 8-9 in this section)



A Length	B Width	C Height	D Immersion Depth
67"	33 1/2"	22 7/8"	14 1/2"



A Length	B Width	C Height	D Immersion Depth
67"	29 1/2"	28 3/8"	15"

Degas

Part # 46055

Features

- Seamless one-piece design
- Slotted overflow
- Clicker style pop-up drain
- Flow through style drain
- Internal steel frame
- Adjustable legs

Upgrades (See pg. 3-12 for details)

- Roughin EZ Drain
- VIBE Sound
- Colored drain options available
(See pg. 8-9 in this section)

4 | Freestanding Baths
Acrylic



Elsie

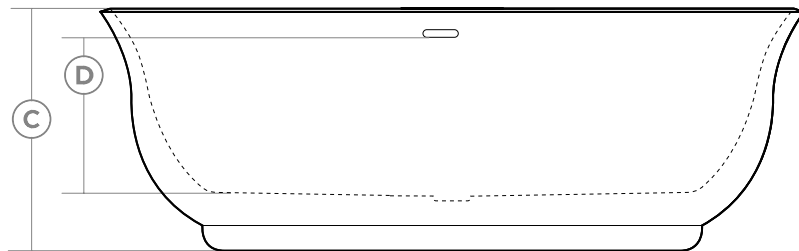
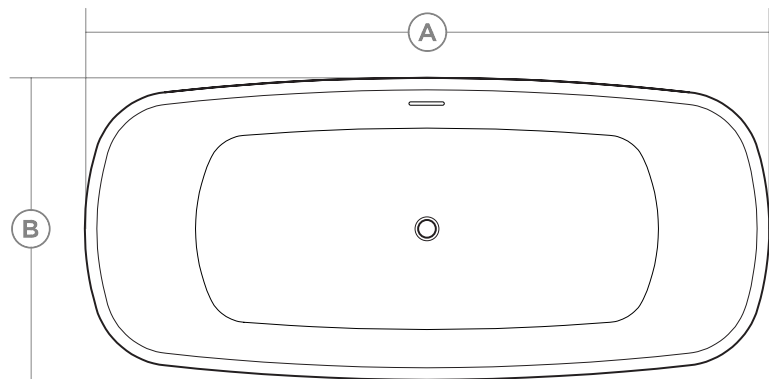
Part # 44352

Features

- Seamless one-piece design
- Slotted overflow
- Clicker style pop-up drain
- Flow through style drain
- Internal steel frame
- Adjustable legs

Upgrades (See pg. 3-12 for details)

- Roughin EZ Drain
- 2 x ComfortWarm™
- VIBE Sound
- Colored drain options available
 (See pg. 8-9 in this section)



A Length	B Width	C Height	D Immersion Depth
66 7/8"	29 1/2"	22 7/8"	14 1/4"



Florence

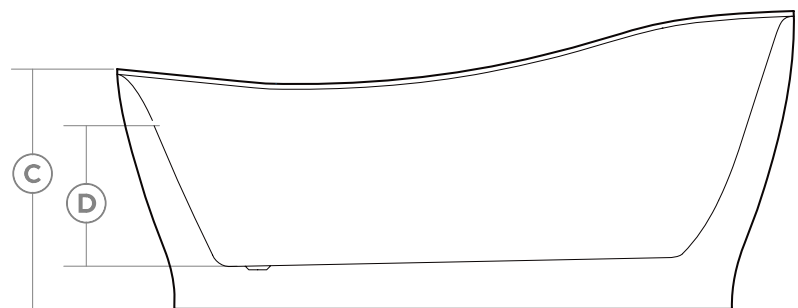
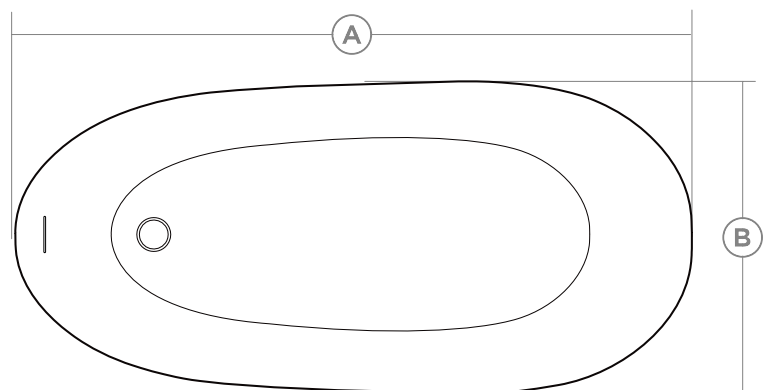
Part # 44480

Features

- Seamless one-piece design
- Slotted overflow
- Clicker style pop-up drain
- Flow through style drain
- Internal steel frame
- Adjustable legs

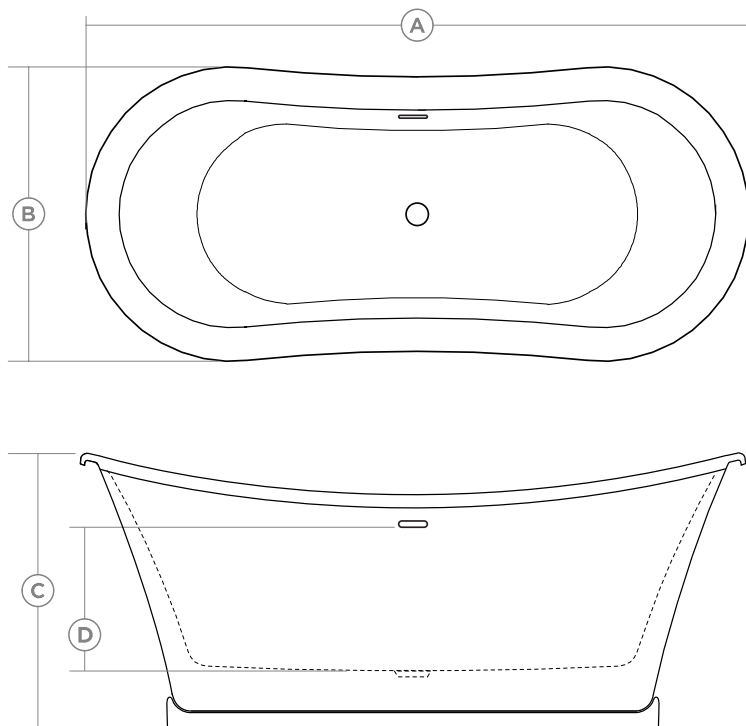
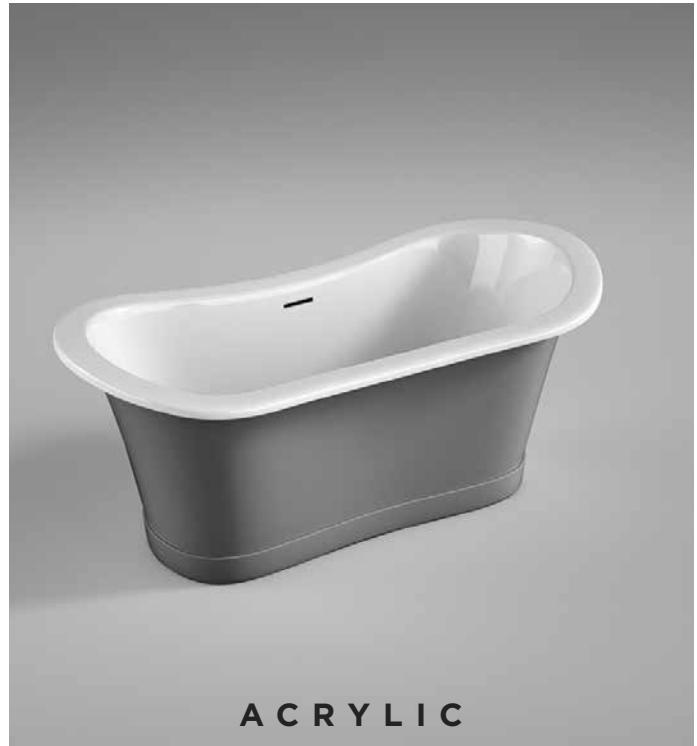
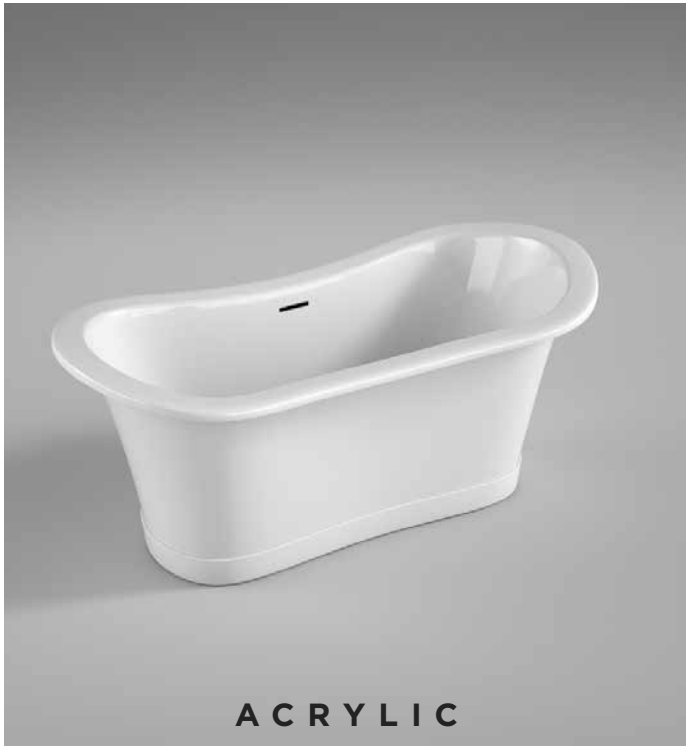
Upgrades (See pg. 3-12 for details)

- Chromotherapy
- Roughin EZ Drain
- ComfortWarm™
- VIBE Sound
- Colored drain options available
(See pg. 8-9 in this section)



A Length	B Width	C Height	D Immersion Depth
70 7/8"	31 1/2"	31 1/2"	15 1/2"

4 | Freestanding Baths
Acrylic



A Length	B Width	C Height	D Immersion Depth
67"	29 ½"	27"	14"

Hawthorne

Part #

White - 44361

Grey - 44362

Features

- Seamless one-piece design
- White or Grey finish
- Slotted overflow
- Clicker style pop-up drain
- Flow through style drain
- Internal steel frame
- Adjustable legs

Upgrades (See pg. 3-12 for details)

- Roughin EZ Drain
- VIBE Sound
- Colored drain options available
 (See pg. 8-9 in this section)



Hayden

Part

White - 44347

Gold - 44347-06

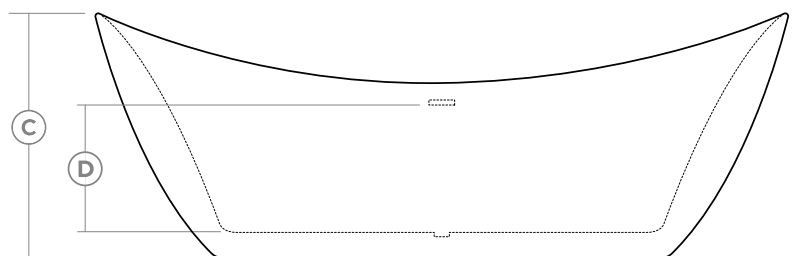
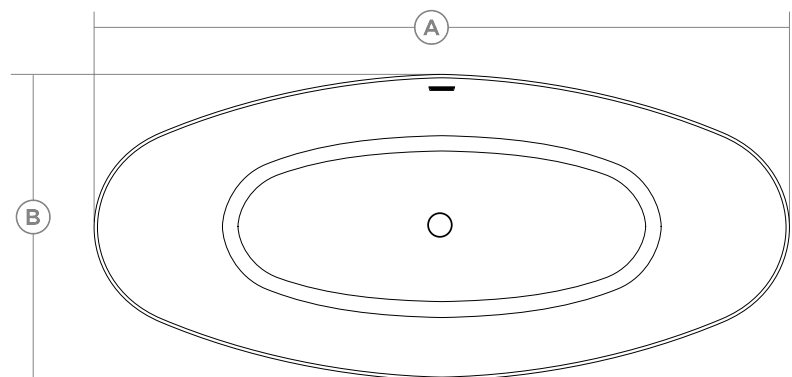
Silver - 44347-05

Features

- Seamless one-piece design
- Slotted overflow
- Clicker style pop-up drain
- Flow through style drain
- Internal steel frame
- Adjustable legs

Upgrades (See pg. 3-12 for details)

- Roughin EZ Drain
 - 2 x ComfortWarm™
 - VIBE Sound
 - Colored drain options available
- (See pg. 8-9 in this section)



A Length	B Width	C Height	D Immersion Depth
68 ¼"	28 ½"	29 ¾"	14"

4 | Freestanding Baths
Acrylic





ACRYLIC

Lyon
White Finish
44271

4 | Freestanding Baths
Acrylic



Lyon

Part #

44271

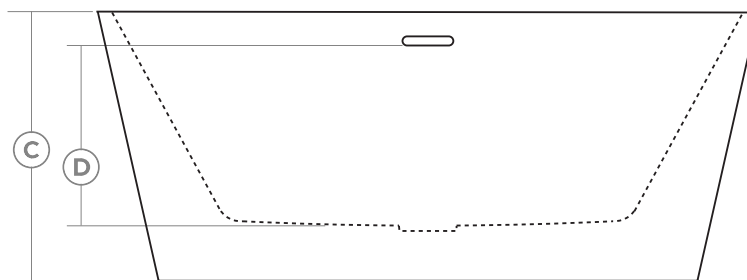
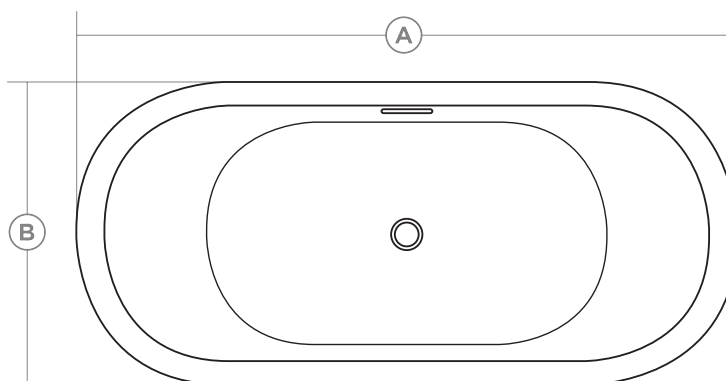
44271_Black

Features

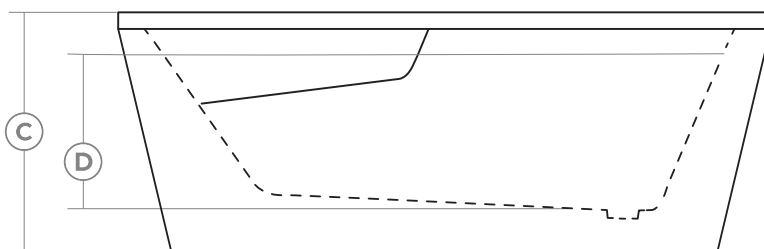
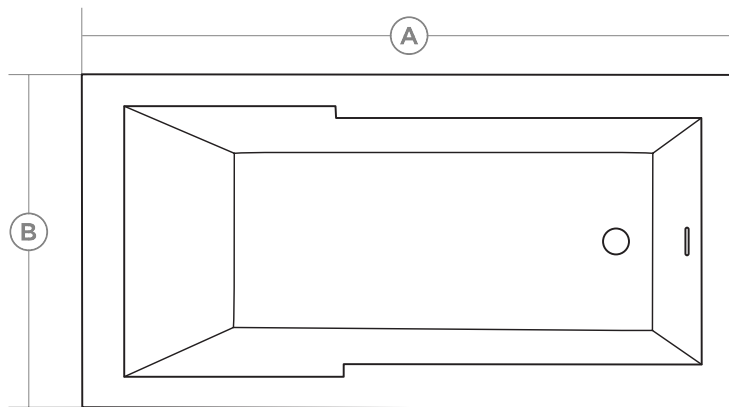
- Seamless one-piece design
- White or White with Black Skirt
- Gloss finish
- Slotted overflow
- Clicker style pop-up drain
- Flow through style drain
- Internal steel frame
- Adjustable legs

Upgrades (See pg. 3-12 for details)

- Chromatherapy
- Lateral Air
- Roughin EZ Drain
- 2 x ComfortWarm™
- VIBE Sound
- Aromatherapy
- Colored drain options available
(See pg. 8-9 in this section)



A Length	B Width	C Height	D Immersion Depth
66 7/8"	31 1/4"	23 1/2"	14 7/8"



A Length	B Width	C Height	D Immersion Depth
59 7/8"	31 7/8"	23 5/8"	15 3/4"

Marlo

Part # 44343

Features

- Two-piece design
- Slotted overflow
- Clicker style pop-up drain
- Deck mount faucet compatible
- Flow through style drain
- Internal steel frame
- Adjustable legs

Upgrades (See pg. 3-12 for details)

- Chromatherapy
- Lateral Air
- Roughin EZ Drain
- ComfortWarm™
- VIBE Sound
- Aromatherapy
- Colored drain options available
(See pg. 8-9 in this section)

**4 | Freestanding Baths
Acrylic**



Marseille

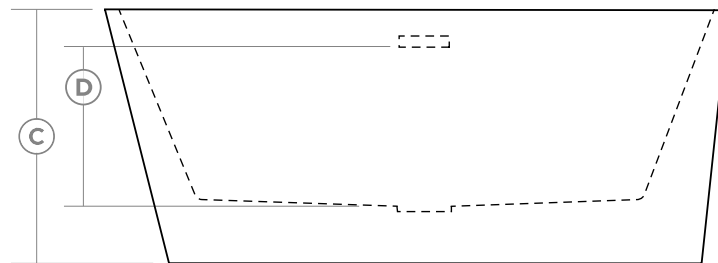
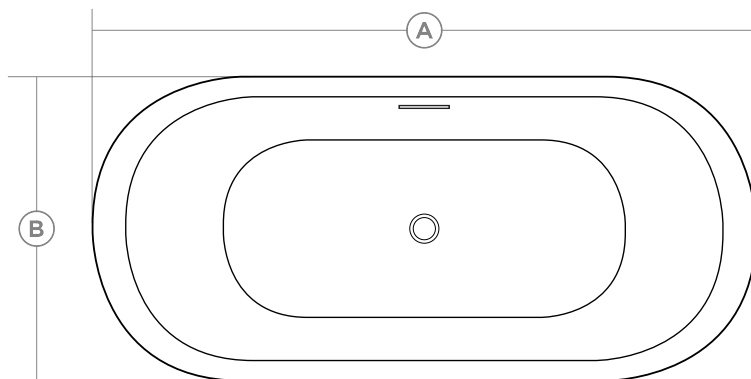
Part # 44351

Features

- Seamless one-piece design
- Slotted overflow
- Clicker style pop-up drain
- Flow through style drain
- Internal steel frame
- Adjustable legs

Upgrades (See pg. 3-12 for details)

- Chromatherapy
- Lateral Air
- Roughin EZ Drain
- 2 x ComfortWarm™
- VIBE Sound
- Aromatherapy
- Colored drain options available
(See pg. 8-9 in this section)



A Length	B Width	C Height	D Immersion Depth
62 5/8"	29 5/8"	22 1/2"	14 1/4"



Monaco

Part

54" - 44457

59" - 44459

44459-BLK

63" - 44460

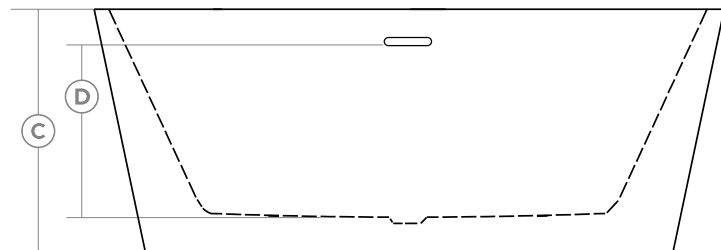
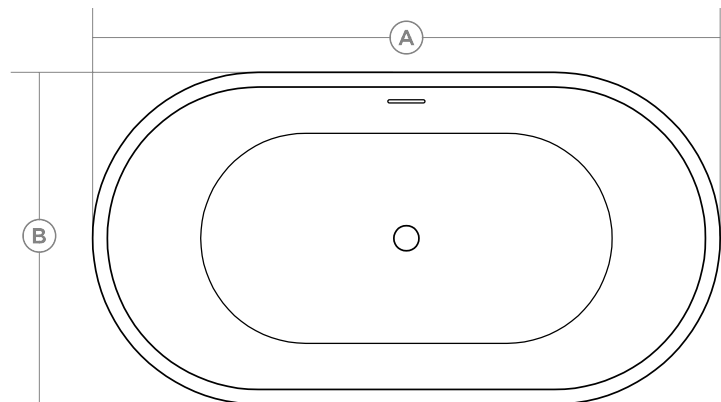
67" - 44462

Features

- Seamless one-piece design
- Slotted overflow
- Clicker style pop-up drain
- Flow through style drain
- Internal steel frame
- Adjustable legs

Upgrades (See pg. 3-12 for details)

- Roughin EZ Drain
- VIBE Sound
- Colored drain options available
(See pg. 8-9 in this section)



A Length	B Width	C Height	D Immersion Depth
53 ¾"	31 ½"	23 ⅝"	15 ½"
59"	31 ½"	23 ⅝"	15 ¼"
63"	31 ⅜"	23 ⅝"	15 ⅞"
66 ⅞"	31 ½"	23 ⅝"	15 ½"

**4 | Freestanding Baths
Acrylic**



Olivia

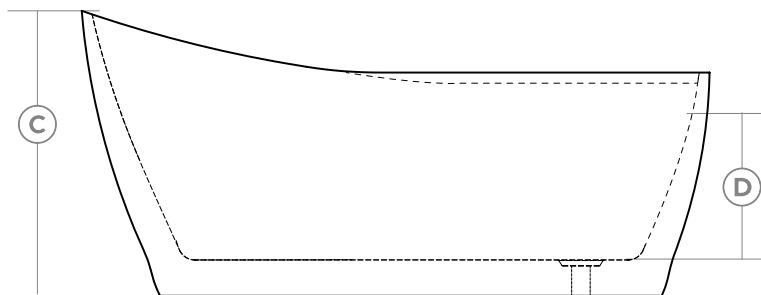
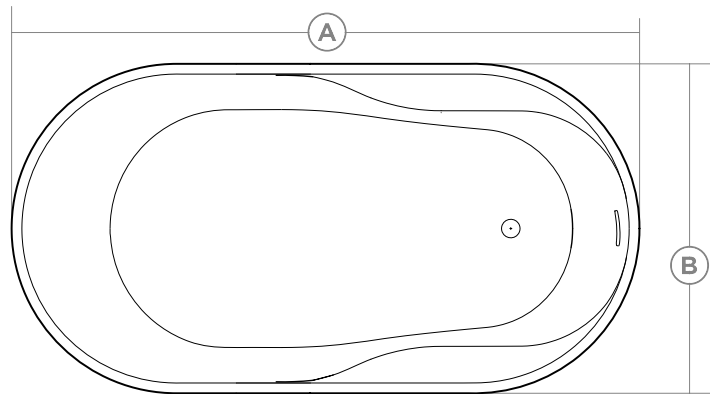
Part # 44329

Features

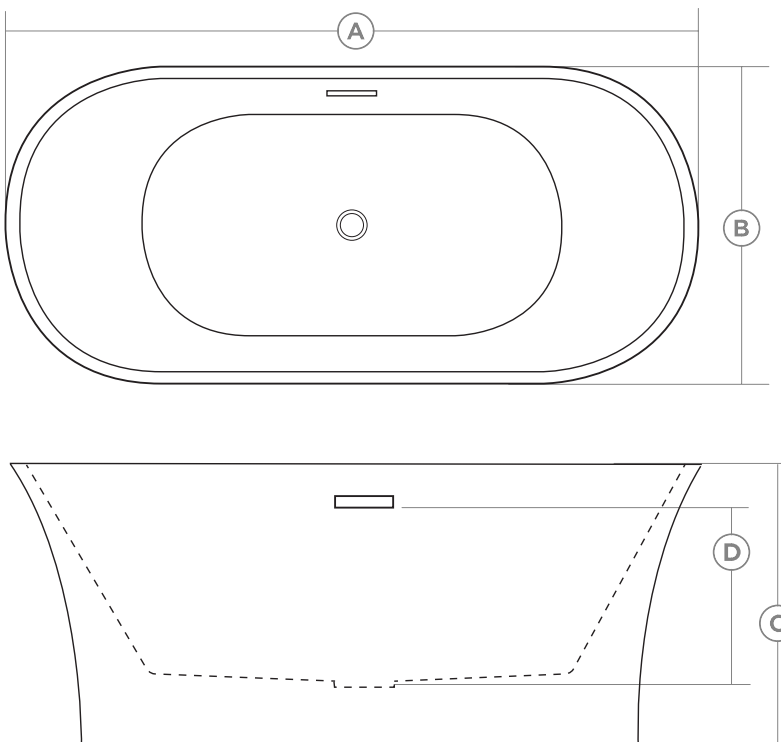
- Seamless one-piece design
- Slotted overflow
- Clicker style pop-up drain
- Deckmount faucet compatible
- Flow through style drain
- Internal steel frame
- Adjustable legs

Upgrades (See pg. 3-12 for details)

- Chromatherapy
- Lateral Air
- Roughin EZ Drain
- ComfortWarm™
- VIBE Sound
- Aromatherapy
- Colored drain options available
(See pg. 8-9 in this section)



A Length	B Width	C Height	D Immersion Depth
60"	31 ½"	30"	15 ¾"



A Length	B Width	C Height	D Immersion Depth
66 ¼"	31 ½"	23 ⅝"	15"

Penelope

Part # 44471

44471BLK

Features

- Seamless one-piece design
- Slotted overflow
- Clicker style pop-up drain
- Flow through style drain
- Internal steel frame
- Adjustable legs

Upgrades (See pg. 3-12 for details)

- Roughin EZ Drain
- 2 x ComfortWarm™
- VIBE Sound
- Colored drain options available
(See pg. 8-9 in this section)

4 | Freestanding Baths
Acrylic



Renoir

Part #

59" - 44313

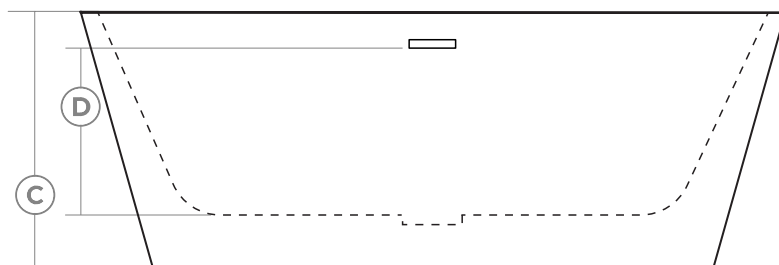
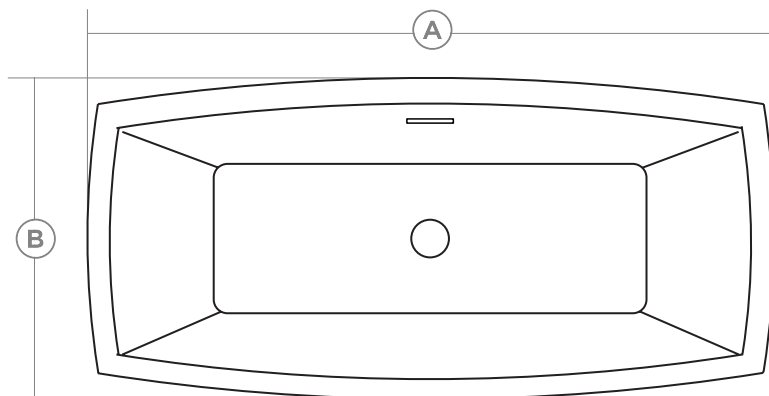
67" - 44315

Features

- Seamless one-piece design
- Slotted overflow
- Clicker style pop-up drain
- Flow through style drain
- Internal steel frame
- Adjustable legs

Upgrades (See pg. 3-12 for details)

- Chromatherapy
- Lateral Air
- Roughin EZ Drain
- 2 x ComfortWarm™
- VIBE Sound
- Aromatherapy
- Colored drain options available
 (See pg. 8-9 in this section)



A Length	B Width	C Height	D Immersion Depth
59"	29 ½"	23 ½"	15 ⅝"
67"	31 ⅞"	23 ½"	15 ⅝"



Sandor

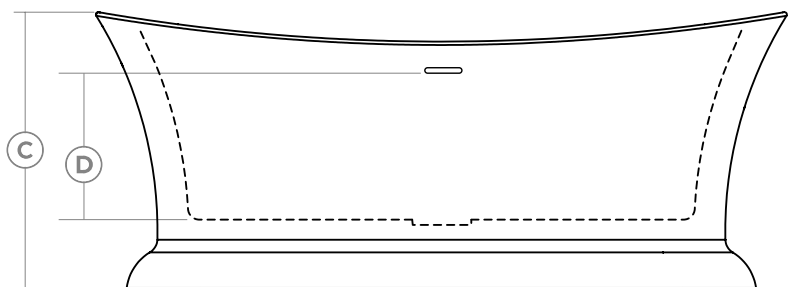
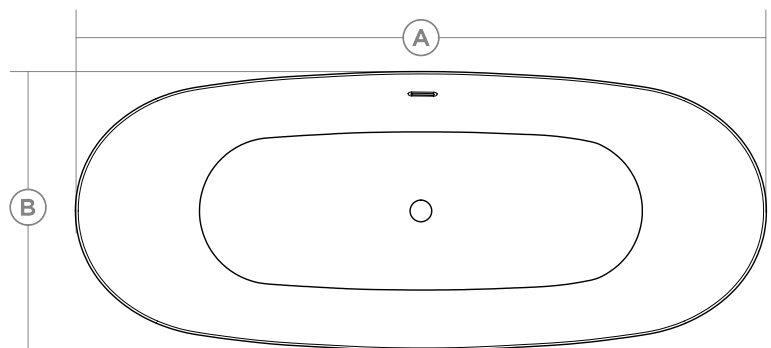
Part # 44337

Features

- Seamless one-piece design
- Slotted overflow
- Clicker style pop-up drain
- Flow through style drain
- Internal steel frame
- Adjustable legs

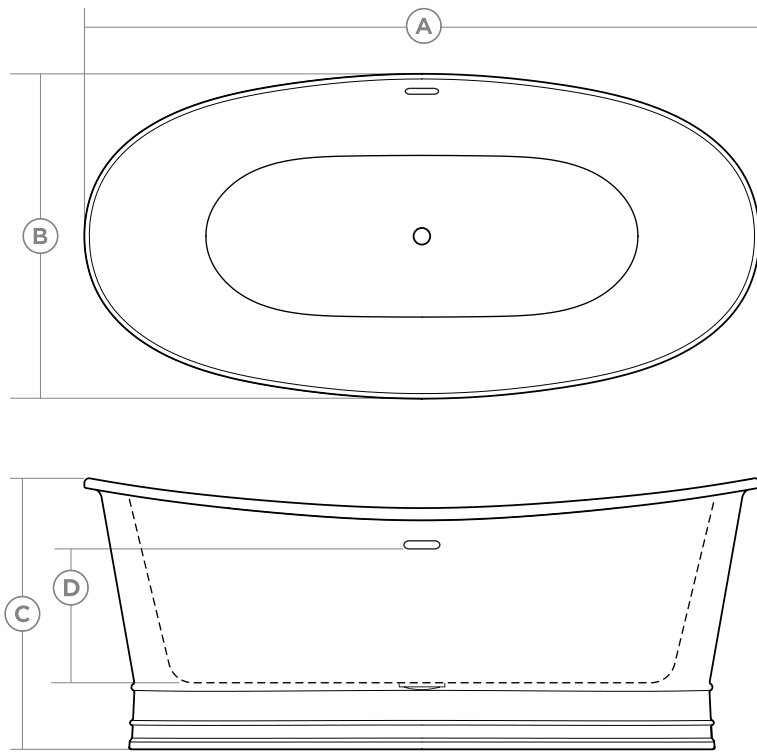
Upgrades (See pg. 3-12 for details)

- Roughin EZ Drain
- VIBE Sound
- Colored drain options available
(See pg. 8-9 in this section)



A Length	B Width	C Height	D Immersion Depth
68 ¾"	31"	27 ⅜"	14"

4 | Freestanding Baths
Acrylic



Sansa

Part # 44327

Features

- Seamless one-piece design
- Slotted overflow
- Clicker style pop-up drain
- Flow through style drain
- Internal steel frame
- Adjustable legs

Upgrades (See pg. 3-12 for details)

- Roughin EZ Drain
 - VIBE Sound
 - Colored drain options available
- (See pg. 8-9 in this section)

A Length	B Width	C Height	D Immersion Depth
69"	31 1/8"	27"	14"



Sherin

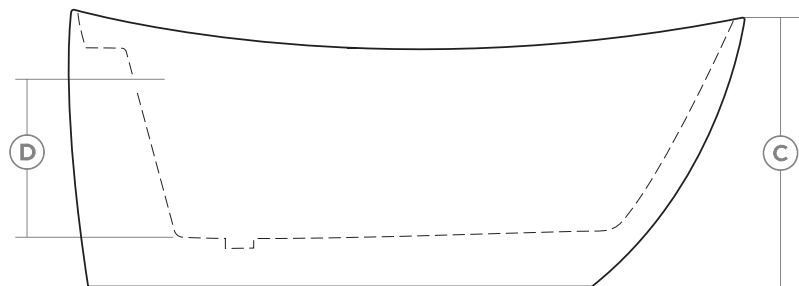
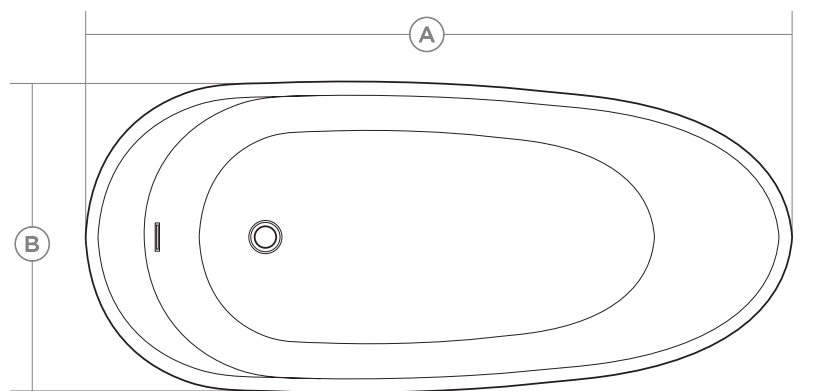
Part # 44333

Features

- Seamless one-piece design
- Slotted overflow
- Deck mount faucet compatible
- Clicker style pop-up drain
- Flow through style drain
- Internal steel frame
- Adjustable legs

Upgrades (See pg. 3-12 for details)

- Roughin EZ Drain
- ComfortWarm™
- VIBE Sound
- Colored drain options available
(See pg. 8-9 in this section)



A Length	B Width	C Height	D Immersion Depth
67"	29 ½"	27 ½"	16"

**4 | Freestanding Baths
Acrylic**



Theo

Part #

White Skirt - 44377

Gold Skirt - 44377-06

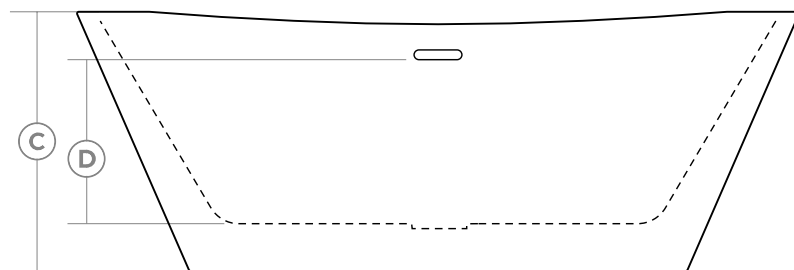
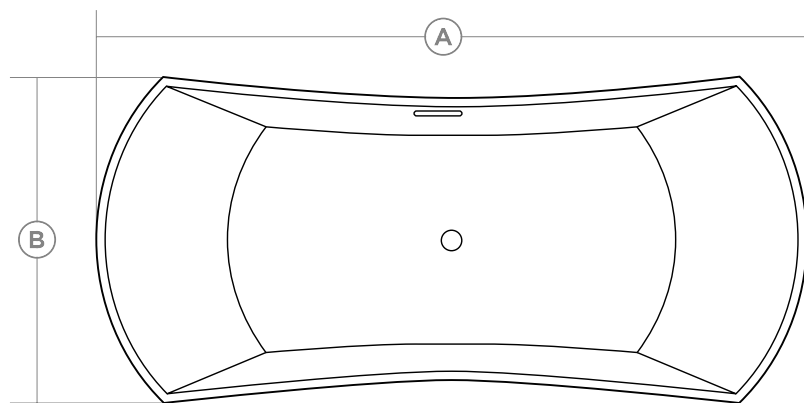
Silver Skirt - 44377-05

Features

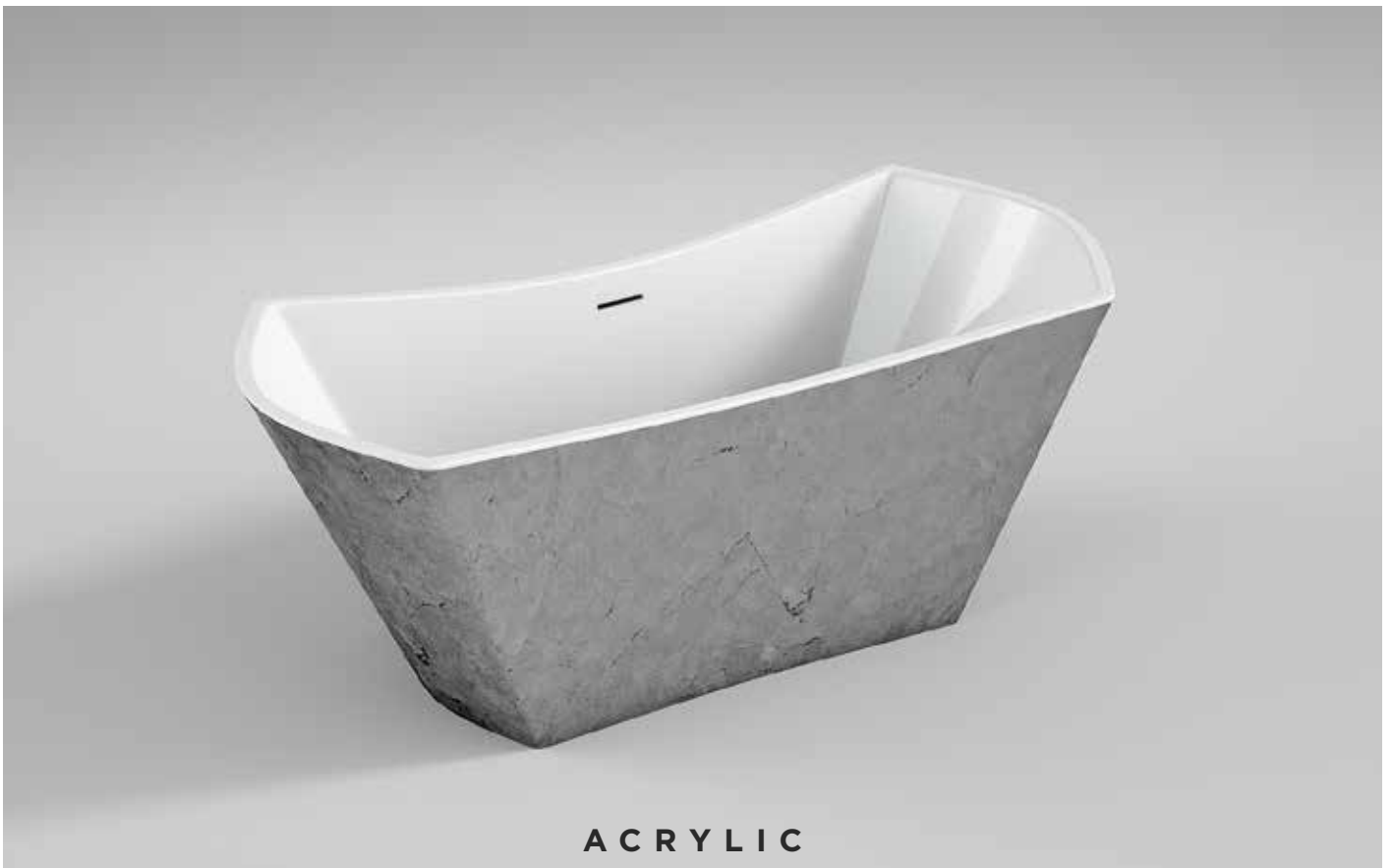
- Seamless one-piece design
- White / Gold / Silver finish
- Slotted overflow
- Clicker style pop-up drain
- Flow through style drain
- Internal steel frame
- Adjustable legs

Upgrades (See pg. 3-12 for details)

- Roughin EZ Drain
- 2 x ComfortWarm™
- VIBE Sound
- Colored drain options available
(See pg. 8-9 in this section)



A Length	B Width	C Height	D Immersion Depth
68 ½"	31 ½"	26 ¾"	15 ¾"



**4 | Freestanding Baths
Acrylic**



Toulon

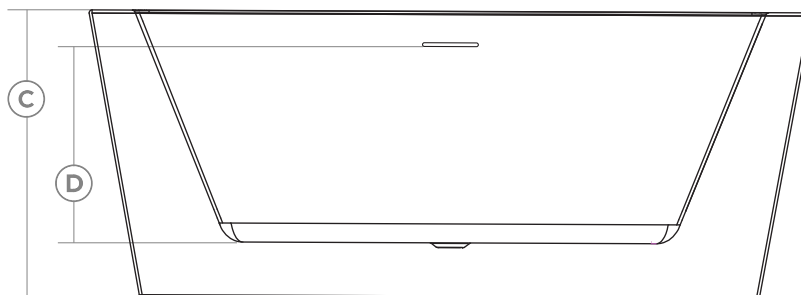
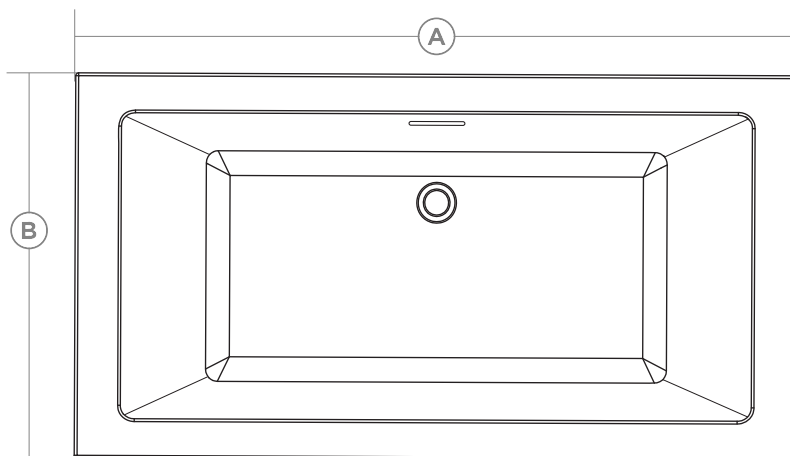
Part # 44466

Features

- Seamless one-piece design
- Slotted overflow
- Clicker style pop-up drain
- Deck mount faucet compatible
- Flow through style drain
- Internal steel frame
- Adjustable legs

Upgrades (See pg. 3-12 for details)

- Roughin EZ Drain
- 2 x ComfortWarm™
- VIBE Sound
- Colored drain options available
(See pg. 8-9 in this section)



A Length	B Width	C Height	D Immersion Depth
59"	31 1/2"	23 5/8"	16"



Tours

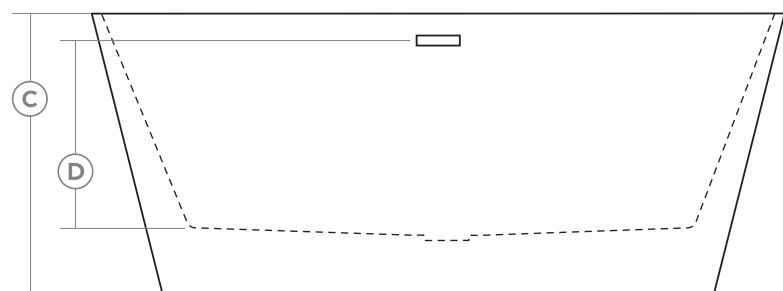
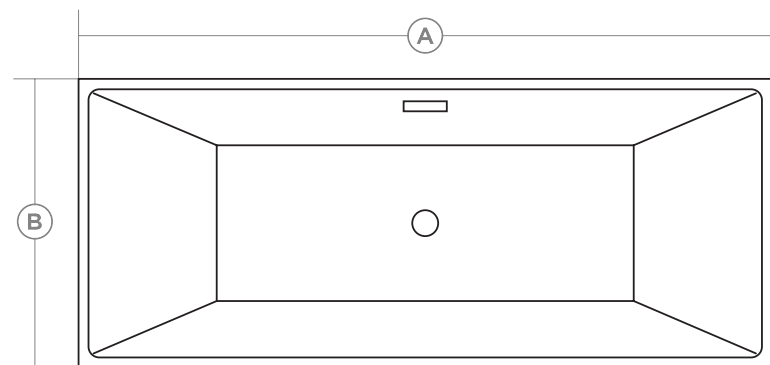
Part # 44322

Features

- Seamless one-piece design
- Slotted overflow
- Clicker style pop-up drain
- Flow through style drain
- Internal steel frame
- Adjustable legs

Upgrades (See pg. 3-12 for details)

- Roughin EZ Drain
- 2 x ComfortWarm™
- VIBE Sound
- Colored drain options available
(See pg. 8-9 in this section)



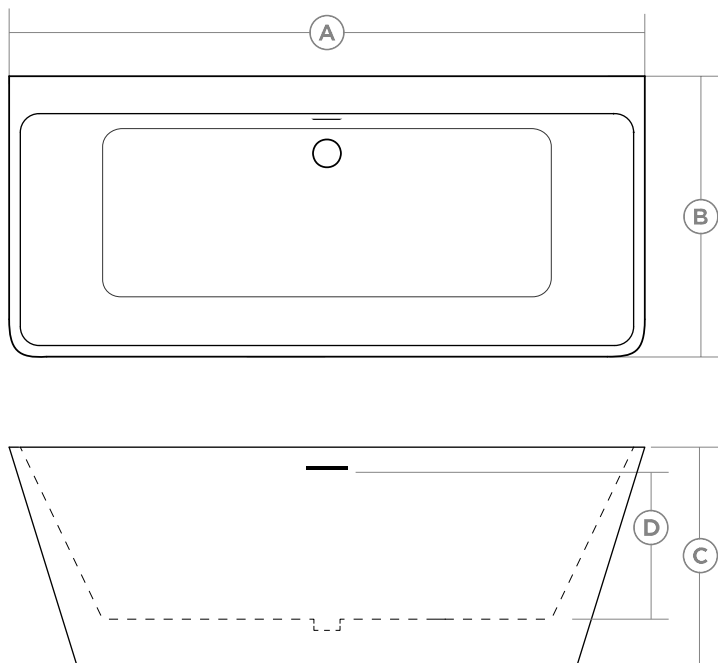
A Length	B Width	C Height	D Immersion Depth
66 ¾"	31 ½"	23 ¼"	16"

4 | Freestanding Baths
Acrylic



Vanessa

Part # 44335.1



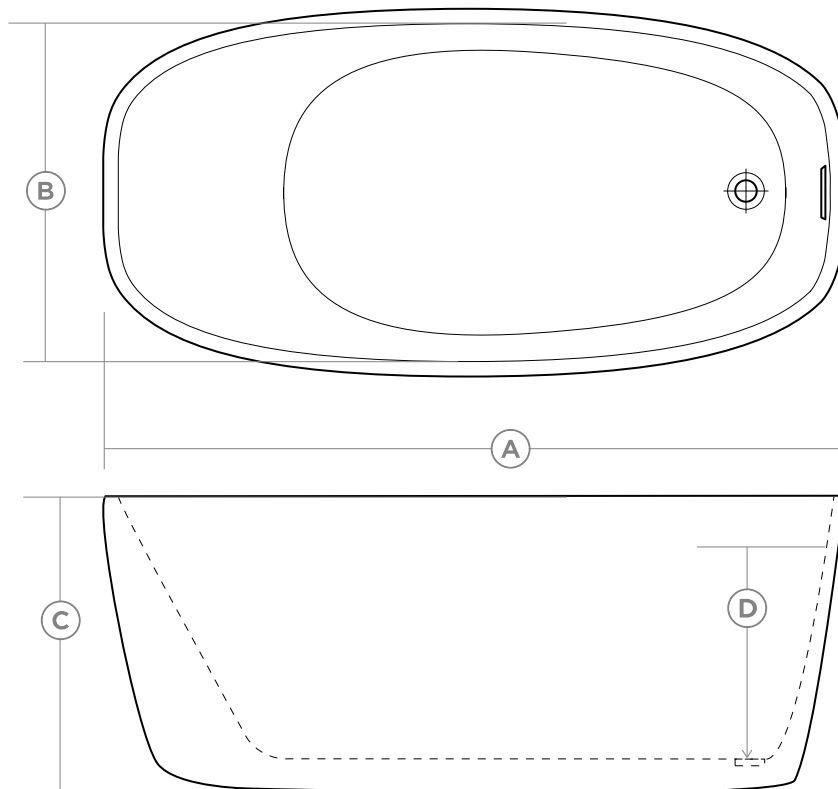
Features

- Seamless one-piece design
- Slotted overflow
- Clicker style pop-up drain
- Flow through style drain
- Internal steel frame
- Adjustable legs
- Deckmount faucet compatible
- Tiling flange included

Upgrades (See pg. 2-9 for details)

- Chromatherapy
- Roughin EZ Drain
- 2 x ComfortWarm™
- VIBE Sound
- Aromatherapy
- Colored drain options available
 (See pg. 8-9 in this section)

A Length	B Width	C Height	D Immersion Depth
59"	29 5/8"	22 7/8"	15 1/4"



A Length	B Width	C Height	D Immersion Depth
59 1/4"	29 5/8"	23 5/8"	16 1/2"

Zaria

Part #44380

Features

- Seamless one-piece design
- Slotted overflow
- Clicker style pop-up drain
- Flow through style drain
- Internal steel frame
- Adjustable legs

Upgrades (See pg. 3-12 for details)

- Roughin EZ Drain
- VIBE Sound
- Colored drain options available
(See pg. 8-9 in this section)

4 | Freestanding Baths
Cast Iron



Kraken

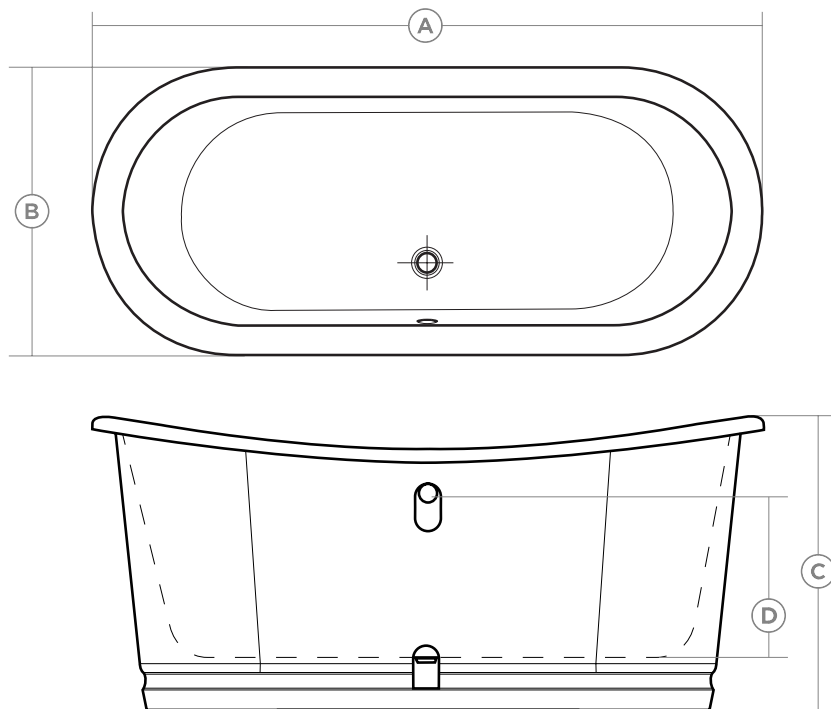
Part #48042

Features

- Double ended bathing well
- White finish
- Cast Iron interior
- Centre drain
- Hand rolled skirt accent

Upgrades

- Roughin EZ Drain
(See page 7 in this section)
- W&O sold separately
(See page 10 in this section)



A Length	B Width	C Height	D Immersion Depth
66"	28"	29"	14"



Lusca

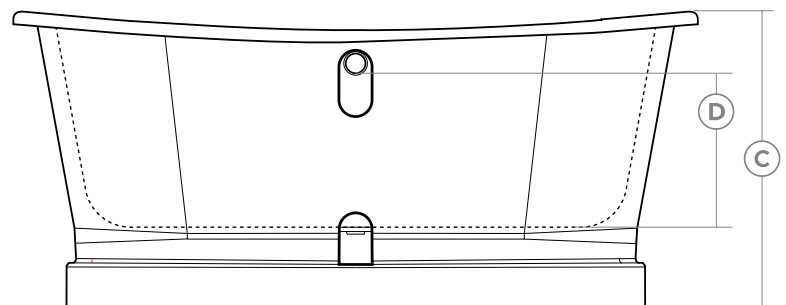
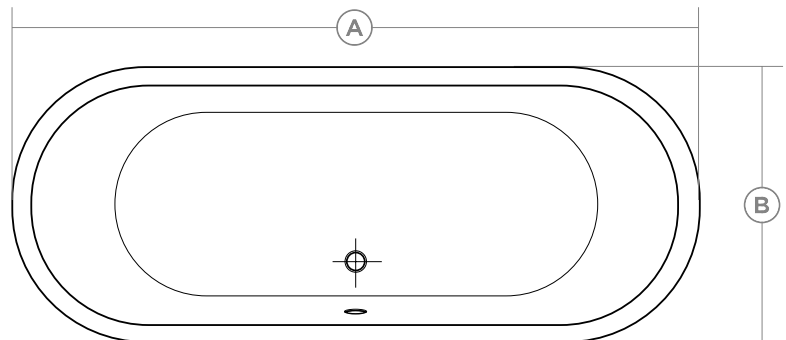
Part # 48040

Features

- Double ended bathing well
- Cast Iron interior
- Bateau style skirt detail
- Multiple skirt choices available

Upgrades

- Roughin EZ Drain
(See page 7 in this section)
- W&O sold separately
(See page 10 in this section)



A Length	B Width	C Height	D Immersion Depth
67"	26 ½"	28"	14 ¼"

Lusca Satin

Part # 48040-02

Upgrades

- Roughin EZ Drain
(See page 7 in this section)
- W&O sold separately
(See page 10 in this section)

Lusca Black

Part # 48040-05

Upgrades

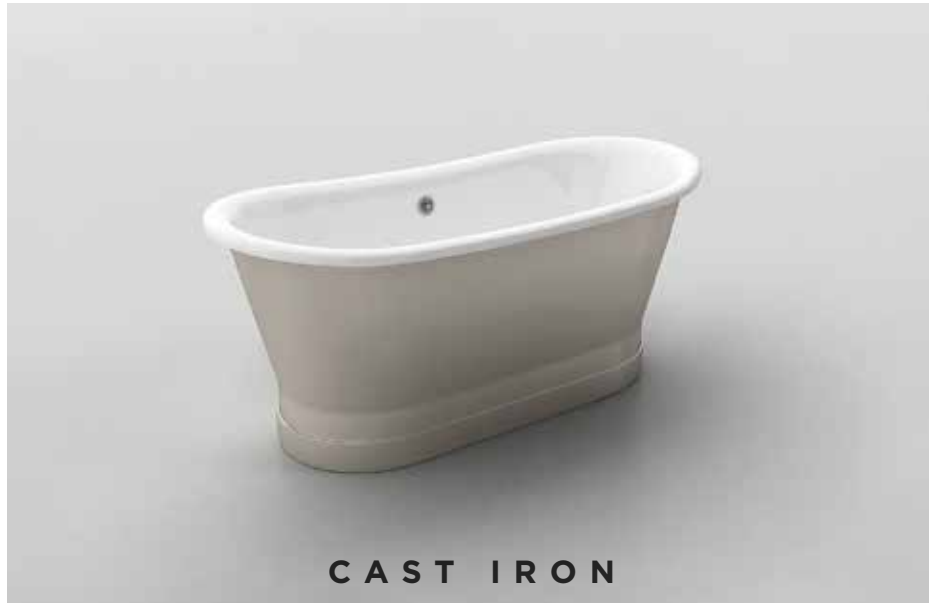
- Roughin EZ Drain
(See page 7 in this section)
- W&O sold separately
(See page 10 in this section)

Lusca Mirror

Part # 48040-08

Upgrades

- Roughin EZ Drain
(See page 7 in this section)
- W&O sold separately
(See page 10 in this section)





Makara

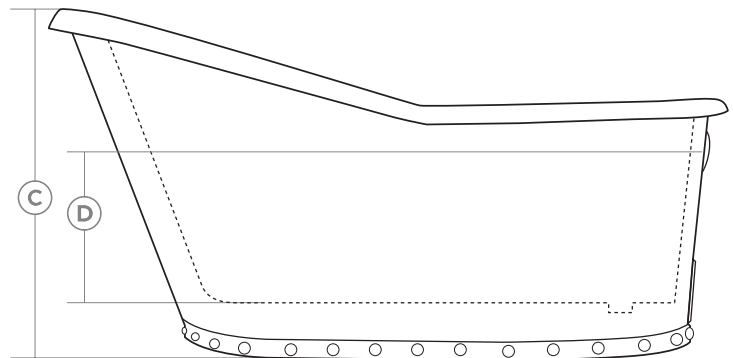
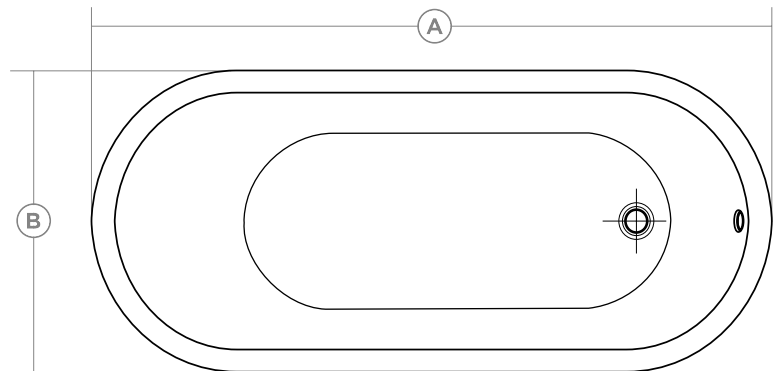
Part # 48025

Features

- Slipper design with end drain
- Cast Iron interior
- End drain
- High-gloss painted steel skirt
- Riveted trim accent

Upgrades

- Roughin EZ Drain
(See page 7 in this section)
- W&O sold separately
(See page 10 in this section)



A Length	B Width	C Height	D Immersion Depth
66 7/8"	30"	32"	15"

**4 | Freestanding Baths
Composite**



Aida

Part #

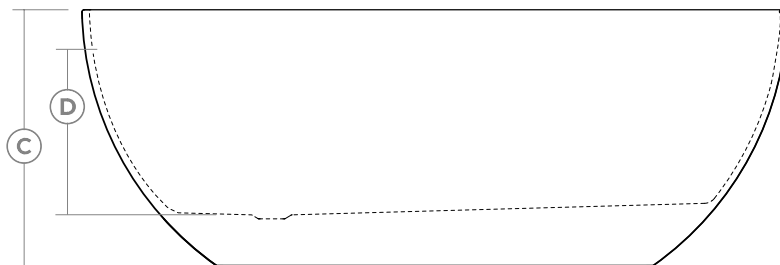
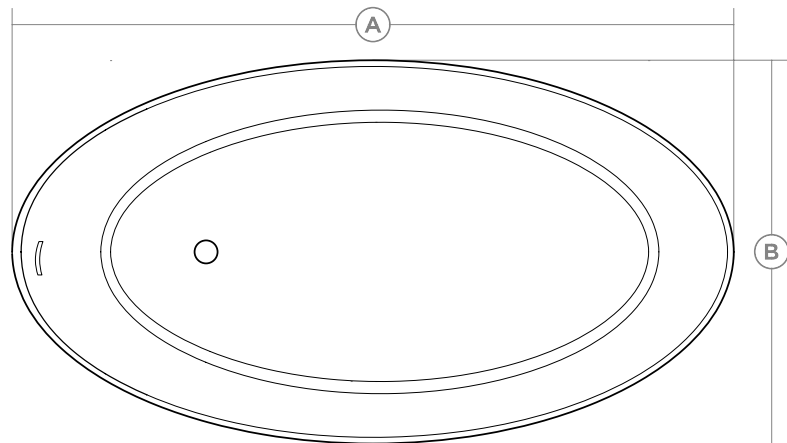
46520

Features

- Matte finish
- Cast composite acrylic
- End drain
- Deep bathing well
- Includes color matching clicker drain

Upgrades (See pg. 7 for details)

- Roughin EZ Drain



A Length	B Width	C Height	D Immersion Depth
63"	34"	22 7/8"	16"



Delfina

Part #

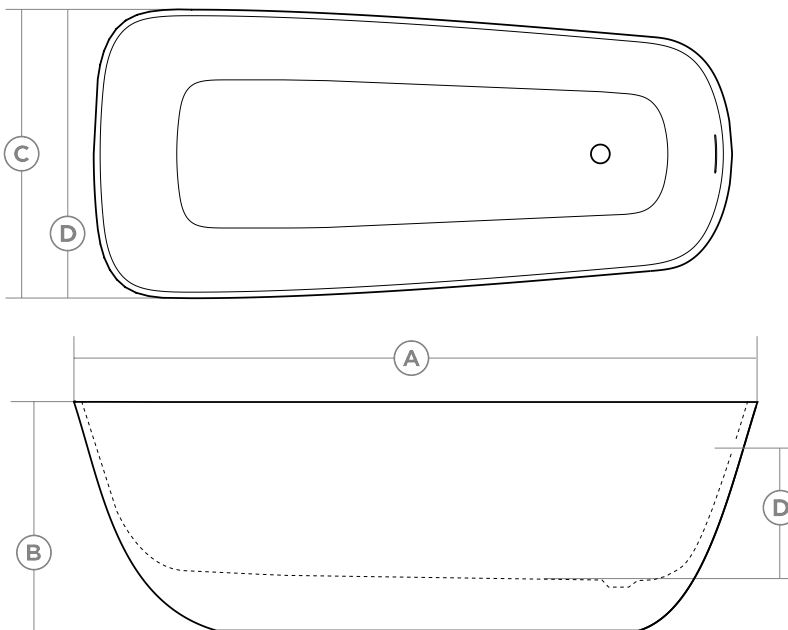
46522

Features

- Matte finish
- Cast composite acrylic
- End drain
- Deep bathing well
- Includes color matching clicker drain

Upgrades (See p. 7 for details)

- Roughin EZ Drain



A Length	B Width	C Height	D Immersion Depth
66 5/8"	30 1/4"	21"	17"

**4 | Freestanding Baths
Composite**



Gauguin

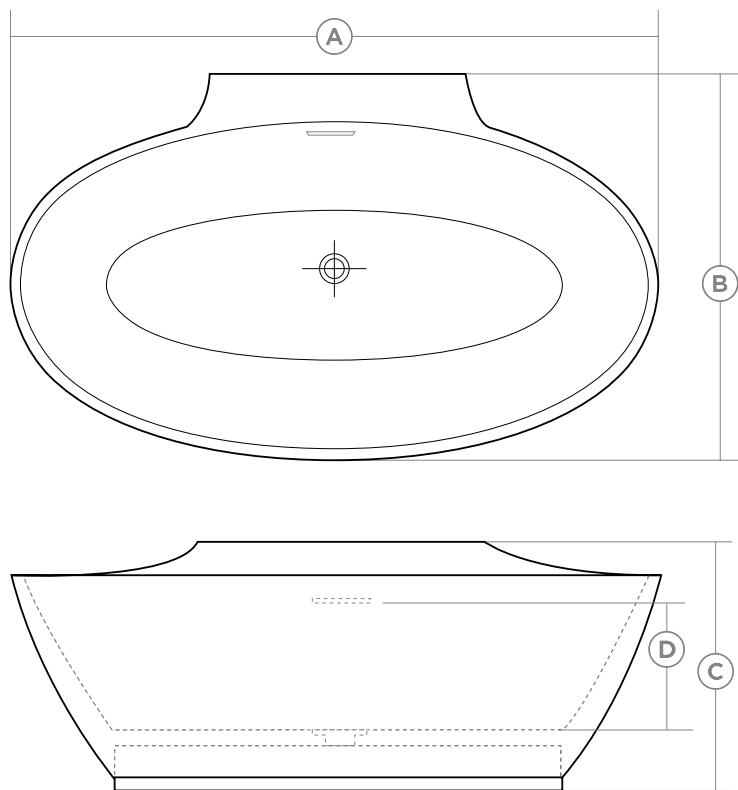
Part # 46512

Features

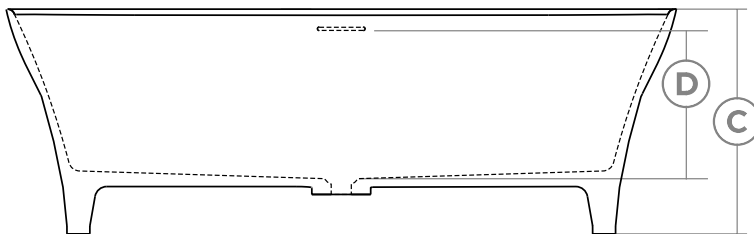
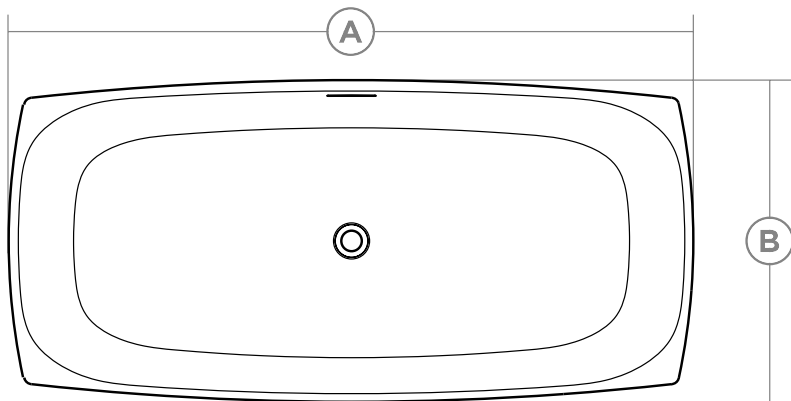
- Matte finish
- Cast composite acrylic
- End drain
- Deep bathing well
- Includes color matching clicker drain

Upgrades (See p. 7 for details)

- Roughin EZ Drain



A Length	B Width	C Height	D Immersion Depth
68"	40 1/2"	25 3/4"	13"



Juliet

Part # 46521

Features

- Matte finish
- Cast composite acrylic
- Centre drain
- Deep bathing well
- Includes color matching clicker drain

Upgrades (See p. 7 for details)

- Roughin EZ Drain

A Length	B Width	C Height	D Immersion Depth
67 ¼"	31 ¼"	22 ½"	15"

**4 | Freestanding Baths
Composite**



Justina

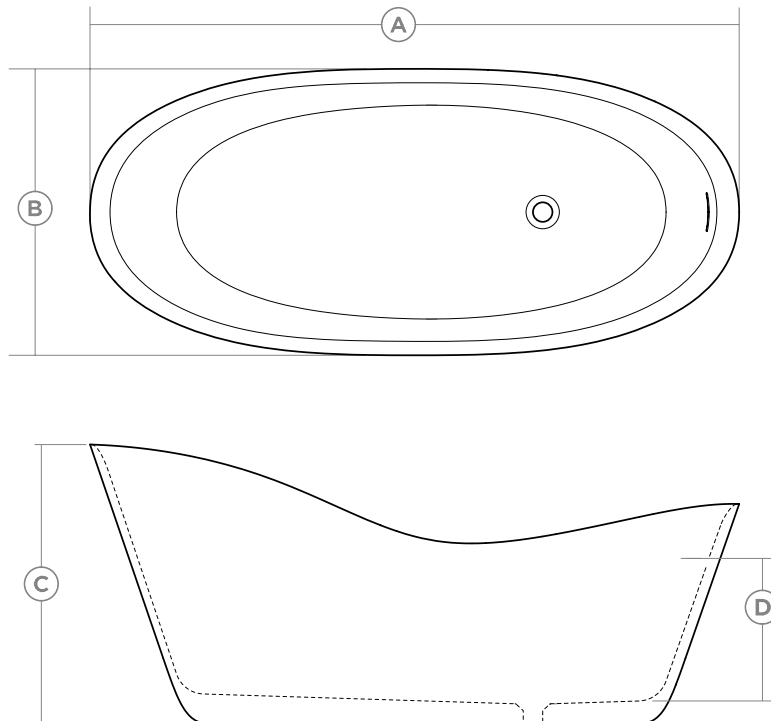
Part # 46524

Features

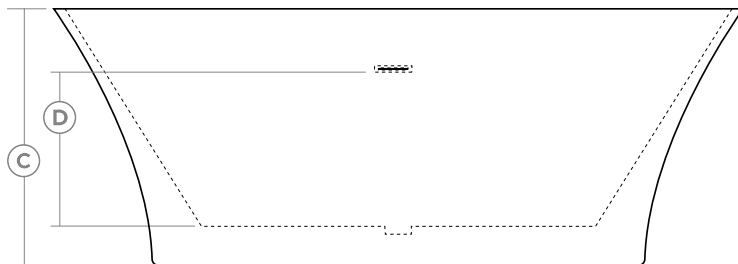
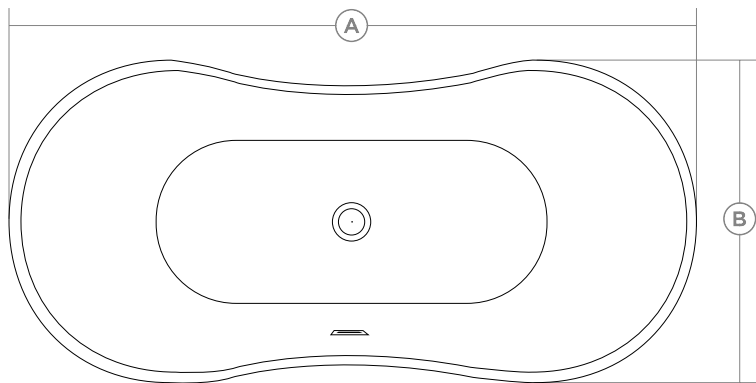
- Matte finish
- Cast composite acrylic
- End drain
- Deep bathing well
- Includes color matching clicker drain

Upgrades (See p. 7 for details)

- Roughin EZ Drain



A Length	B Width	C Height	D Immersion Depth
66 ½"	29 ¾"	28 ¾"	15"



Palermo

Part # 46507

Features

- Gloss finish
- Cast composite acrylic
- Centre drain
- Deep bathing well
- Includes color matching clicker drain

Upgrades (See p. 7 for details)

- Roughin EZ Drain

A Length	B Width	C Height	D Immersion Depth
63 ³ / ₈ "	28"	22 ¹ / ₄ "	15"

**4 | Freestanding Baths
Composite**



Poeta

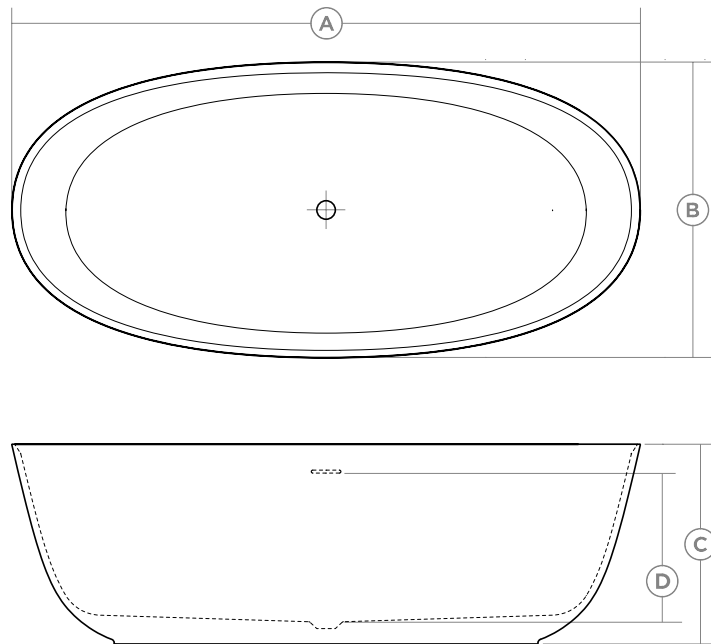
Part # 46523

Features

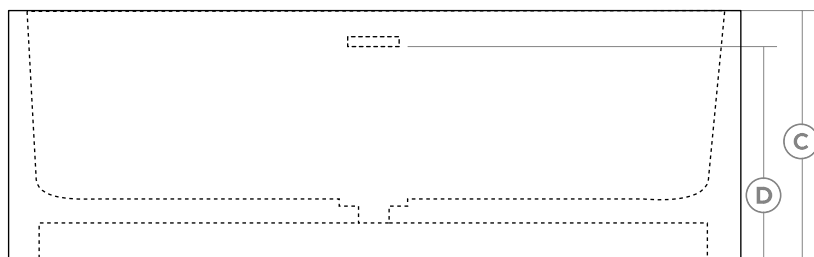
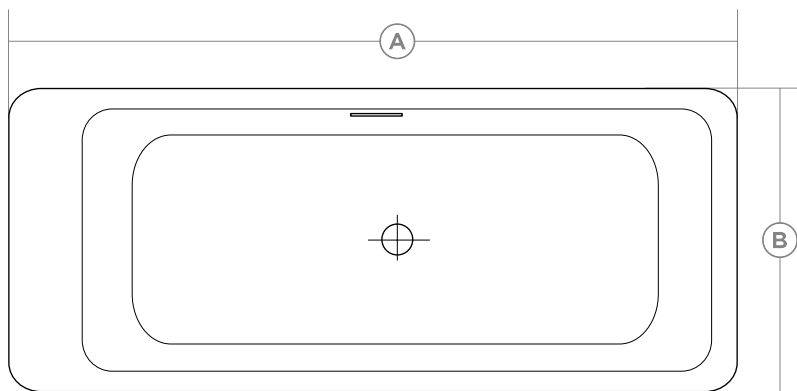
- Matte finish
- Cast composite acrylic
- Centre drain
- Deep bathing well
- Includes color matching clicker drain

Upgrades (See p. 7 for details)

- Roughin EZ Drain



A Length	B Width	C Height	D Immersion Depth
67 ½"	31 ½"	21 ¼"	16 ½"



Sicilian

Part # 46513

Features

- Gloss finish
- Cast composite acrylic
- Centre drain
- Deep bathing well
- Includes color matching clicker drain

Upgrades (See p. 7 for details)

- Roughin EZ Drain

A Length	B Width	C Height	D Immersion Depth
70 ¾"	31 ½"	21 ½"	14"

Semi-Freestanding Bath Quick Reference

Upgrades & Accessories

Acrylic

Upgrade Compatibility	3	Accessories & Compatibility	5
Upgrade Options.....	3~4		

Acrylic

59"	Dimensions	Part #	Page
Milla LH	59" x 30 3/4" x 23 5/8"	44605	8
Milla RH	59" x 30 3/4" x 23 5/8"	44606	8
Niche LH	59 1/4" x 32 1/4" x 23"	44601	9
Niche RH	59 1/4" x 32 1/4" x 23"	44602	9
Rochelle 59	59" x 31 1/2" x 23 1/4"	44275	10
Vanessa	59" x 29 5/8" x 22 7/8"	44335	11
66" +	Dimensions	Part #	Page
Fiona	66" x 31 1/2" x 23 5/8"	44282	7
Rochelle 67	67" x 31 1/2" x 23 1/4"	44276	10

Semi-Freestanding Bath Upgrades

Chromatherapy

Immerse yourself within a sea of light created by a dual mini-light Chromatherapy system. Bathers can choose between red, orange, yellow, green, blue, turquoise, and magenta, or cycle through a range of 9 blended colours. Combine Chromatherapy with a massage system to create a total spa experience.

Lateral Air

16 jets mounted around the perimeter of the bathing well infuse the water with a soothing stream of massaging bubbles. A ceramic heating core preheats the air as a 600-Watt Panasonic™ blower delivers a steady stream of warm air bubbles to the bather. Use the variable speed control pad to vary the intensity of the massage to your mood.

Enjoy peace of mind in knowing that all blowers are preprogrammed with an auto-drying cycle to clean and dry the system after every use.

HydroMassage

The hydromassage is the most vigorous of all available upgrades, featuring a $\frac{3}{4}$ hp high efficiency pump. Bath water circulates through 6 or more adjustable jets to deliver targeted massaging action with variable levels of intensity. Upgrade this massage system by adding additional jets or adding an in-line heater to help maintain your bath's water temperature.

ComfortWarm™

ComfortWarm™ uses radiant heat technology to directly heat the surface of the bathtub's back-rest. Use the three heat settings to adjust the heat intensity at any time with a simple press of the electronic touchpad.

VIBE Sound

The Vibe System allows you to enjoy your music or radio at the touch of a button in your shower or bathtub. The vibes of the music are synchronized with a Chromatherapy system that will change colors in synch with every beat of your favorite music.

Aromatherapy

Only a few drops of fragrance are needed. The system works using a pump which leads the air towards the receptacle which is filled with a combination of water and a few essential oil drops. Once the aromatherapy system is turned on, the diffuser spreads the natural scent of the essential oil into the ambient air.

Semi-Freestanding Acrylic Bath Upgrade Compatibility

Products	ComfortWarm™	Roughin EZ	Chromatherapy	Lateral Air	VIBE Sound	Aromatherapy
Fiona	x2	+	+	+	I or II	+
Milla	x1	+	+	n/a	I or II	+
Niche	x1	+	+	+	I or II	+
Rochelle	x2	+	+	+	I or II	+
Vanessa	x2	+	+	+	I or II	+

* n/a = not available * + = available

*VIBE Sound I = Keypad, VIBE Sound II = Remote Control

Please note for putting together multiple upgrades contact Acritec Customer Service at customerservice@acritec.com.

Semi-Freestanding Acrylic Bath Upgrade Options

Lateral Air

16 Jet Air System

- White	00021
- Brushed Nickel	00023
- Polished Chrome	00024
- Remote control for air blower	00133
- Remote Location kit for air blower (12' extra cable & hose)	00131
Sound Deadening Pump Pad	00160
Variable Air Blower (Replacement)	00180
Custom Jet System	00155



Semi-Freestanding Acrylic Bath Upgrade Options

Chromatherapy Lights	Part #
2 x White Finish	01020
2 x Chrome Finish	01021



VIBE Sound System

VIBE I + Chromatherapy Lights	
2x Speakers + 2x Chromatherapy Lights (White Finish) + Advanced Keypad	01022
2x Speakers + 2x Chromatherapy Lights (Chrome Finish) + Advanced Keypad	01023



VIBE II + Chromatherapy Lights (For Most Freestanding Tubs)

2x Speakers + 2x Chromatherapy Lights (White Finish) + Remote Control	01024
2x Speakers + 2x Chromatherapy Lights (Chrome Finish) + Remote Control	01025



Aromatherapy System	
Diffuser System + Keypad	01030

ComfortWarm™

ComfortWarm™	Part #
1x ComfortWarm™ Heated Backrest (70W)	01040-01
2x ComfortWarm™ Heated Backrests (2x35W)	01040-02

Roughin EZ	
Easy installation drain kit	01086

Roughin EZ

The Roughin EZ Drain provides an easy way to install a free standing bathtub. Kit includes a reusable test plug, twist lock coupling, brass tailpiece, nut and flat washer.



Semi-Freestanding Acrylic Bath Accessories

Popup Drain + Overflow Cover Plate	Part #
Polished Chrome	01085
Brushed Nickel	01080
Matte Black	01084
Oil Rubbed Bronze	01079
Polished Gold	01078

*Overflow cover plate for upgraded finishes need to be factory installed.



Popup Drain Only (for slotted semi-free-standing tubs)	Part #
Polished Chrome	01089
Brushed Nickel	01091
Matte Black	01092
Oil Rubbed Bronze	01093
Polished Gold	01094
White	01095
Brass Assembly	01098
Drain Stopper (Replacement)	01099



Semi-Freestanding Acrylic Bath Accessories Compatibility

Products	Upgraded Finishes				
	Chrome	Brushed Nickel	Black	Oil Rubbed Bronze	Gold
Fiona	+	+	+	+	+
Milla	+	+	+	+	+
Niche	+	+	+	+	+
Rochelle	+	+	+	+	+
Vanessa	+	+	+	+	+

* n/a = not available * + = available



08010

Pillow | Contoured | Compatible with all Acritec baths

Dimensions

11 $\frac{7}{8}$ " x 4 $\frac{3}{8}$ "

Colour

Black



08012

Pillow | Premium | Compatible with all Acritec baths

Dimensions

11 $\frac{1}{2}$ " x 6 $\frac{1}{2}$ "

Colour

Black



08014

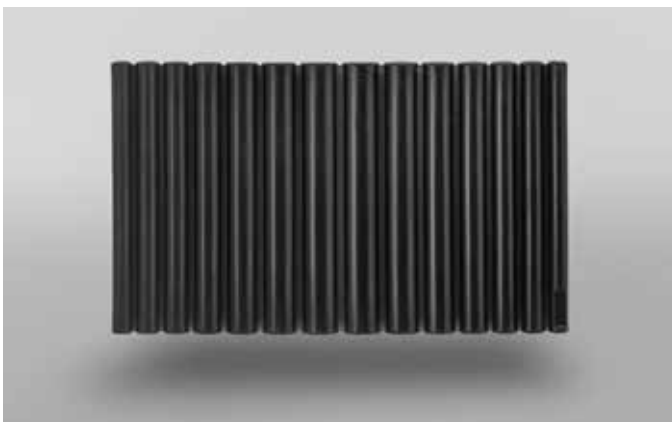
Pillow | Contoured | For baths with rounded backrests

Dimensions

11 $\frac{1}{2}$ " x 3 $\frac{1}{8}$ "

Colour

Black



08016

Pillow | Premium | Compatible with all Acritec baths

Dimensions

15 $\frac{3}{4}$ " x 10 $\frac{1}{4}$ "

Colour

Black



Fiona

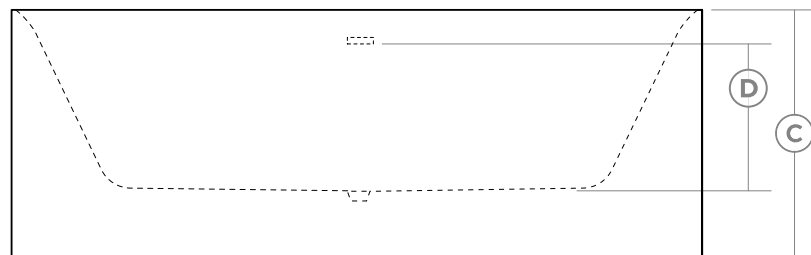
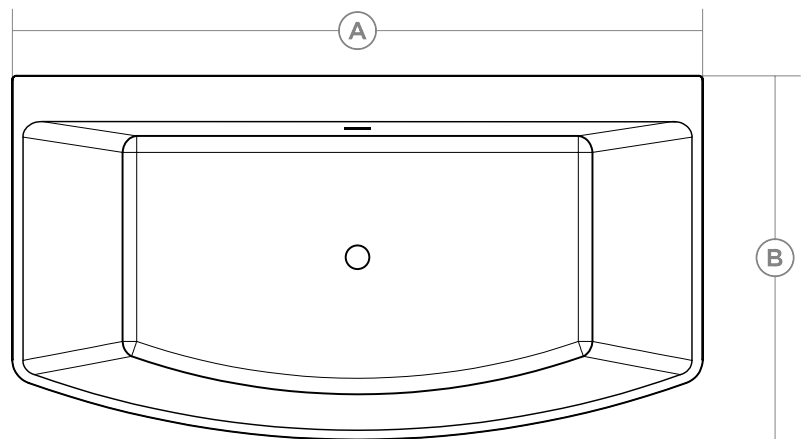
Part # 44282

Features

- Seamless one-piece design
- Slotted overflow
- Includes tiling flange not installed
- Clicker style pop-up drain
- Flow through style drain
- Internal steel frame
- Adjustable legs
- Deck mount compatible

Upgrades (See pg. 2-6 for details)

- Chromatherapy
- Lateral Air
- Roughin EZ Drain
- 2 x ComfortWarm™
- VIBE Sound
- Aromatherapy
- Colored drain options available
(See pg. 5 in this section)



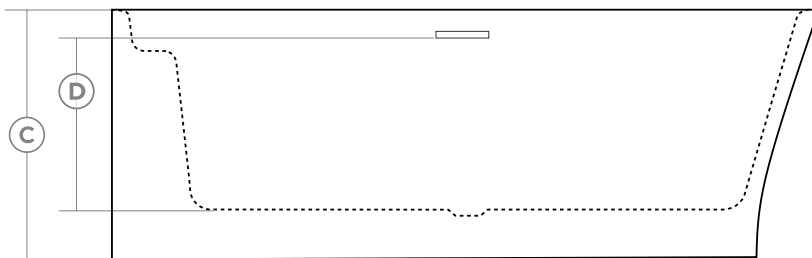
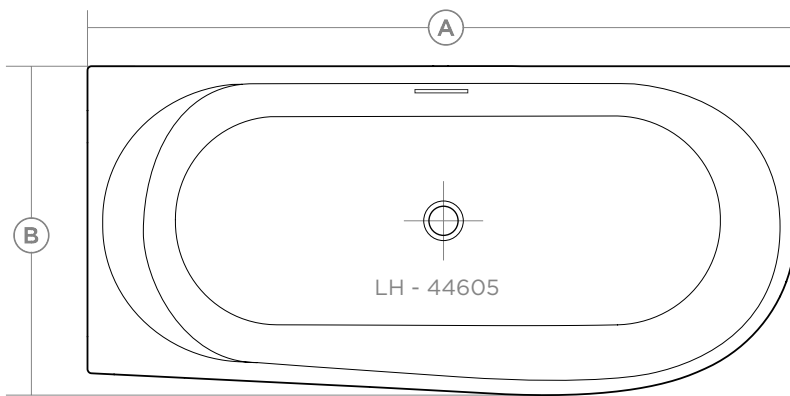
A Length	B Width	C Height	D Immersion Depth
66"	31 1/2"	23 5/8"	14 3/8"

Recommended: if the Semi- freestanding tub is going against the wall, the tub to be installed with the supplied tiling flange.

RH 44606



ACRYLIC



Milla

Part #

LH - 44605

RH - 44606

Features

- Seamless one-piece design
- Slotted overflow
- Designed for corner installations
- Includes tiling flange not installed
- Clicker style pop-up drain
- Flow through style drain
- Internal steel frame
- Adjustable legs

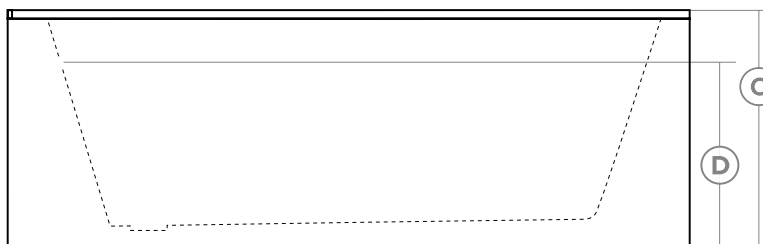
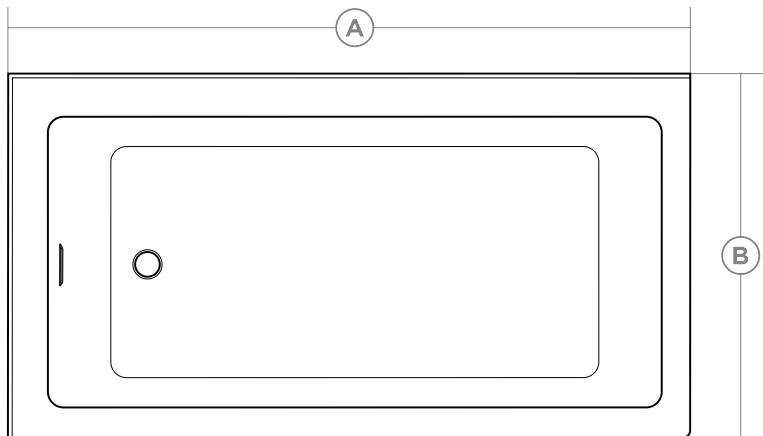
Upgrades (See pg. 2-6 for details)

- Chromatherapy
- Roughin EZ Drain
- VIBE Sound
- Aromatherapy
- Colored drain options available (See pg. 5 in this section)

A Length	B Width	C Height	D Immersion Depth
59"	30 ¾"	23 ⅝"	15 ½"

Recommended: if the Semi- freestanding tub is going against the wall, the tub to be installed with the supplied tiling flange.

LH 44601



A Length	B Width	C Height	D Immersion Depth
59 ¼"	32 ¼"	23"	15 ½"

Niche

Part

LH - 44601

RH - 44602

Features

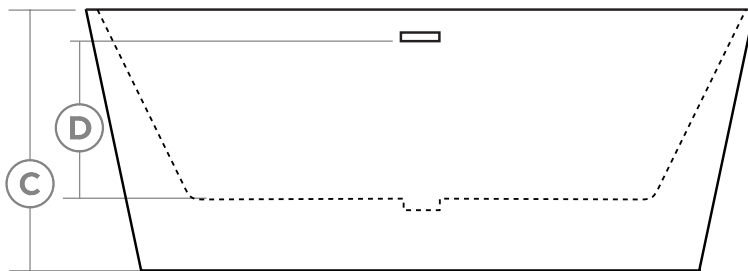
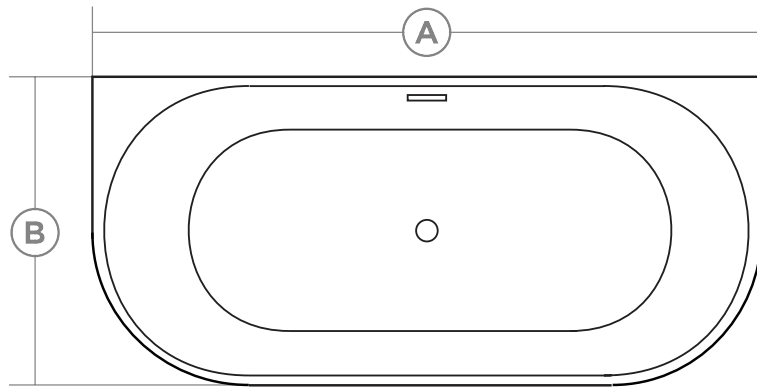
- Seamless one-piece design
- Overflow plate included
- Designed for corner installations
- Includes tiling flange not installed
- Clicker style pop-up drain
- Flow through style drain
- Internal steel frame
- Adjustable legs

Upgrades (See pg. 2-6 for details)

- Chromatherapy
- Lateral Air
- Roughin EZ Drain
- ComfortWarm™
- VIBE Sound
- Aromatherapy
- Colored drain options available (See pg. 5 in this section)

Recommended: if the Semi- freestanding tub is going against the wall, the tub to be installed with the supplied tiling flange.

5 | Semi-Freestanding Baths



A Length	B Width	C Height	D Immersion Depth
59"	31 1/2"	23 1/4"	15 7/8"
66 7/8"	31 1/2"	23 1/4"	15 7/8"

Recommended: if the Semi- freestanding tub is going against the wall, the tub to be installed with the supplied tiling flange.

Rochelle

Part #

59" - 44275

67" - 44276

Features

- Seamless one-piece design
- Slotted overflow
- Includes tiling flange not installed
- Finished on all sides
- Clicker style pop-up drain
- Flow through style drain
- Internal steel frame
- Adjustable legs

Upgrades (See pg. 2-6 for details)

- Chromatherapy
- Lateral Air
- Roughin EZ Drain
- 2 x ComfortWarm™
- VIBE Sound
- Aromatherapy
- Colored drain options available (See pg. 5 in this section)



Vanessa

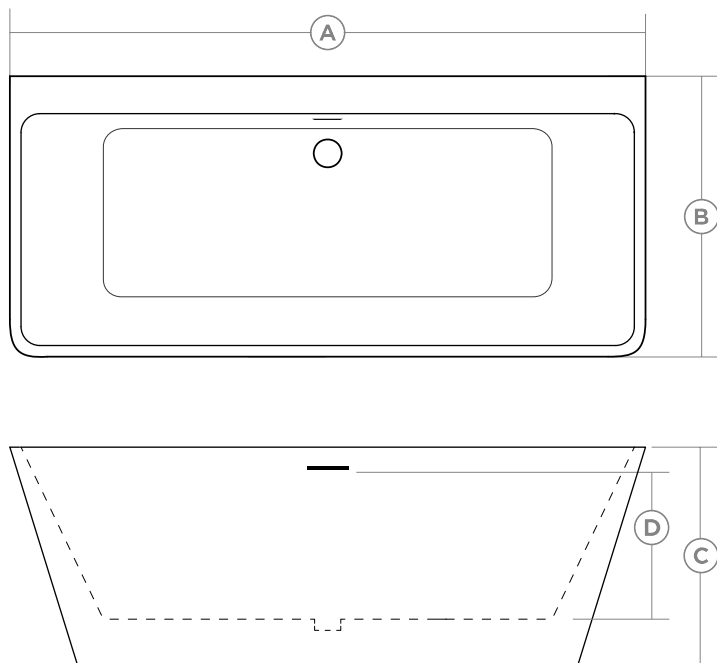
Part # 44335

Features

- Seamless one-piece design
- Open back
- Slotted overflow
- Clicker style pop-up drain
- Flow through style drain
- Internal steel frame
- Adjustable legs
- Deckmount faucet compatible
- Includes tiling flange not installed

Upgrades (See pg. 2-6 for details)

- Chromatherapy
- Roughin EZ Drain
- 2 x ComfortWarm™
- VIBE Sound
- Aromatherapy
- Colored drain options available (See pg. 5 in this section)



A Length	B Width	C Height	D Immersion Depth
59"	29 5/8"	22 7/8"	15 1/4"

Recommended: if the Semi- freestanding tub is going against the wall, the tub to be installed with the supplied tiling flange.

Shower Base Index & Quick Reference

Info

Accessories 9

Single Threshold

Dimensions (Width x Depth)	Low Profile Height: 3 7/8" Part #	Page	Regular Profile Height: 5" Part #	Page	Minimalist Height: 2 1/2" Part #	Page	Covered Height: 3" Part #	Page
30" x 30"	-	-	63001	12	-	-	-	-
30" x 54"	-	-	Refer to page 3		-	-	-	-
30" x 60"	-	-	Refer to page 3		-	-	-	-
32" x 32"	63032A	10	-	-	-	-	63034	16
32" x 36"	63041	10	-	-	-	-	-	-
32" x 48"	-	-	Refer to page 3		-	-	-	-
32" x 54"	-	-	Refer to page 3		-	-	-	-
32" x 60"	-	-	Refer to page 3		-	-	-	-
34" x 34"	63081A	10	-	-	-	-	-	-
34" x 36"	63085	10	-	-	-	-	-	-
36" x 32"	63092A	10	-	-	63093	19	-	-
36" x 34"	63101	10	-	-	63102	19	-	-
36" x 36"	63112A	10	-	-	63113	19	63114	16
36" x 42"	-	-	Refer to page 3		-	-	-	-
36" x 48"	-	-	Refer to page 3		-	-	-	-
36" x 54"	-	-	Refer to page 3		-	-	-	-
36" x 60"	-	-	Refer to page 3		-	-	-	-
42" x 30"	63157	11	-	-	63158	19	-	-
42" x 32"	63162A	11	-	-	63163	19	-	-
42" x 34"	63172	11	-	-	63173	19	-	-
42" x 36"	63182A	11	-	-	63183	19	63184	16

Single Threshold

Dimensions (Width x Depth)	Low Profile Height: 3 7/8" Part #	Page	Regular Profile Height: 5" Part #	Page	Minimalist Height: 2 1/2" Part #	Page	Covered Height: 3" Part #	Page
42" x 42"	63192A	11	-	-	-	-	-	-
42" x 48"	63202	11	-	-	-	-	-	-
48" x 30"	63211A	11	-	-	63212	19	-	-
48" x 32"	63221A	11	-	-	63222	19	63223	16
48" x 34"	63241A	11	-	-	63242	19	-	-
48" x 36"	63251A	11	-	-	63252	19	63254	16
48" x 42"	63271	11	-	-	-	-	-	-
48" x 48"	63291A	11	-	-	-	-	-	-
54" x 30"	-	-	-	-	63308	19	-	-
54" x 32"	-	-	-	-	63309	19	-	-
54" x 34"	-	-	-	-	63310	19	-	-
54" x 36"	-	-	-	-	63311	19	-	-
54" x 42"	-	-	63315	12	-	-	-	-
60" x 30"	63322A	11	-	-	63323	19	-	-
60" x 32"	63362A	11	-	-	63363	19	63364	16
60" x 34"	63402A	11	-	-	63403	19	-	-
60" x 36"	63412A	11	-	-	63413	19	63414	16
60" x 38"	-	-	63431	12	-	-	-	-
60" x 40"	-	-	63441	12	-	-	-	-
60" x 42"	63451A	11	-	-	-	-	-	-
66" x 32"	63472	11	-	-	63473	19	-	-
66" x 36"	63492	11	-	-	63493	19	-	-
72" x 32"	63512	11	-	-	63513	19	-	-
72" x 36"	63532A	11	-	-	63533	19	-	-

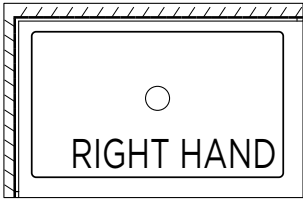
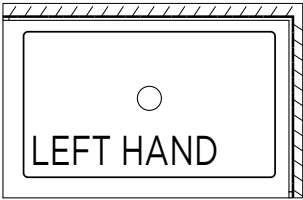
Single Threshold End Drain

Dimensions (Width x Depth)	Low Profile End Drain Height: 3 7/8" Part #	Page	Regular Profile End Drain Height: 5" Part #	Page	Low Profile Linear (Grill) End Drain Height: 3 7/8" Part #	Page	Low Profile Covered End Drain Height: 3" Part #	Page
30" x 54"	- -	-	63011	14	- -	-	- -	-
30" x 60"	- -	-	63021	14	- -	-	- -	-
32" x 48"	- -	-	63051	14	- -	-	- -	-
32" x 54"	- -	-	63061	14	- -	-	- -	-
32" x 60"	- -	-	63071	14	- -	-	- -	-
36" x 42"	- -	-	63121	14	- -	-	- -	-
36" x 48"	- -	-	63131	14	- -	-	- -	-
36" x 54"	- -	-	63141	14	- -	-	- -	-
36" x 60"	- -	-	63151	14	- -	-	- -	-
48" x 30"	LH 63214 RH 63215	13	-	-	LH 63218G RH 63219G	15	- -	-
48" x 32"	LH 63224 RH 63225	13	-	-	LH 63228G RH 63229G	15	- -	-
48" x 36"	- -	-	-	-	LH 63258G RH 63259G	15	- -	-
60" x 30"	LH 63331A RH 63351A	13	-	-	LH 63331G RH 63351G	15	LH 63331CD RH 63351CD	17
60" x 32"	LH 63371A RH 63391A	13	-	-	LH 63371G RH 63391G	15	LH 63371CD RH 63391CD	17
60" x 36"	LH 63418A RH 63419A	13	-	-	LH 63418G RH 63419G	15	LH 63418CD RH 63419CD	17

Barrier-Free

Dimensions (Width x Depth)	Single Threshold Height: 2" Part #	Page	Single Threshold End Drain Height: 2" Part #	Page
48 x 36	72011	20	- -	-
48 x 38	72021	20	- -	-
48 x 42	72031	20	- -	-
48 x 48	72041	20	- -	-
54 x 36	72051	20	- -	-
60 x 30	-	-	LH 72061 RH 72071	21
60 x 32	72081	20	LH 72091 RH 72101	21
60 x 34	72111	20	- -	-
60 x 36	72121	20	- -	-
60 x 38	72131	20	- -	-
60 x 40	72141	20	- -	-
60 x 42	72151	20	- -	-

Double Threshold

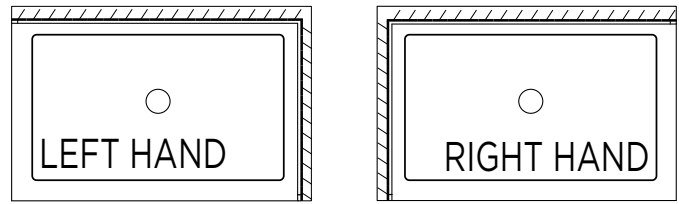


Dimensions (Width x Depth)	Low Profile Height: 3 7/8"		Minimalist Height: 2 1/2"		Covered Height: 3"	
	LH Threshold RH Threshold Part #	Page	LH Threshold RH Threshold Part #	Page	LH Threshold RH Threshold Part #	Page
32" x 32"	LH/RH 60002A	23	- -	-	LH/RH 60004	24
34" x 34"	LH/RH 60012A	23	- -	-	- -	-
36" x 32"	LH 60014A RH 60015A	23	- -	-	- -	-
36" x 36"	LH/RH 60032A	23	LH/RH 60033	26	LH/RH 60034	24
38" x 38"	LH/RH 60041	23	- -	-	- -	-
42" x 32"	LH 60042A RH 60043A	23	- -	-	- -	-
42" x 36"	LH 60044A RH 60045A	23	- -	-	LH 60048 RH 60049	24
42" x 42"	LH/RH 60062A	23	- -	-	- -	-
48" x 30"	LH 60074A RH 60075A	23	- -	-	- -	-
48" x 32"	LH 60084A RH 60085A	23	- -	-	LH 60088 RH 60089	24
48" x 34"	LH 60094A RH 60095A	23	- -	-	- -	-
48" x 36"	LH 60104A RH 60105A	23	LH 60106 RH 60107	26	LH 60108 RH 60109	24

Please, refer to the above drawing before placing the order.

Rev. 1.0 - May 1 2023 List Prices do not include taxes. Dimensions are subject to change without notice. Refer to technical drawings for detailed product dimensions

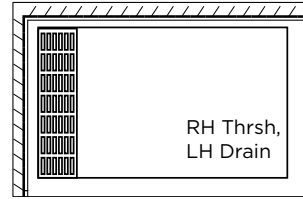
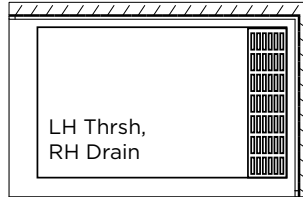
Double Threshold



Dimensions (Width x Depth)	Low Profile Height: 3 7/8"		Minimalist Height: 2 1/2"		Covered Height: 3"	
	LH Threshold Part #	RH Threshold Part #	LH Threshold Part #	RH Threshold Part #	LH Threshold Part #	RH Threshold Part #
48" x 42"	LH 60114	RH 60115	-	-	-	-
48" x 48"	LH/RH 60125A		-	-	-	-
60" x 30"	LH 60134A	RH 60135A	LH 60136	RH 60137	-	-
60" x 32"	LH 60144A	RH 60145A	LH 60146	RH 60147	LH 60148	RH 60149
60" x 34"	LH 60154A	RH 60155A	LH 60156	RH 60157	-	-
60" x 36"	LH 60164A	RH 60165A	LH 60166	RH 60167	LH 60168	RH 60169
60" x 42"	LH 60172A	RH 60173A	-	-	-	-
66" x 32"	LH 60184	RH 60185	LH 60186	RH 60187	-	-
66" x 36"	LH 60204	RH 60205	LH 60206	RH 60207	-	-
72" x 32"	LH 60224	RH 60225	LH 60226	RH 60227	-	-
72" x 36"	LH 60244A	RH 60245A	LH 60246	RH 60247	-	-

Please, refer to the above drawing before placing the order.

Double Threshold Linear (Grill) End Drain



Dimensions (Width x Depth)	LH Threshold, RH Drain Height: 3 7/8" Part #	RH Threshold, LH Drain Height: 3 7/8" Part #	Page
42" x 36"	60044G	60045G	25
60" x 30"	60134G	60135G	25
60" x 32"	60144G	60145G	25
60" x 36"	60164G	60165G	25

Please, refer to the above drawing before placing the order.

- Price includes stainless steel linear drain cover
- Consult technical specifications for threshold heights and drain placements

Corner

Dimensions (Width x Depth)	Belly Round Front Height: 4 ¼" Part #	Page	Round Front Height: 5" Part #	Page	Neo-Angle Height: 4" Part #	Page
32" x 32"	-	-	62011	28	-	-
34" x 34"	64010	27	-	-	61011A	29
36" x 36"	64012	27	62020A	28	61021A	29
					61022 (*AFRC)	29
38" x 38"	-	-	-	-	61030	29
					61031 (*AFRC)	29
40" x 40"	-	-	62041	28	61032	29
42" x 42"	-	-	-	-	61041	29
48" x 48"	-	-	-	-	61042	29

*AFRC: Above floor rough-in compatible (Height: 9 ½")

Receptor Alcove I End Drain

Products	Dimensions	Item No.	Page
Pender LH	59 ⅞" x 33" x 22 ½"	63612	30
Pender RH	59 ⅞" x 33" x 22 ½"	63613	30

Shower Base Accessories

Accessories	Item #
Grill Cover 24 7/8" (Chrome) for Replacement (60" x 30" & 60" x32")	02999
Grill Cover 28 7/8" (Chrome) for Replacement (60" x 36")	03000
Standard Shower Drain (White)	03001
Standard Shower Drain (Chrome)	03004
Square Cover for Replacement (7" x 7")	03015
Rectangular Cover for Replacement (9 3/8" x 6 3/8")	03016
Collapsible Threshold (Barrier Free Showers)	05010
End Caps for Collapsible Threshold (Barrier Free Showers)	05011

Note: measurements provided here-in are nominal and are approximate. Detailed measurements are listed on product specification sheets (available online).



6 | Shower Bases Single Threshold

More
Sizes
----->



Low Profile

Single Threshold

*A Series - Centre Drain

Height: 3 7/8"

Compatible Shower Doors

Dimensions (Width x Depth)	Part #	Abbott Series	Ruxton	Cortez	Ebony
		10 & 8mm Chrome Section 7 Pg. 4	6mm Chrome Section 7 Pg. 13-14	8mm Chrome Section 7 Pg. 6-7	6mm Matte Black Section 7 Pg. 8-9
32" x 32"	63032A	-	51106	-	-
32" x 36"	63041	-	51106	-	-
34" x 34"	63081A	-	51126	-	-
34" x 36"	63085	-	51126	-	-
36" x 32"	63092A	-	51146	-	51723
36" x 34"	63101	-	51146	-	51723
36" x 36"	63112A	-	51146	-	51723

NS: These sizes are made to order and are generally non-stocking items. Please allow for manufacturing time.
NS models not returnable once ordered.

* Refer to shower door section for additional finish options.

Low Profile

Single Threshold

Compatible Shower Doors

*A Series - Centre Drain
Height: 3 7/8"

Dimensions (Width x Depth)	Part #	Abbott Series 10 & 8mm Chrome Section 7, Pg. 4	Ruxton 6mm Chrome Section 7, Pg. 13-14	Cortez / Pristina 8mm Chrome Section 7, Pg. 6-7 or 11	Ebony 6mm Matte Black Section 7, Pg. 8-9
42" x 30" NS	63157	-	51166	51603.S42LH or 51803	-
42" x 32"	63162A	-	51166		-
42" x 34" NS	63172	-	51166		-
42" x 36"	63182A	-	51166		-
42" x 42"	63192A	-	51166		-
42" x 48" NS	63202	-	51166		-
48" x 30"	63211A	57063	51184	51603.S48LH or 51606.S48RH	51723.51733
48" x 32"	63221A	57063	51184		51723.51733
48" x 34"	63241A	57063	51184		51723.51733
48" x 36"	63251A	57063	51184		51723.51733
48" x 42"	63271	57063	51184		51723.51733
48" x 48"	63291A	57063	51184		51723.51733
60" x 30"	63322A	57073	-	51613.S60LH or 51616.S60RH	51723.51743
60" x 32"	63362A	57073			51723.51743
60" x 34"	63402A	57073			51723.51743
60" x 36"	63412A	57073			51723.51743
60" x 42"	63451A	57073			51723.51743
66" x 32" NS	63472	57083			-
66" x 36" NS	63492	57083	-		
72" x 32" NS	63512	57093	-		
72" x 36"	63532A	57093			

NS: These sizes are made to order and are generally non-stocking items. Please allow for manufacturing time.
NS models not returnable once ordered.

* Refer to shower door section for additional finish options.

6 | Shower Bases
Single Threshold



Regular Profile

Single Threshold

Compatible Shower Doors

Height: 5"

		Abbott Series 10 & 8mm Chrome Section 7 Pg. 4	Ruxton 6mm Chrome Section 7 Pg. 13-14	Cortez 8mm Chrome Section 7 Pg. 6-7	Ebony 6mm Matte Black Section 7 Pg. 8-9
Dimensions (Width x Depth)	Part #				
30" x 30"	63001	-	-	-	-
54" x 42"	NS 63315	-	-	-	-
60" x 38"	63431	57073	-	51613.S60LH or 51616.S60RH	51723.51743
60" x 40"	63441	57073	-	51616.S60RH	51723.51743

NS: These sizes are made to order and are generally non-stocking items. Please allow for manufacturing time.

NS models not returnable once ordered.

* Refer to shower door section for additional finish options.



Low Profile

Single Threshold | End Drain

Height: 3 7/8"

Compatible Shower Doors

Dimensions (Width x Depth)	Left Drain Part #	Right Drain Part #	Abbott Series	Ruxton	Cortez	Ebony
			10 & 8mm Chrome Section 7 Pg. 4	6mm Chrome Section 7 Pg. 13-14	8mm Chrome Section 7 Pg. 6-7	6mm Matte Black Section 7 Pg. 8-9
48" x 30"	63214	63215	57063	51184	51603.S48LH or 51606.S48RH	51723.51733
48" x 32"	63224	63225	57063	51184	51606.S48RH	51723.51733
60" x 30"	63331A	63351A	57073	-	51613.S60LH or 51616.S60RH	51723.51743
60" x 32"	63371A	63391A	57073	-	51613.S60LH or 51616.S60RH	51723.51743
60" x 36"	63418A	63419A	57073	-	51613.S60LH or 51616.S60RH	51723.51743

* Refer to shower door section for additional finish options.

6 | Shower Bases Single Threshold



Regular Profile

Single Threshold | End Drain

Height: 5"

Compatible Shower Doors

		Abbott Series 10 & 8mm Chrome Section 7 Pg. 4	Ruxton 6mm Chrome Section 7 Pg. 13-14	Cortez 8mm Chrome Section 7 Pg. 6-7	Ebony 6mm Matte Black Section 7 Pg. 8-9
Dimensions (Width x Depth)	Part #				
30" x 54"	63011	-	-	-	-
30" x 60"	63021	-	-	-	-
32" x 48"	63051	-	51106	-	-
32" x 54"	63061	-	51106	-	-
32" x 60"	63071	-	51106	-	-
36" x 42"	63121	-	51146	-	51723
36" x 48"	63131	-	51146	-	51723
36" x 54"	NS 63141	-	51146	-	51723
36" x 60"	NS 63151	-	51146	-	51723

NS: These sizes are made to order and are generally non-stocking items. Please allow for manufacturing time.
NS models not returnable once ordered.

* Refer to shower door section for additional finish options.

Left Hand
Shown



Low Profile

Single Threshold | Linear End Drain

Height: 3 7/8"

Compatible Shower Doors

Dimensions (Width x Depth)	Left Drain Part #	Right Drain Part #	Abbott Series	Ruxton	Cortez	Ebony
			10 & 8mm Chrome Section 7 Pg. 4	6mm Chrome Section 7 Pg. 13-14	8mm Chrome Section 7 Pg. 6-7	6mm Matte Black Section 7 Pg. 8-9
48" x 30"	63218G	63219G	57063	51184		51723.51733
48" x 32"	63228G	63229G	57063	51184	51603.S48LH or 51606.S48RH	51723.51733
48" x 36"	63258G	63259G	57063	51184		51723.51733
60" x 30"	63331G	63351G	57073			51723.51743
60" x 32"	63371G	63391G	57073	-	51613.S60LH or 51616.S60RH	51723.51743
60" x 36"	63418G	63419G	57073			51723.51743

Replacement Grill Covers (Chrome)

24 7/8" 02999 for 60" x 30" & 60" x 32"

28 7/8" 03000 for 60" x 36"

* Refer to shower door section for additional finish options. - Price includes grill cover
- Consult technical specifications for threshold heights and drain placements

6 | Shower Bases Single Threshold



Low Profile

Single Threshold | Covered Drain

Compatible Shower Doors

Height: 3"

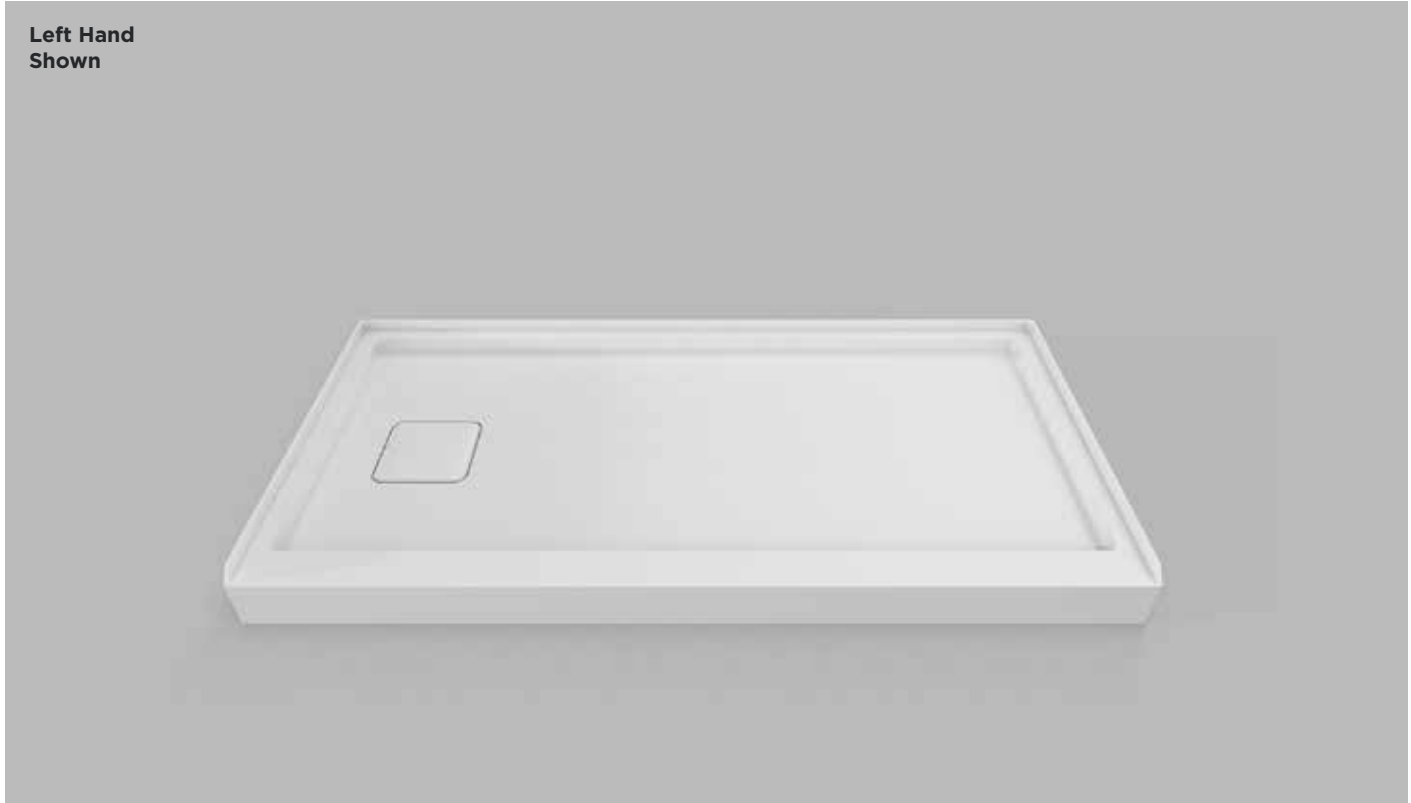
Dimensions (Width x Depth)	Part #	Abbott Series	Ruxton	Cortez / Pristina	Ebony
		10 & 8mm Chrome Section 7 Pg. 4	6mm Chrome Section 7 Pg. 13-14	8mm Chrome Section 7 Pg. 6-7 or 11	6mm Matte Black Section 7 Pg. 8-9
32" x 32"	63034	-	51106	-	-
36" x 36"	63114	-	51146	-	51723
42" x 36"	63184	-	51166	51603.S42LH or 51803	-
48" x 32"	63223	57063	51184	51603.S48LH or 51606.S48RH	51723.51733
48" x 36"	63254	57063	51184		51723.51733
60" x 32"	63364	57073	-	51613.S60LH or 51616.S60RH	51723.51743
60" x 36"	63414	57073			51723.51743

Replacement Covers:

Square 7" x 7" 03015

Rectangular 9 3/8" x 6 3/8" 03016

* Refer to shower door section for additional finish options.



Low Profile

Single Threshold | Covered End Drain

Height: 3"

Compatible Shower Doors

Dimensions (Width x Depth)	Left Drain Part #	Right Drain Part #	Abbott Series 10 & 8mm Chrome Section 7 Pg. 4	Ruxton 6mm Chrome Section 7 Pg. 13-14	Cortez 8mm Chrome Section 7 Pg. 6-7	Ebony 6mm Matte Black Section 7 Pg. 8-9
60" x 30"	63331CD	63351CD	57073	-	51613.S60LH or 51616.S60RH	51723.51743
60" x 32"	63371CD	63391CD	57073	-	51613.S60LH or 51616.S60RH	51723.51743
60" x 36"	63418CD	63419CD	57073	-	51613.S60LH or 51616.S60RH	51723.51743

Replacement Covers:

Square 7" x 7" 03015

* Refer to shower door section for additional finish options.

6 | Shower Bases
Single Threshold

**Minimalist
Sizes**
----->



Minimalist

Single Threshold

Compatible Shower Doors

Height: 2 ½"			Abbott Series 10 & 8mm Chrome Section 7 Pg. 4	Ruxton 6mm Chrome Section 7 Pg. 13-14	Cortez / Pristina 8mm Chrome Section 7 Pg. 6-7 or 11	Ebony 6mm Matte Black Section 7 Pg. 8-9
Dimensions (Width x Depth)		Part #				
36" x 32"	NS	63093		51146		51723
36" x 34"	NS	63102	-	51146	-	51723
36" x 36"		63113		51146		51723
42" x 30"	NS	63158		51166		
42" x 32"	NS	63163		51166	51603.S42LH or 51803	
42" x 34"	NS	63173	-	51166		-
42" x 36"		63183		51166		
48" x 30"	NS	63212	57063	51184		51723.51733
48" x 32"		63222	57063	51184	51603.S48LH or 51606.S48RH	51723.51733
48" x 34"	NS	63242	57063	51184		51723.51733
48" x 36"		63252	57063	51184		51723.51733
54" x 30"	NS	63308				
54" x 32"	NS	63309				
54" x 34"	NS	63310	-	-	-	-
54" x 36"	NS	63311				
60" x 30"		63323	57073			51723.51743
60" x 32"		63363	57073		51613.S60LH or 51616.S60RH	51723.51743
60" x 34"	NS	63403	57073	-		51723.51743
60" x 36"		63413	57073			51723.51743
66" x 32"	NS	63473	57083		51613.S66LH or 51616.S66RH	
66" x 36"		63493	57083	-		-
72" x 32"	NS	63513	57093			
72" x 36"		63533	57093	-	-	-

NS: These sizes are made to order and are generally non-stocking items. Please allow for manufacturing time.
NS models not returnable once ordered.

* Refer to shower door section for additional finish options.

6 | Shower Bases
Single Threshold



Barrier-Free

Single Threshold

Height: 2"

Dimensions (Width x Depth)		Part #
48 x 36	NS	72011
48 x 38	NS	72021
48 x 42	NS	72031
48 x 48	NS	72041
54 x 36	NS	72051
60 x 32		72081
60 x 34		72111
60 x 36		72121
60 x 38		72131
60 x 40		72141
60 x 42		72151
Collapsible Threshold		05010
End Caps for Collapsible Threshold (Barrier Free Showers)		05011

NS: These sizes are made to order and are generally non-stocking items. Please allow for manufacturing time.
 NS models not returnable once ordered.



Barrier-Free

Single Threshold | End Drain

Height: 2"

Dimensions (Width x Depth)	LH-Drain Part #	RH-Drain Part #
60" x 30"	72061	72071
60" x 32"	72091	72101
Collapsible Threshold		05010
End Caps for Collapsible Threshold (Barrier Free Showers)		05011

"Consult technical specifications for threshold heights and drain placements.
Barrier free shower bases are not intended for installation with a shower door."

6 | Shower Bases
Double Threshold

Left Hand Threshold
Shown

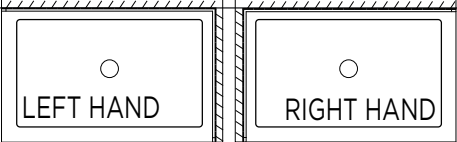
Sizes
----->



Low Profile

Double Threshold | *A Series - Centre Drain

Compatible Shower Doors

Height: 3 7/8"				Abbott Series	Ruxton	Cortez / Pristina	Ebony
Dimensions (Width x Depth)	Left Threshold Part#	Right Threshold Part #		10 & 8mm Chrome Section 7 Pg. 15	6mm Chrome Section 7 Pg. 22	8mm Chrome Section 7 Pg. 16-17 or 20	6mm Matte Black Section 7 Pg. 18-19
32" x 32"		60002A		-	53016	-	-
34" x 34"		60012A		-	53028	-	-
36" x 32"	60014A	60015A		-	53046	-	-
36" x 36"		60032A		-	53036	-	51723.51773
38" x 38"	NS	60041		-	-	-	-
42" x 32"	60042A	60043A		-	-	See Section 7, Pg. 15, 16 for detailed part numbers for compatible doors.	-
42" x 36"	60044A	60045A		-	-	51803.51873	-
42" x 42"	60062A	60062A		-	-		-
48" x 30"	60074A	60075A		57063.57103	-		-
48" x 32"	60084A	60085A		57063.57113	-		51723. 51733.51753
48" x 34"	60094A	60095A		57063.57123	-		-
48" x 36"	60104A	60105A		57063.57133	-		51723. 51733.51773
48" x 42"	NS 60114	60115		-	-	See Section 7, Pg. 15, 16 for detailed part numbers for compatible doors.	-
48" x 48"		60125A		-	-		-
60" x 30"	60134A	60135A		57073.57103	-		-
60" x 32"	60144A	60145A		57073.57113	-		51723. 51743.51753
60" x 34"	60154A	60155A		57073.57123	-		-
60" x 36"	60164A	60165A		57073.57133	-		51723. 51743.51773
60" x 42"	60172A	60173A		-	-		-
66" x 32"	NS 60184	60185		57083.57113	-		-
66" x 36"	NS 60204	60205		57083.57133	-		-
72" x 32"	NS 60224	60225		57093.57113	-	-	-
72" x 36"	60244A	60245A		57093.57133	-	-	-

NS: These sizes are made to order and are generally non-stocking items. Please allow for manufacturing time. NS models not returnable once ordered.

Please, refer to the above drawing before placing the order.

6 | Shower Bases
Double Threshold

Right Hand Threshold
Shown

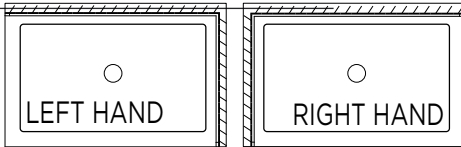


Low Profile

Double Threshold | Covered Drain

Compatible Shower Doors

Height: 3"



Dimensions (Width x Depth)	Left Threshold Part #	Right Threshold Part #	Abbott Series 10 & 8mm Chrome Section 7 Pg. 15	Ruxton 6mm Chrome Section 7 Pg. 22	Cortez / Pristina 8mm Chrome Section 7 Pg. 16-17 or 20	Ebony 6mm Matte Black Section 7 Pg. 18-19
32" x 32"	60004	60004	-	53016	-	-
36" x 36"		60034	-	53036	-	51723.51773
42" x 36"	60048	60049	-	-	51803.51873	-
48" x 32"	60088	60089	57063.57113	-	See Section 7, Pg. 15, 16 for detailed part numbers for compatible doors.	51723. 51733.51753
48" x 36"	60108	60109	57063.57133	-		51723. 51733.51773
60" x 32"	60148	60149	57073.57113	-		51723. 51743.51753
60" x 36"	60168	60169	57073.57133	-		51723. 51743.51773

Replacement Cover

Square	7" x 7"	03015
Rectangular	9 3/8" x 6 3/8"	03016

Please, refer to the above drawing before placing the order.

Right Hand Threshold,
Left Hand Drain
Shown

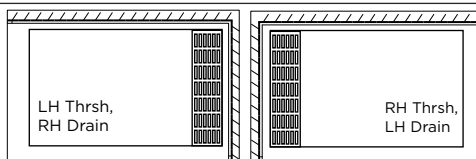


Low Profile

Double Threshold | Linear End Drain (Grill)

Compatible Shower Doors

Height: 3 7/8"



Dimensions (Width x Depth)	LH Threshold, RH Drain Part #	RH Threshold, LH Drain Part #	Abbott Series 10 & 8mm Chrome Section 7 Pg. 15	Ruxton 6mm Chrome Section 7 Pg. 22	Cortez / Pristina 8mm Chrome Section 7 Pg. 16-17 or 20	Ebony 6mm Matte Black Section 7 Pg. 18-19
42" x 36"	60044G	60045G	See Section 7, Pg. 14 for detailed part numbers for compatible doors.	-	51803.51873	-
60" x 30"	60134G	60135G			See Section 7, Pg. 16, 17 for detailed part numbers for compatible doors.	-
60" x 32"	60144G	60145G				
60" x 36"	60164G	60165G				

Replacement Grill Covers (Chrome)

24 7/8"	02999 for 60" x 30" & 60" x 32"
28 7/8"	03000 for 60" x 36"

Please, refer to the above drawing before placing the order.

- Price includes grill cover
- Consult technical specifications for threshold heights and drain placements

6 | Shower Bases Double Threshold

Right Hand
Shown



Minimalist Double Threshold

Compatible Shower Doors

Height: 2 ½"							
			Abbott Series	Ruxton	Cortez	Ebony	
Dimensions (Width x Depth)	Left Threshold Part #	Right Threshold Part #	10 & 8mm Chrome Section 7 Pg. 15	6mm Chrome Section 7 Pg. 22	8mm Chrome Section 7 Pg. 16-17 or 20	6mm Matte Black Section 7 Pg. 18-19	
36" x 36"		60033	-	53036	-	51723.51773	
48" x 36"	60106	60107	57063.57133	-	See Section 7, Pg. 15, 16 for detailed part numbers for compatible doors	51723. 51733.51773	
60" x 30"	60136	60137	57073.57103	-		-	
60" x 32"	60146	60147	57073.57113	-		51723. 51743.51753	
60" x 34"	NS 60156	60157	57073.57123	-		-	
60" x 36"	60166	60167	57073.57133	-		51723. 51743.51773	
66" x 32"	NS 60186	60187	57083.57113	-		-	
66" x 36"	NS 60206	60207	57083.57133	-		-	
72" x 32"	NS 60226	60227	57093.57113	-		-	-
72" x 36"	NS 60246	60247	57093.57133	-		-	-

NS: These sizes are made to order and are generally non-stocking items. Please allow for manufacturing time.
NS models not returnable once ordered.

Please, refer to the above drawing before placing the order.



**Belly Round Front
Corner**

Height: 4 ¼"

Compatible Shower Doors (*Chrome)

Gabriola
6mm

Section 7, Pg. 23

Dimensions	Part#	
34" x 34"	64010	50005
36" x 36"	64012	50007

* Refer to shower door section for additional finish options.

**6 | Shower Bases
Corner**



**Round Front
Corner**

Height: 5"

Dimensions	Part#
32" x 32"	62011
36" x 36"	62020A
40" x 40"	62041

Compatible Shower Doors (*Chrome)

	Single Door	Double Door
	Quadra 8R1 8mm Section 7, Pg. 24	Quadra 8R2 8mm Section 7, Pg. 25
	50046	50048
	50056	50058
	50076	50078

* Refer to shower door section for additional finish options.



**Neo-Angle
Corner**

Height: 4"
9 1/2" (Above floor rough-in compatible)

Compatible Shower Doors (*Chrome)

**Swayze
Single Door**
8mm

Section 7, Pg. 26

Dimensions	Part #	
34" x 34" NS	61011A	
36" x 36"	61021A	54113
36" x 36" NS Above floor rough-in compatible	61022	
38" x 38" NS	61030	54123
38" x 38" NS Above floor rough-in compatible	61031	
40" x 40" NS	61032	54133
42" x 42" NS	61041	54143
48" x 48" NS	61042	54153

NS: These sizes are made to order and are generally non-stocking items. Please allow for manufacturing time.
NS models not returnable once ordered.

* Refer to shower door section for additional finish options.

6 | Shower Bases Receptor

Left Hand Drain Shown
63612



Pender

Alcove | End Drain

Height: 22 1/2"

Part

LH - 63612

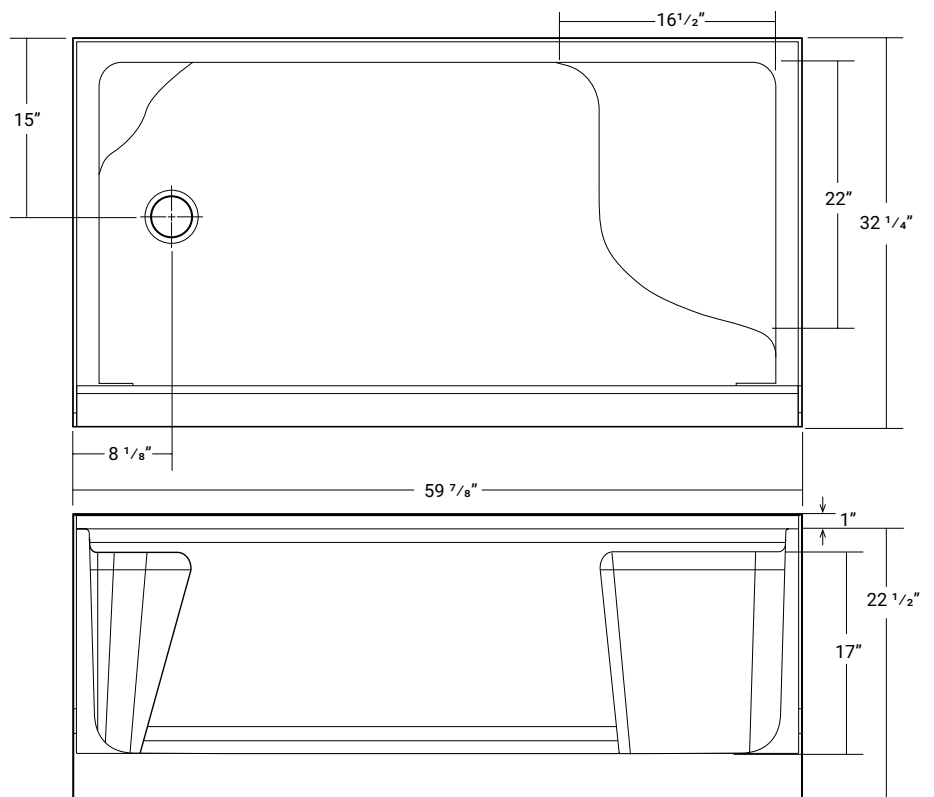
RH - 63613

Features

- 17" comfort height seat
- Soap shelf
- End drain
- Traditional bath replacement size
- Integral tiling flange

Compatible Shower Door

Abbott 60"	Part #
Chrome	57073
Matte Black	57074



Shower Door Index

Bath Door & Screen

Abbott Series 2
Saturna..... 3

Single Threshold

Abbott Series 4
B03 5
Cortez Series Left Hand 6
Cortez Series Right Hand 7
Ebony Series 8
Ebony Extended Series 9
H02 Series Right Hand 10
Pristina Series..... 11
R02 Series..... 12
Ruxton Series 13
Ruxton Extended Series..... 14

Double Threshold

Abbott Series 15
Cortez Series Left Hand 16
Cortez Series Right hand..... 17
Ebony Series 18
Ebony Extended Series 19
Pristina Series..... 20
R02 Series..... 21
Ruxton Series 22

Corner

Gabriola 23
Quadra 8R1 24
Quadra 8R2 25
Swayze 26

Abbott Series

Single Threshold Rolling Door

The Abbott series has an easy-clean coated glass and is held by INOX stainless steel hardware for improved durability.

Frame Style

Frameless

Finish

Chrome or Brushed Nickel

Door Panel

8mm tempered safety glass door

Fixed Panel

10mm tempered safety glass

Reversible

Yes



Nominal Size**	Overall Height	Chrome #	Brushed Nickel #
60"	66"	n/a	56039
60"	56"	56053	n/a

* Limited availability; please call before ordering

** Measurements are the rough-in dimensions of the bathtub before wallboard & tiling

Saturna

Single Threshold Bath Screen

The Saturna bathtub screen has an easy-clean coated glass and is held by INOX stainless steel hardware for improved durability.

Overall Height

51 1/8"

Frame Style

Frameless

Finish

Chrome or Brushed Nickel

Screen

6mm pivoting bath screen

Reversible

Yes



Finished Span	Chrome #	Brushed Nickel #
27 1/2"	58053	58050

7 | Doors
Single Threshold



Abbott Series

Single Threshold Rolling Door

The Abbott series has an easy-clean coated glass and is held by INOX stainless steel hardware for improved durability.

Overall Height

78 3/4" (74 3/4" Walk-In height)

Frame Style

Frameless door



Finish

Chrome, Brushed Nickel, or Matte Black

Door Panel

8mm tempered safety glass door

Fixed Panel

10mm tempered safety glass

Reversible

Yes

Nominal Base Size**	Finished Span	Chrome #	Brushed Nickel #	Matte Black #
48"	45 5/8" - 46 5/8"	57063	n/a	57064
60"	57 5/8" - 58 5/8"	57073	n/a	57074
66"	63 5/8" - 64 5/8"	57083	57080	n/a
72"	69 5/8" - 70 5/8"	57093	57090	n/a

** Measurements relate to the matching shower base sizes at rough-in stage (pre-finishing)

B03

Single Threshold
Sliding Bypass Door

The B03 sliding door is held by INOX stainless steel hardware for improved durability.

Frame Style

Semi-Frameless

Finish

Chrome or brushed nickel

Door Panel

8mm tempered safety glass door

Reversible

No



Nominal Base Size**	Overall Height	Chrome #	Brushed Nickel #
60"	74"	51024	51022
60"	66"	51027	n/a

* Limited availability; please call before ordering

** Measurements relate to the matching shower base sizes at rough-in stage (pre-finishing)



Cortez Series Left Hand Door

Single Threshold Hinged Door

The Cortez series has an easy-clean coated glass and is held by INOX stainless steel hardware for improved durability.

Overall Height

78 ¾" (77 ½" Walk-In height)

Frame Style

Semi-Frameless

Finish

Chrome

Door Panel

8mm tempered safety glass door

Fixed Panel

8mm tempered safety glass

Reversible

No

Nominal Base Size**	Finished Span	LH Door #
42"	39 ¾" - 40 ⅛"	51603.S42LH
48"	43 ⅝" - 46 ⅜"	51603.S48LH
60"	57 ¾" - 58 ⅛"	51613.S60LH
66"	63 ¾" - 64 ⅛"	51613.S66LH

** Measurements relate to the matching shower base sizes at rough-in stage (pre-finishing)

Cortez Series Right Hand Door

Single Threshold Hinged Door

The Cortez series has an easy-clean coated glass and is held by INOX stainless steel hardware for improved durability.

Overall Height

78 $\frac{3}{4}$ " (77 $\frac{1}{2}$ " Walk-In height)

Frame Style

Semi-Frameless

Finish

Chrome

Door Panel

8mm tempered safety glass door

Fixed Panel

8mm tempered safety glass

Reversible

No



Nominal Base Size**	Finished Span	RH Door #
48"	43 $\frac{5}{8}$ " - 46 $\frac{3}{8}$ "	51606.S48RH
60"	57 $\frac{3}{4}$ " - 58 $\frac{1}{8}$ "	51616.S60RH
66"	63 $\frac{3}{4}$ " - 64 $\frac{1}{8}$ "	51616.S66RH

** Measurements relate to the matching shower base sizes at rough-in stage (pre-finishing)

7 | Doors
Single Threshold



Ebony Series

Single Threshold Pivot Door

The Ebony series has an easy-clean coated glass and is held by INOX stainless steel hardware for improved durability.

Overall Height

78 ¾"

Frame Style

Framed

Finish

Matte Black

Door Panel

6mm tempered safety glass door

Reversible

Yes

Nominal Base Size**

36"

Finished Span

33 ⅛" - 34 ⅜"

Matte Black

51723

** Measurements relate to the matching shower base sizes at rough-in stage (pre-finishing)

Ebony Extended Series

Single Threshold Pivot Door

The Ebony extended series has an easy-clean coated glass and is held by INOX stainless steel hardware for improved durability.

Overall Height

78 $\frac{3}{4}$ "

Frame Style

Framed

Finish

Matte Black

Door Panel

6mm tempered safety glass door

Fixed Panel

6mm tempered safety glass

Reversible

Yes



Nominal Base Size**	Finished Span	Matte Black #
48"	45 $\frac{1}{8}$ " - 46 $\frac{3}{8}$ "	51723.51733
60"	57 $\frac{1}{8}$ " - 58 $\frac{3}{8}$ "	51723.51743

** Measurements relate to the matching shower base sizes at rough-in stage (pre-finishing)



H02 Series Right Hand Door Only

Single Threshold Hinged Door

The H02 series has an easy-clean coated glass and is held by INOX stainless steel hardware for improved durability.

Overall Height

74"

Frame Style

Frameless

Finish

Chrome

Door Panel (Right Hand Only)

8mm tempered safety glass door

Fixed Panel

8mm tempered safety glass

Reversible

No

Nominal Base Size**

42"

60"

Finished Span

39 1/2" - 41 1/2"

57" - 59"

RH Door

57001

57005

** Measurements relate to the matching shower base sizes at rough-in stage (pre-finishing)

Pristina Series

Single Threshold Hinged Door

The Pristina series has an easy-clean coated glass and is held by INOX stainless steel hardware for improved durability.

Overall Height

78 ¾"

Frame Style

Frameless

Finish

Chrome

Door Panel

8mm tempered safety glass door

Fixed Panel

8mm tempered safety glass

Reversible

Yes



Nominal Base Size**	Finished Span	Chrome #
42"	40"±¼"	51803

** Measurements relate to the matching shower base sizes at rough-in stage (pre-finishing)

7 | Doors
Single Threshold

R02 Series

Single Threshold Rolling Door

The R02 series is held by INOX stainless steel hardware for improved durability.

Overall Height

78 ¾"

Frame Style

Frameless

Finish

Chrome

Door Panel

12mm tempered safety glass door

Reversible

Yes



Nominal Base Size**	Finished Span	Chrome #	Brushed Nickel #
48"	45 ¼" - 46 ⅛"	n/a	51240
60"	57 ¼" - 58 ⅛"	51253	51250

* Limited availability; please call before ordering.

** Measurements relate to the matching shower base sizes at rough-in stage (pre-finishing)



Ruxton Series

Single Threshold Pivot Door

The Ruxton series has an easy-clean coated glass and is held by INOX stainless steel hardware for improved durability.

Overall Height

72 7/8"

Frame Style

Frameless

Finish

Chrome, Brushed Nickel, or Matte Black

Door Panel

6mm tempered safety glass door

Reversible

Yes

Nominal Base Size**	Chrome #	Brushed Nickel #	Matte Black #
32"	51106	n/a	n/a
34"	51126	n/a	n/a
36"	51146	51147	51144

* Limited availability of Brushed Nickel finish; please call before ordering.

** Measurements relate to the matching shower base sizes at rough-in stage (pre-finishing)

7 | Doors
Single Threshold



Ruxton Extended Series

Single Threshold Pivot Door

The Ruxton series has an easy-clean coated glass and is held by INOX stainless steel hardware for improved durability.

Overall Height

72 7/8"

Frame Style

Frameless

Finish

Chrome or Matte Black

Door Panel

6mm tempered safety glass door

Door Opening

25 7/8"

Fixed Panel

6mm tempered safety glass

Reversible

Yes

Nominal Base Size**	Finished Span	Chrome #	Matte Black #
42"	39 1/4" - 40 1/2"	51166	51168
48"	45 1/4" - 46 1/2"	51184	n/a

** Measurements are the rough-in shower base sizes



Abbott Series

Double Threshold Rolling Door

Overall Height

78 ¾" (74 ⅜ Walk-In height)

Frame Style

Frameless door



Door Panel

8mm tempered safety glass door

Fixed Panel

10mm tempered safety glass

Reversible

Yes

Nominal Base Size**	Nominal Return Size	Chrome #	Brushed Nickel #	Matte Black #
48"	30"	57063.57103	n/a	n/a
	32"	57063.57113	n/a	57064.57114
	34"	57063.57123	n/a	n/a
	36"	57063.57133	n/a	57064.57134
60"	30"	57073.57103	n/a	n/a
	32"	57073.57113	n/a	57074.57114
	34"	57073.57123	n/a	n/a
	36"	57073.57133	n/a	57074.57134
66"	30"	57083.57103	57080.57100	n/a
	32"	57083.57113	57080.57110	n/a
	34"	57083.57123	57080.57120	n/a
	36"	57083.57133	57080.57130	n/a
72"	30"	57093.57103	57090.57100	n/a
	32"	57093.57113	57090.57110	n/a
	34"	57093.57123	57090.57120	n/a
	36"	57093.57133	57090.57130	n/a

** Measurements relate to the matching Acritec shower base sizes at rough-in stage (pre-finished)

7 | Doors
Double Threshold

Cortez Series, Left hand

Double Threshold Hinged Door

Overall Height

78 ¾" (77 ½ Walk-In height)

Frame Style

Semi-Frameless

Door Panel

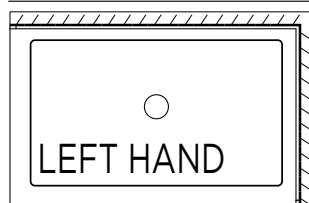
8mm tempered safety glass door

Fixed Panel

8mm tempered safety glass

Reversible

No



Nominal Base Size**	Nominal Return Size	LH Threshold #
42"	30"	51603.S42LH.51643
	32"	51603.S42LH.51653
	34"	51603.S42LH.51663
	36"	51603.S42LH.51673
48"	30"	51603.S48LH.51643
	32"	51603.S48LH.51653
	34"	51603.S48LH.51663
	36"	51603.S48LH.51673
60"	30"	51613.S60LH.51643
	32"	51613.S60LH.51653
	34"	51613.S60LH.51663
	36"	51613.S60LH.51673
66"	30"	51613.S66LH.51643
	32"	51613.S66LH.51653
	34"	51613.S66LH.51663
	36"	51613.S66LH.51673

** Measurements relate to the matching shower base sizes at rough-in stage (pre-finishing)



Cortez Series, Right Hand

Double Threshold Hinged Door

Overall Height

78 ¾" (77 ½ Walk-In height)

Frame Style

Semi-Frameless

Door Panel

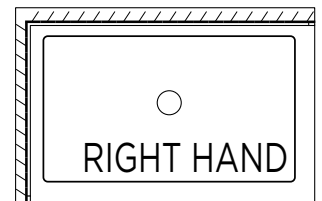
8mm tempered safety glass door

Fixed Panel

8mm tempered safety glass

Reversible

No



Nominal Base Size**	Nominal Return Size	RH Threshold #
48"	30"	51606.S48RH.51643
	32"	51606.S48RH.51653
	34"	51606.S48RH.51663
	36"	51606.S48RH.51673
60"	30"	51616.S60RH.51643
	32"	51616.S60RH.51653
	34"	51616.S60RH.51663
	36"	51616.S60RH.51673
66"	30"	51616.S66RH.51643
	32"	51616.S66RH.51653
	34"	51616.S66RH.51663
	36"	51616.S66RH.51673

** Measurements relate to the matching shower base sizes at rough-in stage (pre-finishing)

7 | Doors
Double Threshold

Ebony Series

Double Threshold Pivot Door

The Ebony series has an easy-clean coated glass and is held by INOX stainless steel hardware for improved durability.

Overall Height

78 ¾"

Frame Style

Framed

Finish

Matte Black

Door Panel

6mm tempered safety glass door

Fixed Panel

6mm tempered safety glass

Reversible

Yes



Nominal Base Size**

36"

Nominal Return Size

36"

Matte Black #

51723.51773

** Measurements relate to the matching shower base sizes at rough-in stage (pre-finishing)



Ebony Extended Series

Double Threshold Pivot Door

The Ebony extended series has an easy-clean coated glass and is held by INOX stainless steel hardware for improved durability.

Overall Height

78 ¾"

Frame Style

Framed

Finish

Matte Black

Door Panel

6mm tempered safety glass door

Fixed Panel

6mm tempered safety glass

Reversible

Yes

Nominal Base Size**	Nominal Return Size	Matte Black #
48"	32"	51723.51733.51753
	36	51723.51733.51773
60"	32"	51723.51743.51753
	36"	51723.51743.51773

** Measurements relate to the matching shower base sizes at rough-in stage (pre-finishing)

7 | Doors
Double Threshold

Pristina Series

Double Threshold Hinged Door

The Pristina series has an easy-clean coated glass and is held by INOX stainless steel hardware for improved durability.

Overall Height

78 ¾"

Frame Style

Frameless

Finish

Chrome

Door Panel

8mm tempered safety glass door

Fixed Panel

8mm tempered safety glass

Reversible

Yes



Nominal Base Size**

42"

Nominal Return Size

36"

Chrome #

51803.51873

** Measurements relate to the matching shower base sizes at rough-in stage (pre-finishing)



R02 Series

Double Threshold Rolling Door

The R02 series is held by INOX stainless steel hardware for improved durability

Overall Height

78 ¾"

Frame Style

Frameless

Finish

Chrome or Brushed Nickel

Door Panel

12mm tempered safety glass door

Fixed Panel

12mm tempered safety glass

Reversible

Yes

Nominal Base Size**	Nominal Return Size	Chrome #	Brushed Nickel #
48"	30"	n/a	51240.53167
	32"	n/a	51240.53170
	34	n/a	51240.53180
	36	n/a	51240.53190
60"	30"	51253.53166	51250.53167
	32"	51253.53173	51250.53170
	34"	51253.53183	51250.53180
	36"	51253.53193	51250.53190

Note: Fixed panels must be installed directly against the walls. The door panel can't be installed adjacent to a wall

* Limited availability; please call before ordering

** Measurements relate to the matching shower base sizes at rough-in stage (pre-finished)

7 | Doors
Double Threshold



Ruxton Series

Double Threshold Pivot Door

The Ruxton series has an easy-clean coated glass and is held by INOX stainless steel hardware for improved durability

Overall Height

72 7/8"

Frame Style

Frameless

Finish

Chrome, Brushed Nickel, Matte Black

Door Panel

6mm tempered safety glass door

Fixed Panel

6mm tempered safety glass

Reversible

Yes

Nominal Base Size **	Chrome #	Brushed Nickel #	Matte Black #
32" x 32"	53016	53017	n/a
34" x 34"	53028	53027	n/a
36" x 36"	53036	n/a	53034
36" x 32" (36" Door)	53046	n/a	n/a

** Measurements relate to the matching shower base sizes at rough-in stage (pre-finishing)

Gabriola

Corner Belly Base Rolling Door

The Gabriola series has an easy-clean coated glass and is held by INOX stainless steel hardware for improved durability

Overall Height

72 7/8"

Frame Style

Frameless

Finish

Chrome

Door Panel

6mm tempered safety glass door

Fixed Panel

6mm tempered safety glass

Reversible

Yes



Nominal Base Size**	Chrome #
34" x 34"	50005
36" x 36"	50007

** Measurements relate to the matching shower base sizes at rough-in stage (pre-finished)



Quadra 8R1

Corner Round Front Sliding Door

The Quadra series has an easy-clean coated glass and is held by INOX stainless steel hardware for improved durability.

Overall Height

78"

Frame Style

Semi-Frameless

Finish

Chrome

Door Panel

8mm tempered safety glass door

Reversible

Yes

Nominal Base Size**	Chrome #
32" x 32"	50046
36" x 36"	50056
40" x 40"	50076

** Measurements relate to the matching shower base sizes at rough-in stage (pre-finishing)

Quadra 8R2

Corner Double Sliding Door

The Quadra series has an easy-clean coated glass and is held by INOX stainless steel hardware for improved durability.

Overall Height

78"

Frame Style

Semi-Frameless

Finish

Chrome

Door Panel

8mm tempered safety glass door

Reversible

Yes



Nominal Base Size**	Chrome #
32" x 32"	50048
36" x 36"	50058
40" x 40"	50078

** Measurements relate to the matching shower base sizes at rough-in stage (pre-finishing)



Swayze

Corner Neo-Angle Pivot Door

The Swayze has an easy-clean coated glass and is held by INOX stainless steel hardware for improved durability.

Overall Height

74"

Frame Style

Semi-Frameless

Finish

Chrome

Door Panel

8mm tempered safety glass door

Handle & Hinger Finish

Chrome

Reversible

Yes

Nominal Base Size**	Chrome #	Brushed Nickel # Handle & Hinger Finish : Chrome
36" x 36"	54113	54110
38" X 38"	54123	54120
40" X 40"	54133	54130
42" x 42"	54143	54140
48" x 48"	54153	54150

** Measurements relate to the matching shower base sizes at rough-in stage (pre-finishing)

Basin Index

Basins - White unless otherwise indicated

Counter-Top

36400.....	2	36439.....	6	36646.....	10
36402.....	2	36447.....	6	36647.....	11
36403.....	2	36461.....	6	36647-BLK.....	11
36405.....	2	36490.....	7	36647-GRN.....	11
36407.....	3	36501/04/08.....	7	36647-GRY.....	11
36412.....	3	36511/14.....	7	36648.....	12
36415.....	3	36519.....	7	36649.....	12
36417L.....	3	36552.....	8	36650.....	12
36420.....	4	36560.....	8	36651.....	12
36422.....	4	36563.....	8	36652.....	13
36423.....	4	36642.....	8	36652-BLK.....	13
36424.....	4	36643.....	9	36652-GRN.....	13
36425.....	5	36643-BLK.....	9	36652-GRY.....	13
36427.....	5	36643-GRN.....	9	36653.....	14
36428.....	5	36643-GRY.....	9	36654.....	14
36430.....	5	36644.....	10		
36432.....	6	36645.....	10		

Drop-In

36771.....	15	36811/14/18.....	15	36861/64/68.....	15
------------	----	------------------	----	------------------	----

Undermount

36905.....	16	36955.....	17	36990.....	18
36925.....	16	36960.....	17	04000.....	18
36940.....	16	36970C.....	17		
36950.....	17	36977.....	18		
		36981C.....	18		

Pure Basin

Single Offset Bowl.....	19	Semi Recessed.....	21
Double Bowl.....	20	Single Bowl.....	21

8 | Basins
Counter-Top



36400

Dimensions

24 ³/₄" x 15 ³/₄" x 7"

Back

Finished

Overflow

Yes

Faucet Hole

None

Profile

Standard



36402

Dimensions

16" x 16" x 5"

Back

Finished

Overflow

No

Faucet Hole

None

Profile

Ultra Thin



36403

Dimensions

16 ⁷/₈" x 16 ⁷/₈" x 5 ⁷/₈"

Back

Finished

Overflow

No

Faucet Hole

None

Profile

Standard



36405

Dimensions

22" x 19 ³/₄" x 5 ¹/₄"

Back

Finished

Overflow

Yes

Faucet Hole

None

Profile

Standard

36407

Dimensions

23" x 17" x 3"

Overflow

Yes

Profile

Standard

Back

Unfinished

Faucet Hole

Single



36412

Dimensions

23 1/2" x 19" x 7 3/4"

Overflow

Yes

Profile

Standard

Back

Unfinished

Faucet Hole

Single



36415

Dimensions

16" x 16" x 5 1/8"

Overflow

No

Profile

Standard

Back

Finished

Faucet Hole

None



36417L

Dimensions

23 7/8" x 15 3/4" x 7 1/8"

Overflow

Yes

Profile

Standard

Back

Finished

Faucet Hole

None



8 | Basins
Counter-Top



36420

Dimensions

15 $\frac{3}{4}$ " x 15 $\frac{3}{4}$ " x 4 $\frac{1}{2}$ "

Back

Finished

Overflow

No

Faucet Hole

None

Profile

Standard



36422

Dimensions

16 $\frac{1}{2}$ " x 16 $\frac{1}{2}$ " x 5"

Back

Unfinished

Overflow

Yes

Faucet Hole

Single

Profile

Ultra Thin



36423

Dimensions

19 $\frac{5}{8}$ " x 16 $\frac{1}{2}$ " x 5"

Back

Unfinished

Overflow

Yes

Faucet Hole

Single

Profile

Ultra-Thin



36424

Dimensions

23 $\frac{1}{2}$ " x 17" x 5"

Back

Unfinished

Overflow

Yes

Faucet Hole

Single

Profile

Ultra-Thin

36425

Dimensions

23 ¼" x 16 ¼" x 4"

Overflow

No

Profile

Standard

Back

Finished

Faucet Hole

None



36427

Dimensions

17 ¾" x 17 ¾" x 4 ¾"

Overflow

No

Profile

Standard

Back

Finished

Faucet Hole

None



36428

Dimensions

16 ⅛" x 16 ⅛" x 5 ½"

Overflow

No

Profile

Standard

Back

Finished

Faucet Hole

None



36430

Dimensions

24 ¾" x 15 ¾" x 5 ¼"

Overflow

No

Profile

Standard

Back

Finished

Faucet Hole

None



8 | Basins
Counter-Top



36432

Dimensions

15 $\frac{3}{4}$ " x 15 $\frac{3}{4}$ " x 6 $\frac{1}{4}$ "

Back

Finished

Overflow

No

Faucet Hole

None

Profile

Standard



36439

Dimensions

23 $\frac{1}{2}$ " x 18 $\frac{1}{2}$ " x 5 $\frac{1}{4}$ "

Back

Unfinished

Overflow

Yes

Faucet Hole

Single

Profile

Standard



36447

Dimensions

19 $\frac{3}{4}$ " x 14 $\frac{1}{4}$ " x 6"

Back

Unfinished

Overflow

Yes

Faucet Hole

None

Profile

Standard



36461

Dimensions

19 $\frac{1}{2}$ " x 19 $\frac{1}{2}$ " x 5 $\frac{1}{2}$ "

Back

Unfinished

Overflow

Yes

Faucet Hole

Single

Profile

Standard

36490

Dimensions

19" x 19" x 7 1/2"

Overflow

Yes

Profile

Standard

Back

Finished

Faucet Hole

None



36501-1H 36504-4"cc 36508-8"cc

Dimensions

18" x 18" x 6 1/4"

Overflow

Yes

Profile

Standard

Back

Unfinished

Faucet Hole

Multiple Options



36511-1H 36514-4"cc

Dimensions

18 1/2" x 18 1/2" x 6"

Overflow

Yes

Profile

Standard

Back

Unfinished

Faucet Hole

Multiple Options



36519

Dimensions

28 3/4" x 19 3/4" x 6 1/4"

Overflow

Yes

Profile

Standard

Back

Unfinished

Faucet Hole

None



8 | Basins
Counter-Top



36552

Dimensions

18 ¼" x 18 ¼" x 6 ¼"

Back

Unfinished

Overflow

Yes

Faucet Hole

Single

Profile

Standard



36560

Dimensions

22 ¾" x 14 ¾" x 6 ¼"

Back

Finished

Overflow

No

Faucet Hole

None

Profile

Standard



36563

Dimensions

23 ¾" x 16 ¼" x 4"

Back

Finished

Overflow

No

Faucet Hole

None

Profile

Standard



36642

Dimensions

23 ½" x 15 ½" x 5 ¾"

Back

Finished

Overflow

No

Faucet Hole

None

Profile

Ultra Thin

36643

Dimensions

19" x 15 1/2" x 5 1/2"

Overflow

No

Profile

Ultra Thin

Back

Finished

Faucet Hole

None

Finish

Gloss



36643-BLK

Dimensions

19" x 15 1/2" x 5 1/2"

Overflow

No

Colour

Black

Back

Finished

Faucet Hole

None

Finish

Matte



36643-GRN

Dimensions

19" x 15 1/2" x 5 1/2"

Overflow

No

Colour

Green

Back

Finished

Faucet Hole

None

Finish

Matte



36643-GRY

Dimensions

19" x 15 1/2" x 5 1/2"

Overflow

No

Colour

Grey

Back

Finished

Faucet Hole

None

Finish

Matte



8 | Basins
Counter-Top



36644

Dimensions

14 $\frac{5}{8}$ " x 14 $\frac{5}{8}$ " x 4 $\frac{1}{2}$ "

Overflow

No

Profile

Ultra Thin

Back

Finished

Faucet Hole

None



36645

Dimensions

24" x 16" x 4 $\frac{1}{2}$ "

Overflow

No

Profile

Ultra Thin

Back

Finished

Faucet Hole

None



36646

Dimensions

19 $\frac{5}{8}$ " x 15 $\frac{3}{4}$ " x 4 $\frac{3}{8}$ "

Overflow

No

Profile

Ultra Thin

Back

Finished

Faucet Hole

None

36647

Dimensions

14 ¼" x 14 ¼" x 4 ¼"

Overflow

No

Profile

Ultra Thin

Back

Finished

Faucet Hole

None

Finish

Gloss



36647-BLK

Dimensions

14 ¼" x 14 ¼" x 4 ¼"

Overflow

No

Colour

Black

Back

Finished

Faucet Hole

None

Finish

Matte



36647-GRN

Dimensions

14 ¼" x 14 ¼" x 4 ¼"

Overflow

No

Colour

Green

Back

Finished

Faucet Hole

None

Finish

Matte



36647-GRY

Dimensions

14 ¼" x 14 ¼" x 4 ¼"

Overflow

No

Colour

Green

Back

Finished

Faucet Hole

None

Finish

Matte



8 | Basins
Counter-Top



36648

Dimensions

18 1/2" x 14 1/8" x 4 3/8"

Back

Finished

Overflow

No

Faucet Hole

None

Profile

Ultra Thin



36649

Dimensions

18 1/4" x 18 1/4" x 4"

Back

Finished

Overflow

No

Faucet Hole

Single

Profile

Ultra Thin



36650

Dimensions

18 1/4" x 18 1/4" x 3 1/2"

Back

Finished

Overflow

No

Faucet Hole

Single

Profile

Ultra Thin



36651

Dimensions

19 7/8" x 15 1/8" x 4 3/4"

Back

Finished

Overflow

No

Faucet Hole

Single

Profile

Ultra Thin

36652

Dimensions

14" x 14" x 4 1/2"

Overflow

No

Profile

Ultra Thin

Back

Finished

Faucet Hole

None

Finish

Gloss



36652-BLK

Dimensions

14" x 14" x 4 1/2"

Overflow

No

Profile

Ultra Thin

Back

Finished

Faucet Hole

None

Finish

Matte



36652-GRN

Dimensions

14" x 14" x 4 1/2"

Overflow

No

Profile

Ultra Thin

Back

Finished

Faucet Hole

None

Finish

Matte



36652-GRY

Dimensions

14" x 14" x 4 1/2"

Overflow

No

Profile

Ultra Thin

Back

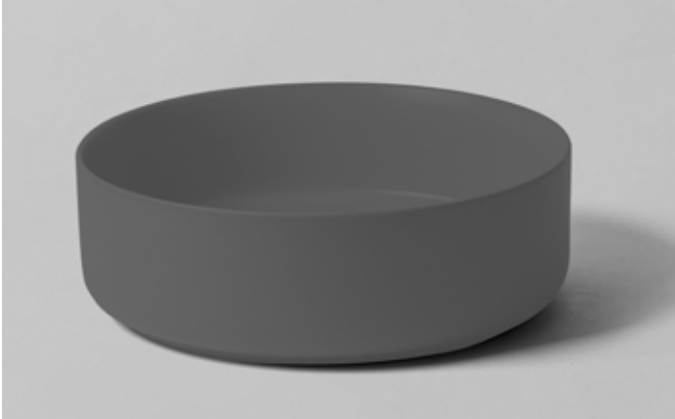
Finished

Faucet Hole

None

Finish

Matte



8 | Basins
Counter-Top



36653

Dimensions

17 $\frac{3}{4}$ " x 17 $\frac{3}{4}$ " x 4 $\frac{1}{8}$ "

Overflow

No

Profile

Ultra Thin

Back

Finished

Faucet Hole

Single



36654

Dimensions

17 $\frac{3}{8}$ " x 17 $\frac{3}{8}$ " x 5 $\frac{1}{2}$ "

Overflow

No

Profile

Ultra Thin

Back

Finished

Faucet Hole

None

36771

Dimensions

16 $\frac{3}{8}$ " x 16 $\frac{3}{8}$ " x 7"

Overflow

Yes

Faucet Hole

Single



36811-1H 36814-4"cc 36818-8"cc

Dimensions

16 $\frac{3}{8}$ " x 16 $\frac{3}{8}$ " x 7"

Overflow

Yes

Faucet Hole

Multiple Options



36861-1H 36864-4"cc 36868-8"cc

Dimensions

21" x 17 $\frac{7}{8}$ " x 7 $\frac{3}{8}$ "

Overflow

Yes

Faucet Hole

Multiple Options



**8 | Basins
Undermount**



36905

Dimensions

17 ¾" x 15" x 7 ¼"

Shape

Oval

Overflow

Yes

Profile

Curved



36925

Dimensions

21 7/8" x 17 3/8" x 7 3/4"

Shape

Oval

Overflow

Yes

Profile

Curved



36940

Dimensions

17 1/8" x 17 1/8" x 7 1/2"

Shape

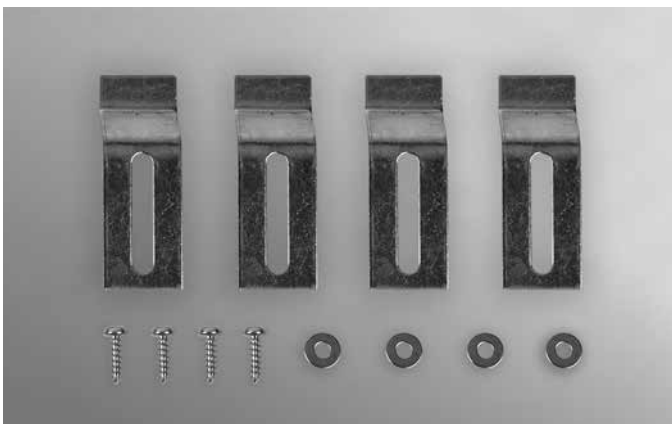
Square

Overflow

Yes

Profile

Curved (Scooped Front)



04000

Description

Undermount Installation Kit

36950

Dimensions

20 $\frac{5}{8}$ " x 14 $\frac{5}{8}$ " x 8"

Overflow

Yes

Shape

Rectilinear

Profile

Curved



36955

Dimensions

22" x 15" x 7"

Overflow

Yes

Shape

Rectilinear

Profile

Curved



36960

Dimensions

19" x 16 $\frac{1}{4}$ " x 6 $\frac{3}{4}$ "

Overflow

Yes

Shape

Oval

Profile

Curved



36970C

Dimensions

19 $\frac{7}{8}$ " x 15 $\frac{3}{4}$ " x 7"

Overflow

Yes

Shape

Rectilinear

Profile

Angular



**8 | Basins
Undermount**



36977

Dimensions

18" x 14" x 7 1/8"

Shape

Rectilinear

Overflow

Yes

Profile

Angular



36981C

Dimensions

16" x 16" x 7"

Shape

Rectilinear

Overflow

Yes

Profile

Angular



36990

Dimensions

16 1/4" x 16 1/4" x 6 3/4"

Shape

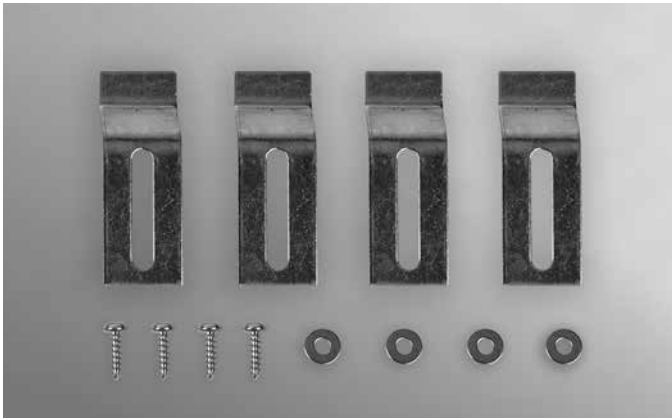
Square

Overflow

Yes

Profile

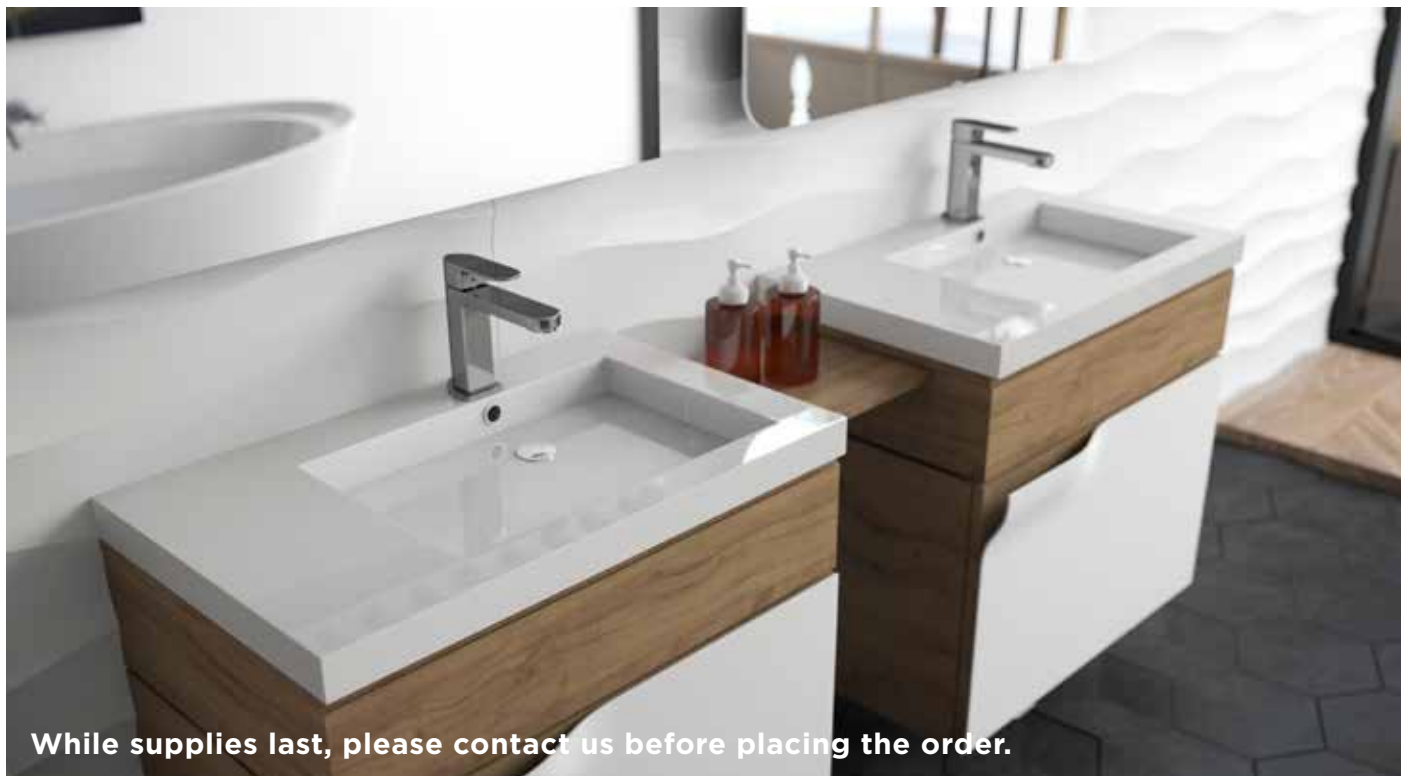
Angular



04000

Description

Undermount Installation Kit



While supplies last, please contact us before placing the order.

Single Offset Bowl - Must add drilling for faucet

Model	Dimensions	Profile Height	LH Drain #	RH Drain #
RA-3020	29 1/8" x 19 1/2"	3 5/8"	30021	30031
RA-3020LP	29 1/8" x 19 1/2"	1 5/8"	30022	30032
RA-3620	35 1/8" x 19 1/2"	3 5/8"	30061	30071
RA-3620LP	35 1/8" x 19 1/2"	1 5/8"	30062	30072
RA-4720	47" x 19 3/8"	4"	30101	30111
RA-4720LP	47" x 19 3/8"	1 5/8"	30102	30112

Example: 30021.01 = RA-3020 LH Basin with a single faucet hole.

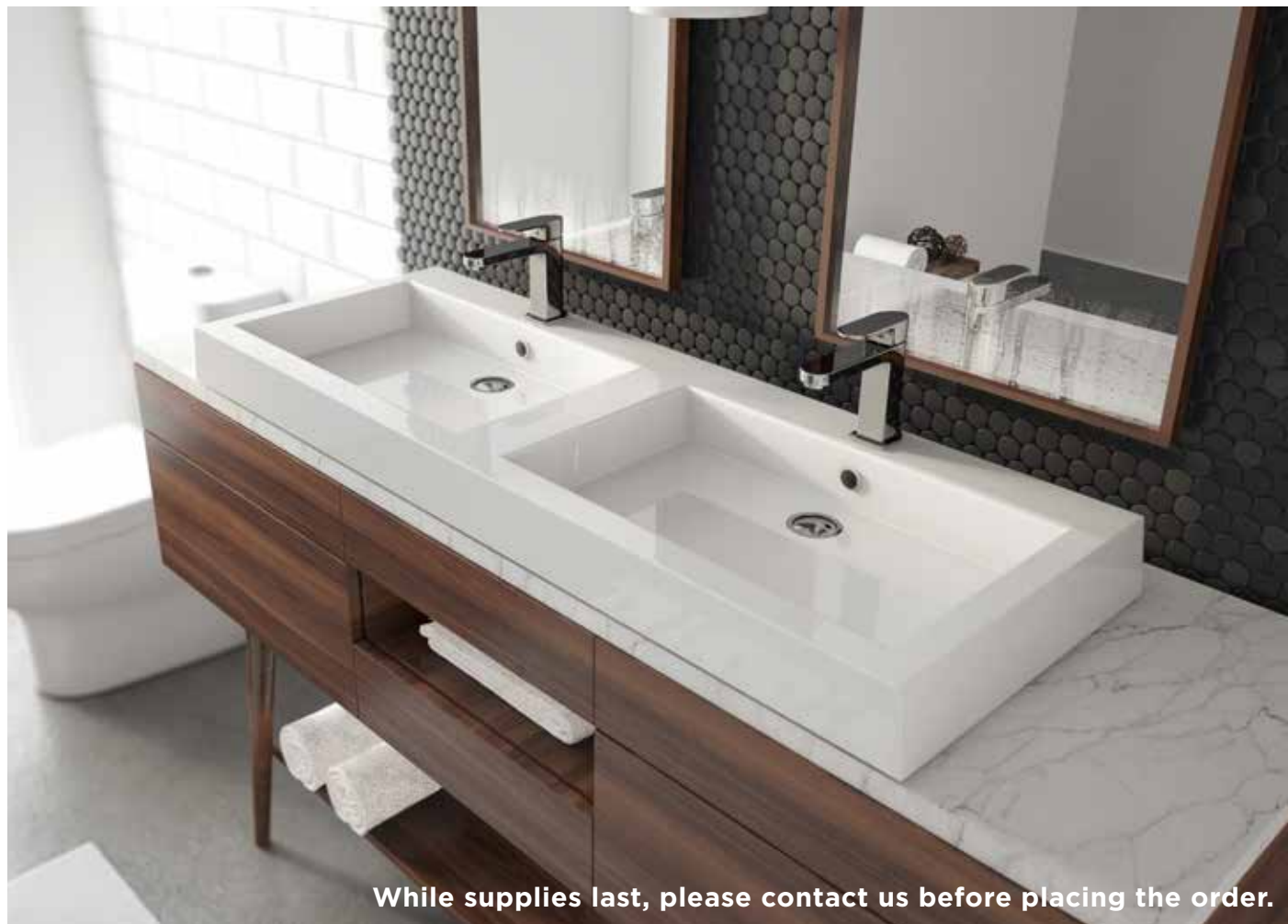
Pure Basins Options

- Available with finished backs upon request
- Available in a variety of profile heights
- Custom heights may be available upon request
- Include drilling instructions when ordering

Pre-Drilled Faucet Holes

Single Hole Centered	Add ("-01" to part number)
3 Holes @ 4"	Add ("-04" to part number)
3 Holes @ 8"	Add ("-08" to part number)

8 | Basins
Pure Basin



While supplies last, please contact us before placing the order.

Double Bowl - Must add drilling for faucet

Model	Dimensions	Profile Height	Part #
RA-5520	54 ¾" x 19 ½"	4"	30121
RA-5520LP	54 ¾" x 19 ½"	1 ⅝"	30122

Example: 30021.01 = RA-3020 LH Basin with a single faucet hole.

Pure Basins Options

- Available with finished backs upon request
- Available in a variety of profile heights
- Custom heights may be available upon request
- Include drilling instructions when ordering

Pre-Drilled Faucet Holes

Single Hole Centered	Add ("-01" to part number)
3 Holes @ 4"	Add ("-04" to part number)
3 Holes @ 8"	Add ("-08" to part number)

Pure Basins Options

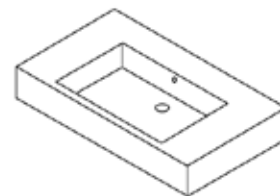
- Available with finished backs upon request
- Available in a variety of profile heights
- Custom heights may be available upon request
- Include drilling instructions when ordering

Pre-Drilled Faucet Holes

Single Hole Centered	Add ("-01" to part number)
3 Holes @ 4"	Add ("-04" to part number)
3 Holes @ 8"	Add ("-08" to part number)

Semi Recessed, Single Bowl, Centered

Model	Dimensions	Part #
RM-2120C	20 1/8" x 19 1/2" x 6 1/8"	30141



Example: 30141.01 = RM-2120C Basin with a single faucet hole.

While supplies last, please contact us before placing the order.

Single Bowl

Model	Dimensions	Profile Height	Part #
RM-1818C	18 1/8" x 18"	5"	30131
RA-2018C	19 3/4" x 18"	3 5/8"	30010
RA-2200C	21 1/2" x 19 5/8"	3 5/8"	30011
RA-2200CLP	21 1/2" x 19 5/8"	1 5/8"	30012
RM-2418CLP	23 3/8" x 17 5/8"	1 5/8"	30152
RM-2422C	24 3/8" x 22 1/4"	3 5/8"	30014
RM-2422CLP	24 3/8" x 22 1/4"	1 5/8"	30013
RM-2722C	27 1/4" x 22 1/8"	3 5/8"	30015
RM-2722CLP	27 1/4" x 22 1/8"	1 5/8"	30016
RM-3022C	30 1/2" x 22 1/8"	3 5/8"	30045
RM-3022CLP	30 1/2" x 22 1/8"	1 5/8"	30046
RM-3622C	36 3/8" x 22 1/4"	3 5/8"	30085
RM-3622CLP	36 3/8" x 22 1/4"	1 5/8"	30086

Example: 30021.01 = RA-3020 LH Basin with a single faucet hole.

Sink Index

Notes

Installation clamps included for all stainless steel sinks

Kitchen

Drop-In

Classical Bar.....2	240244	25130.....5
Dynasty.....2	240304	251405
Gourmet.....3	250304	25150.....6
Prestige.....3	250314	25160.....6
24001.....4	250905	25170.....6
240204	251005	

Undermount

210017	21110.....10	2125113
210057	21120.....10	2125513
21015.....7	21130.....10	2126513
21021.....7	2114010	2127013
210308	21150.....11	2127514
210508	2115511	2515514
21051.....8	2116511	2515614
21070.....8	2117011	
210809	2117512	
21081.....9	21201.....12	
210909	21230.....12	
21101.....9	21250.....12	

Utility

Acrylic & Stainless Steel

Classic Laundry.....15	Europa Deluxe.....16
Deluxe Laundry.....15	25035.....16
Europa Laundry15	2505016

Kitchen Sinks

Acrylic & Stainless Steel

- Faucets not included, Please order separately
- Include faucet drilling instructions when ordering

Item	Part #
Strainer	04011

Pre-Drilled Faucet Holes

Single Hole Centered Add ("-01" to part number)

3 Holes @ 4" Add ("-04" to part number)

3 Holes @ 8" Add ("-08" to part number)



Classic Bar

Kitchen | Drop-In

Part

12021

Dimensions

15 1/4" x 15 1/4" x 5 5/8"

Bowl

Single

Faucet Hole

None

Strainer Included

Yes



Dynasty

Kitchen | Drop-In

Part

19041

Dimensions

32" x 21" x 8"

Bowl

Double

Faucet Hole

None

Strainer Included

Yes

Gourmet

Kitchen | Drop-In

Part #

19051

Dimensions

32" x 21" x 8 1/2"

Faucet Hole

None

Bowl

Double

Strainer Included

Yes



Prestige

Kitchen | Drop-In

Part #

19011

Dimensions

32" x 21" x 6 3/4" - 8 3/8"

Faucet Hole

None

Bowl

Double

Strainer Included

Yes



9 | Sinks
Kitchen | Drop-In



24001

Kitchen | Drop-In

Dimensions

17 1/8" x 17 1/8" x 7"

Gauge

20

Faucet

None



24020-1H

24024-4"cc

Kitchen | Drop-In

Dimensions

15" x 15" x 5 1/2"

Gauge

24

Faucet

Single



24030

Kitchen | Drop-In

Dimensions

15" x 15" x 8"

Gauge

18

Faucet

Single



25030-1H

25031-8"cc

Kitchen | Drop-In

Dimensions

20" x 20 1/2" x 7"

Gauge

20

Faucet

Single

25090

Kitchen | Drop-In

Dimensions

31 1/4" x 20 3/8" x 7"

Gauge

18

Faucet

Single



25100

Kitchen | Drop-In

Dimensions

31 1/4" x 20 3/8" x 8"

Gauge

18

Faucet

3 Hole - 8" cc



25130

Kitchen | Drop-In

Dimensions

31" x 20" x 10"

Gauge

18

Faucet

Single



25140

Kitchen | Drop-In

Dimensions

31" x 20" x 10"

Gauge

18

Faucet

Single



9 | Sinks
Kitchen | Drop-In & Package



25150

Kitchen | Drop-In

Dimensions

31 1/2" x 19 1/2" x 10 1/4"

Gauge

18

Faucet

Single



25160

Kitchen | Drop-in

Dimensions

38" x 19 5/8" x 10 1/4"

Gauge

18

Faucet

Single



25170

Kitchen | Package

Dimensions

31 1/2" x 19 1/2" x 10 1/4"

Gauge

18

Faucet

Single

21001

Kitchen | Undermount

Dimensions

14 ½" x 13" x 7"

Gauge

18

Corner Radius

Large



21005

Kitchen | Undermount

Dimensions

29" x 18" x 10"

Gauge

18

Corner Radius

Small



21015

Kitchen | Undermount

Dimensions

19" x 20" x 10"

Gauge

16

Corner Radius

Small



21021

Kitchen | Undermount

Dimensions

23" x 17 ¾" x 9"

Gauge

18

Corner Radius

Large



9 | Sinks
Kitchen | Undermount



21030

Kitchen | Undermount

Dimensions

30" x 18" x 10"

Gauge

18

Corner Radius

Small



21050

Kitchen | Undermount

Dimensions

29 1/2" x 17 3/8" x 8 5/8"

Gauge

18

Corner Radius

Zero



21051

Kitchen | Undermount

Dimensions

32" x 19" x 10"

Gauge

18

Corner Radius

Zero



21070

Kitchen | Undermount

Dimensions

33 5/8" x 18" x 9" & 7"

Gauge

16

Corner Radius

Small

21080

Kitchen | Undermount

Dimensions

19 ¼" x 19 ¼" x 7 ¾"

Gauge

16

Corner Radius

Zero



21081

Kitchen | Undermount

Dimensions

19" x 20" x 10"

Gauge

18

Corner Radius

Zero



21090

Kitchen | Undermount

Dimensions

30" x 18" x 10"

Gauge

16

Corner Radius

Zero



21101

Kitchen | Undermount

Dimensions

23 ¼" x 20 7/8" x 9"

Gauge

18

Corner Radius

Large



9 | Sinks
Kitchen | Undermount



21110

Kitchen | Undermount

Dimensions

15 5/8" x 17 1/2" x 8 1/2"

Gauge

18

Corner Radius

Zero



21120

Kitchen | Undermount

Dimensions

32" x 20" x 9" & 7 1/2"

Gauge

16

Corner Radius

Large



21130

Kitchen | Undermount

Dimensions

34 1/4" x 19 1/4" x 8"

Gauge

16

Corner Radius

Zero



21140

Kitchen | Undermount

Dimensions

29 1/2" x 19 1/4" x 8"

Gauge

18

Corner Radius

Zero

21150

Kitchen | Undermount

Dimensions

31 ¼" x 18 ½" x 10"

Gauge

18

Corner Radius

Zero



21155

Kitchen | Undermount

Dimensions

32" x 18" x 10"

Gauge

16

Corner Radius

Zero



21165

Kitchen | Undermount

Dimensions

23" x 18" x 9"

Gauge

18

Corner Radius

Small



21170

Kitchen | Undermount

Dimensions

31 ⅝" x 20 ⅝" x 9" & 8"

Gauge

16

Faucet

None



9 | Sinks
Kitchen | Undermount



21175

Kitchen | Undermount

Dimensions

31 1/4" x 20 1/2" x 10" & 8"

Gauge

16

Corner Radius

Small



21201

Kitchen | Undermount

Dimensions

31 3/8" x 18" x 8"

Gauge

18

Faucet

None



21230

Kitchen | Undermount

Dimensions

20 3/4" x 17 3/4" x 9"

Gauge

18

Corner Radius

Large



21250

Kitchen | Undermount

Dimensions

32" x 19" x 10"

Gauge

18

Corner Radius

Zero

21251

Kitchen | Undermount

Dimensions

32" x 19" x 10"

Gauge

18

Corner Radius

Small



21255

Kitchen | Undermount

Dimensions

27" x 18" x 8 5/8"

Gauge

18

Corner Radius

Small



21265

Kitchen | Undermount

Dimensions

27" x 18" x 8 5/8"

Gauge

18

Corner Radius

Small



21270

Kitchen | Undermount

Dimensions

19 1/4" x 17 3/8" x 7 3/4"

Gauge

18

Corner Radius

Small



9 | Sinks
Kitchen | Undermount



21275

Kitchen | Undermount

Dimensions

19 1/4" x 17 3/8" x 7 3/4"

Gauge

18

Corner Radius

Small



25155

Kitchen | Undermount

Dimensions

29" x 18" x 10"

Gauge

18

Corner Radius

Zero



25156

Kitchen | Undermount

Dimensions

29" x 18" x 10"

Gauge

18

Corner Radius

Small

Utility Sinks

Acrylic & Stainless Steel

- Faucets not included, Please order separately
- Include faucet drilling instructions when ordering

Item	Part #
Strainer (Stainles Steel Only)	04011



Pre-Drilled Faucet Holes

Single Hole Centered Add ("-01" to part number)

3 Holes @ 4" Add ("-04" to part number)

3 Holes @ 8" Add ("-08" to part number)

Classic Laundry

Utility | Acrylic

Part #	Description
11011	Classic Laundry
Dimensions	Faucet
20 3/4" x 21 3/4" x 10"	Large
Strainer Included	
No	

Deluxe Laundry

Utility | Acrylic

Part #	Description
11021	Deluxe Laundry
Dimensions	Corner Radius
27" x 22" 14 1/4"	Large
Strainer Included	
No	

Europa Laundry

Utility | Acrylic

Part #	Description
11031	Europa
Dimensions	Corner Radius
23 3/4" x 20 7/8" x 12"	Large
Strainer Included	
No	

9 | Sinks
Utility | Acrylic & Stainless Steel



Europa Deluxe

Utility | Acrylic

Part #

11041

Description

Europa Deluxe

Dimensions

32" x 21" x 11 3/4"

Corner Radius

Small

Strainer Included

No



25035

Utility | Stainless Steel

Dimensions

20" x 20" x 10"

Gauge

18

Corner Radius

Zero



25050

Utility | Stainless Steel

Dimensions

20" x 20" x 10"

Gauge

18

Corner Radius

Small

Faucet Index

Faucets

Freestanding Bathtub

Arc	2	Moderno	4
Brixton.....	2	Monarch.....	5
Ernst.....	3	Quadratto.....	4
Imara	3		

Wall & Deck Mount Bathtub

Monarch.....	6-7
--------------	-----

Kitchen

Anthony	7
Michael	8
Pierre.....	8



Arc

Single Lever Free-Standing Faucet

Part

83031

Features

- Ceramic disc single lever cartridge
- Solid brass construction
- Triple-plated chrome finish.
- Triple-seal water supply system

Technical Specifications

- 6 gal / minute spout flow rate @ 65 psi
- Minimum operating temp.: 0 °C
- Maximum operating temp.: 90 °C



Brixton

Single Lever Free-Standing Faucet

Part

83096

Features

- Ceramic disc single lever cartridge
- Solid brass construction
- Triple-plated chrome finish.
- Triple-seal water supply system

Technical Specifications

- 6.5 gal / minute spout flow rate @ 58 psi
- Minimum operating temp.: 4 °C
- Maximum operating temp.: 90 °C

Ernst

Single Lever Free-Standing Faucet

Part

83091

Features

- Ceramic disc single lever cartridge
- Solid brass construction
- Triple-plated chrome finish.
- Triple-seal water supply system

Technical Specifications

- 5.7 gal / minute spout flow rate @ 58 psi
- Minimum operating temp.: 0 °C
- Maximum operating temp.: 90 °C



Imara

Single Lever Handle Free-Standing Faucet

Part

83061

Features

- Ceramic disc single lever cartridge
- Solid brass construction
- Triple-plated chrome finish.
- Triple-seal water supply system

Technical Specifications

- 5.5 gal / minute spout flow rate @ 65 psi
- Minimum operating temp.: 0 °C
- Maximum operating temp.: 90 °C





Moderno

Dual Lever or Cross Handle Free-Standing Faucet

Product	Part #
Chrome w/ Cross Handles	83021
Chrome w/ Lever Handles	83011

Features

- Two ¼ turn ceramic cartridges
- Solid brass construction
- Triple-plated chrome finish
- Triple-seal water supply system

Technical Specifications

- 5 gal / minute spout flow rate @ 65 psi
- Minimum operating temp.: 0 °C
- Maximum operating temp.: 90 °C



Quadratto

Single Lever Free-Standing Faucet

Part #
83041

Features

- Ceramic disc single lever cartridge
- Solid brass construction
- Triple-plated chrome finish.
- Triple-seal water supply system

Technical Specifications

- 5.6 gal / minute spout flow rate @ 65 psi
- Minimum operating temp.: 0 °C
- Maximum operating temp.: 90 °C

Monarch

Dual Lever or Cross Handle Free-Standing Faucet

Product	Part #
Chrome	
- Cross Handles	83071
- Lever Handles	83051



Monarch With Stops

Dual Lever or Cross Handle Free-Standing Faucet

Product	Part #
Chrome	
- Cross Handles & Stops	81031
- Lever Handles & Stops	81041
Brushed Nickel	
- Cross Handles & Stops	81072
- Lever Handles & Stops	81082





Monarch Deck Mount

Dual Lever or Cross Handle Faucet

Product	Part #
Chrome w/ Cross Handles	82011
Chrome w/ Lever Handles	82021

Features

- Two ¼ turn ceramic cartridges
- Solid brass construction
- Triple-plated chrome finish
- Triple-seal water supply system
- Comes with adjustable pillars

Technical Specifications

- 5 gal / minute spout flow rate @ 65 psi
- Minimum operating temp.: 0 °C
- Maximum operating temp.: 90 °C
- Minimum operating pressure: 7 psi
- Maximum operating pressure: 145 psi

Monarch Risers

With Cross handle Shut-off Valves

Product	Part #
Chrome w/ Cross Handles	80125
Brushed Nickel w/ Cross Handles	80126

Features

- Solid brass construction
- Triple-plated chrome finish
- ¾" M x ¾" M with shut-off valve
- 31 ½" Tall

Monarch Wall Mount

Dual Lever or Cross Handle Faucet

Product	Part #
Chrome w/ Cross Handles	80022
Chrome w/ Lever Handles	80023

Features

- Two ¼ turn ceramic cartridges
- Solid brass construction
- Triple-plated chrome finish
- Triple-seal water supply system

Technical Specifications

- 5 gal / minute spout flow rate @ 65 psi
- Minimum operating temp.: 0 °C
- Maximum operating temp.: 90 °C



Anthony

Single Lever Faucet

Part

86002

Features

- Single lever handle
- Ceramic disc single lever cartridge
- Solid brass construction
- Triple-plated chrome finish.
- Triple-seal water supply system





Pierre

Single Lever Faucet

Part #

86001

Features

- Single lever handle
- Ceramic disc single lever cartridge
- Solid brass construction
- Triple-plated chrome finish.
- Triple-seal water supply system



Michael

Single Lever Faucet

Part #

86003

Features

- Ceramic disc single lever cartridge
- Solid brass construction
- Triple-plated chrome finish.
- Triple-seal water supply system

Index

Toilets

Elongated

31030 2
31050 2
31110 2
31120 3
31205 4

Round Front

31060 2

Square Front

31140 3
31201 3
31201-BLK 3

Toilet Seats

All of our toilets come with toilet seats

Replacement Parts

..... 4-6



31030

Bowl
Elongated

Capacity
6L

Soft Close Seat Included

Flush Style
Single



31050

Bowl
Elongated

Capacity
4.8L

Soft Close Seat Included

Flush Style
Single



31060

Bowl
Round Front

Capacity
3 / 6L

Soft Close Seat Included

Flush Style
Dual



31100

Bowl
Elongated

Capacity
5L

Soft Close Seat Included

Flush Style
Single



31120

Bowl

Elongated

Capacity

4 / 6L

Soft Close Seat Included

Flush Style

Dual



31140

Bowl

Square Front

Capacity

6L

Soft Close Seat Included

Flush Style

Single



31201

Bowl

Square Front

Capacity

4.8L

Soft Close Seat Included

Flush Style

Single



31201-BLK

Bowl

Square Front

Capacity

4.8L

Soft Close Seat Included

Flush Style

Single

Finish

Matte Black

11 | Toilets
Replacement Parts



31205

Bowl
 Elongated

Capacity
 4.8L

Soft Close Seat Included

Flush Style
 Single

Replacement Parts

Toilet Model	Component	Part #
31030	Flapper Seal	33050
	Flushing Lever/Handle	33060
	Seat	33025
	Flush valve	34005

Toilet Model	Component	Part #
31050	Flushing Lever/Handle	33061
	Seat	33020
	Flush valve	34000

Toilet Model	Component	Part #
31060	Flushing Push Button	33063
	Seat	33024
	Flush valve	34001

Toilet Model	Component	Part #
31070	Flushing Push Button	33063

Replacement Parts

Toilet Model	Component	Part #
31080	Flushing Lever/Handle	33062
	Seat	33022
	Flush Valve	34003
Toilet Model	Component	Part #
31120	Flushing Push Button	33064
	Seat	33021
	Flush valve	34004
Toilet Model	Component	Part #
31140	Flushing Lever/Handle	33061
	Seat	33026
	Flush valve	34007
Toilet Model	Component	Part #
31150	Flushing Push Button	33063
	Seat	33027
	Flush valve	34014
Toilet Model	Component	Part #
31201	Flushing Push Button	33066
	Seat	33037
	Flush valve	34015
Toilet Model	Component	Part #
31201-BLK	Flushing Push Button	33066
	Seat	33038
	Flush valve	34015

Replacement Parts

Toilet Model	Component	Part #
31205	Seat	33023
	Flush valve	34006

Toilet Model	Component	Part #
TB108	Seat	33028
	Flush valve	34008
	Tank Lid	33085

Toilet Model	Component	Part #
TB109	Seat	33029
	Flush valve	34009
	Tank Lid	33084

Toilet Model	Component	Part #
TB222	Seat	33033
	Flush valve	34010

Toilet Model	Component	Part #
TB326	Seat	33034
	Flush valve	34011

Toilet Model	Component	Part #
TB330	Seat	33035
	Flush valve	34012

Toilet Model	Component	Part #
TB346	Seat	33036
	Flush valve	34013

Aging In Place Index

Walk-In Baths

Upgrades & Accessories

Upgrade Info.....	2
Upgrade Compatibility	3
Upgrade Options.....	4
Accessories.....	5

Walk-In Baths

Dignity.....	7
Freedom	8
Independence 54	9
Independence 60.....	10
Integrity with Hydraulic Seat.....	11
Nobility.....	12
Pride LH	13
Pride RH.....	14
Tranquility	15

Shower Bases

Shower Receptor

Pender	16
--------------	----

Barrier Free Shower Bases

.....	17
End Drain.....	18

Walk-In Bath Upgrades

Chromatherapy

Immerse yourself within a sea of light created by a dual mini-light Chromatherapy system. Bathers can choose between red, orange, yellow, green, blue, turquoise, and magenta, or cycle through a range of 9 blended colours. Combine Chromatherapy with a massage system to create a total spa experience.

Lateral Air

16 jets mounted around the perimeter of the bathing well infuse the water with a soothing stream of massaging bubbles. A ceramic heating core preheats the air as a 600-Watt Panasonic™ blower delivers a steady stream of warm air bubbles to the bather. Use the variable speed control pad to vary the intensity of the massage to your mood.

Enjoy peace of mind in knowing that all blowers are preprogrammed with an auto-drying cycle to clean and dry the system after every use.

HydroMassage

The hydromassage is the most vigorous of all available upgrades, featuring a $\frac{3}{4}$ hp high efficiency pump. Bath water circulates through 6 or more adjustable jets to deliver targeted massaging action with variable levels of intensity. Upgrade this massage system by adding additional jets or adding an in-line heater to help maintain your bath's water temperature.

ComfortWarm™

ComfortWarm™ uses radiant heat technology to directly heat the surface of the bathtub's back-rest. Use the three heat settings to adjust the heat intensity at any time with a simple press of the electronic touchpad.

VIBE Sound

The Vibe System allows you to enjoy your music or radio at the touch of a button in your shower or bathtub. The vibes of the music are synchronized with a Chromatherapy system that will change colors in synch with every beat of your favorite music.

Aromatherapy

Only a few drops of fragrance are needed. The system works using a pump which leads the air towards the receptacle which is filled with a combination of water and a few essential oil drops. Once the aromatherapy system is turned on, the diffuser spreads the natural scent of the essential oil into the ambient air.

Walk-In Bath Upgrade Compatibility

Products	Chromatherapy	LateralAir	HydroMassage	ComfortWarm™	VIBE Sound	Aromatherapy
Dignity	+	+	+	+	I or II	+
Freedom	+	+	+	+	I or II	+
Independence 54 / 60	+	+	+	+	I or II	+
Integrity	+	+	+	+	I or II	+
Nobility	+	+	+	+	I or II	+
Pride	+	+	+	+	I or II	+
Tranquility	+	+	+	+	I or II	+

***VIBE Sound I = Keypad, VIBE Sound II = Remote Control**

Please note for putting together multiple upgrades contact Acritec Customer Service at customerservice@acritec.com.

Walk-In Bath Upgrade Options

Lateral Air

16 Jet Air System

- White	00021
- Brushed Nickel	00023
- Polished Chrome	00024
- Remote control for air blower	00133
- Remote Location kit for air blower (12' extra cable & hose)	00131

Variable Air Blower (Replacement)	00180
--	-------



HydroMassage

6 Jet HydroMassage System

- White	00101
- Polished Chrome	00104

8 Jet HydroMassage System

- White	00111
- Polished Chrome	00114

Add 1x HydroMassage Jet

- White	00151
- Polished Chrome	00154

Inline HydroMassage Heater	00171
-----------------------------------	-------

110V 3/4HP Pump (Replacement)	00260
--------------------------------------	-------

Custom Jet System	00155
--------------------------	-------

Sound Deadening Pump Pad	00160
---------------------------------	-------



Chromatherapy Lights

	Part #
2 x White Finish	01020
2 x Chrome Finish	01021




ComfortWarm™

1x ComfortWarm™ Heated Backrest (70W)	01040-01
--	----------

2x ComfortWarm™ Heated Backrests (2x35W)	01040-02
---	----------

Walk-In Bath Upgrade Options

VIBE Sound System	
VIBE I + Chromotherapy Lights	
2x Speakers + 2x Chromotherapy Lights (White Finish) + Advanced Keypad	01022
2x Speakers + 2x Chromotherapy Lights (Chrome Finish) + Advanced Keypad	01023
VIBE II + Chromotherapy Lights (For Most Freestanding Tubs)	
2x Speakers + 2x Chromotherapy Lights (White Finish) + Remote Control	01024
2x Speakers + 2x Chromotherapy Lights (Chrome Finish) + Remote Control	01025
Aromatherapy System	
Diffuser System + Keypad	01030



Aging In Place Accessories

Accessories	Part #
Grab Bar - 6" (Installed)	
- Clear / Gold Inserts	01002
- White	01003
Grab Bar - 10" (Installed)	
- Chrome	01004
144" Plastic Tiling Flange (Part Only)	02040
144" Plastic Tiling Flange (Factory Installed)	02040.02050
64" Plastic Tiling Flange (Part Only)	02041
64" Plastic Tiling Flange (Factory Installed)	02041.02050
78" Aluminum Tiling Flange (Part Only)	02042
78" Aluminum Tiling Flange (Factory Installed)	02042.02050
Collapsible Threshold (For Barrier Free Showers)	05010
End Caps for Collapsible Threshold (Barrier Free Showers)	05011
Lateral Air Accessories	
Remote Location kit for air blower (12' extra cable & hose)	00131
Remote control for air blower	00133



08010

Pillow | Contoured | Compatible with all Acritec baths

Dimensions

11 $\frac{7}{8}$ " x 4 $\frac{3}{8}$ "

Colour

Black



08012

Pillow | Premium | Compatible with all Acritec baths

Dimensions

11 $\frac{1}{2}$ " x 6 $\frac{1}{2}$ "

Colour

Black



08014

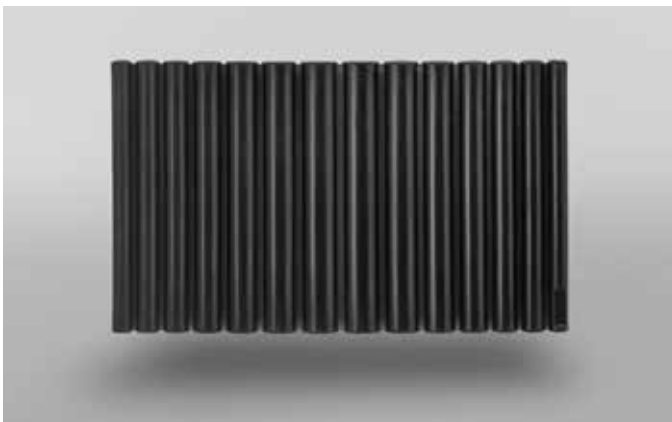
Pillow | Contoured | For baths with rounded backrests

Dimensions

11 $\frac{1}{2}$ " x 3 $\frac{1}{8}$ "

Colour

Black



08016

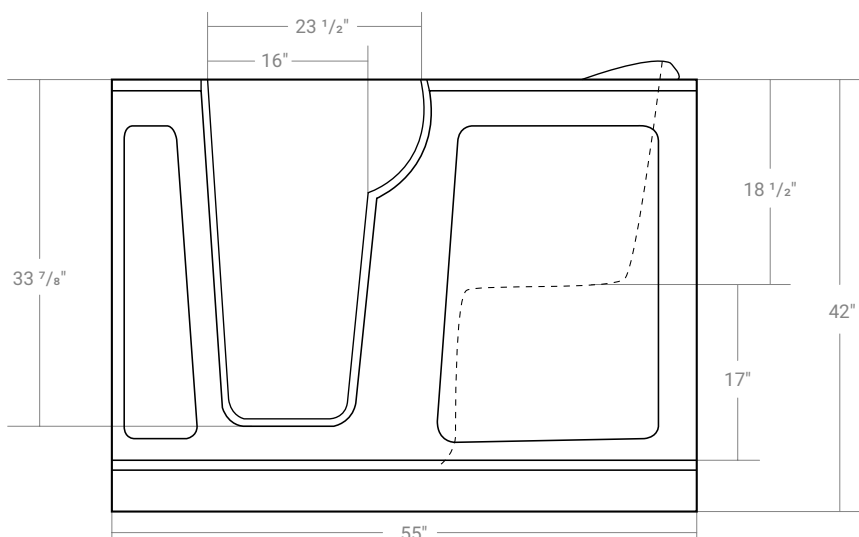
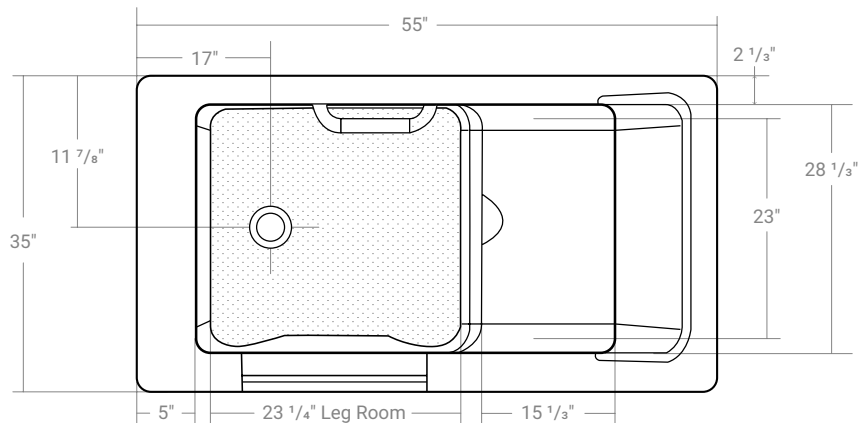
Pillow | Premium | Compatible with all Acritec baths

Dimensions

15 $\frac{3}{4}$ " x 10 $\frac{1}{4}$ "

Colour

Black



Dignity

Extendable to 60" (Kit Included)

1 x End Panel (**Part #** 09012)

Part

LH - 70081

RH - 70082

Dimensions

55" x 35" x 42"

Features

- Contoured built-in seat
- Stainless steel handle
- Textured bottom
- Deep bathing well
- Adjustable levelling feet
- Drains included

Upgrades (See pg. 2-6 for details)

- Chromatherapy
- Lateral Air
- HydroMassage
- ComfortWarm™
- VIBE Sound
- Aromatherapy

12 | Aging In Place Walk-In Baths



Freedom

Extendable to 60" (Kit Included)

1 x End Panel (**Part #** 09010)

Part

LH - 70051

RH - 70055

Dimensions

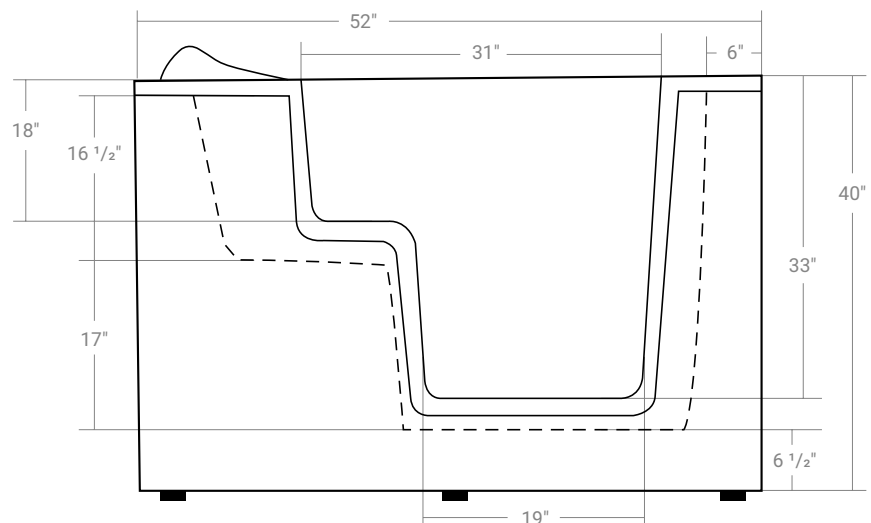
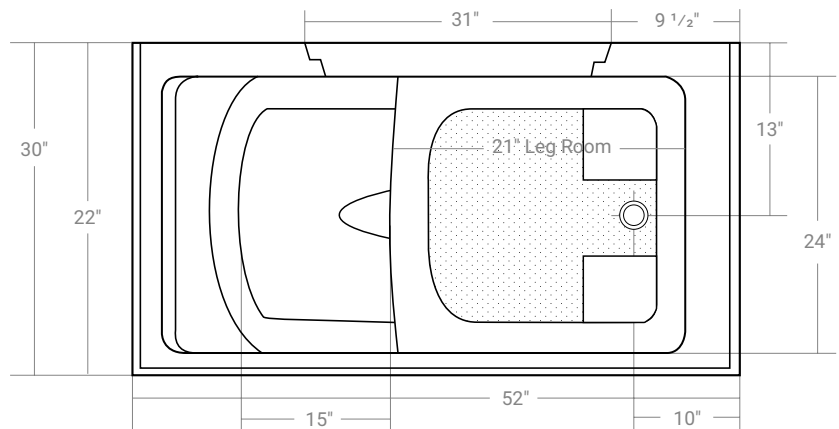
52" x 30" x 40"

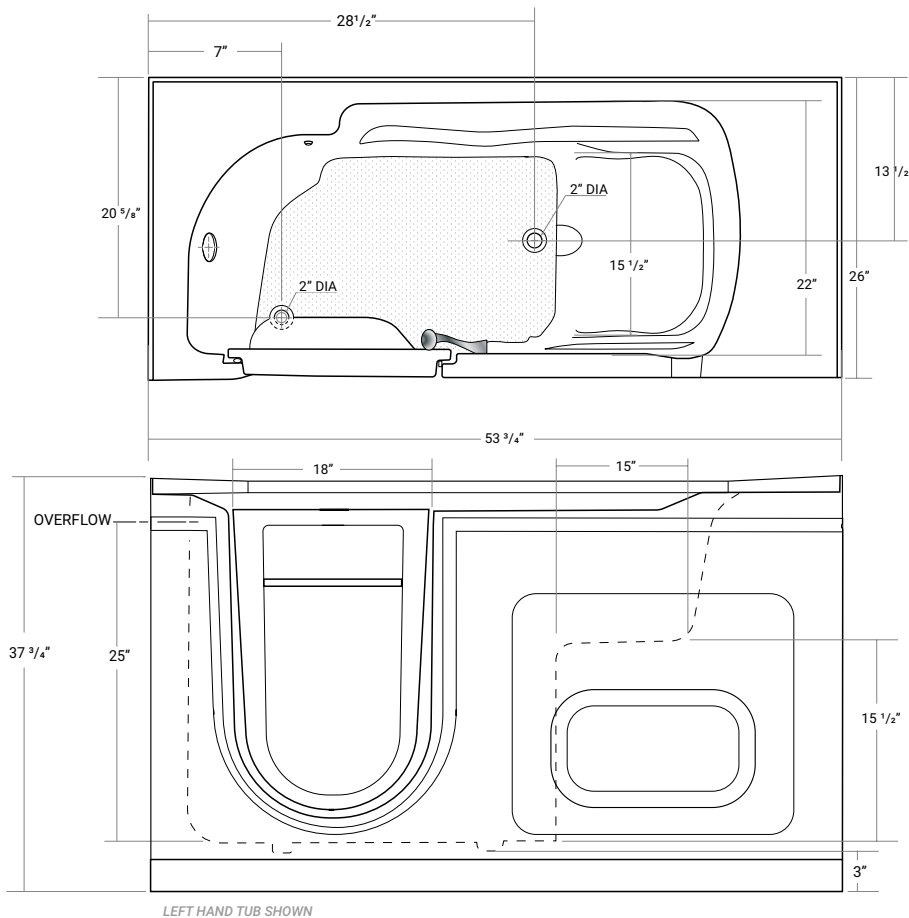
Features

- Contoured built-in seat
- Stainless steel handle
- Textured bottom
- Deep bathing well
- Adjustable levelling feet
- Drains included

Upgrades (See pg. 2-6 for details)

- Chromatherapy
- Lateral Air
- HydroMassage
- ComfortWarm™
- VIBE Sound
- Aromatherapy





Independence 54

Part

LH - 70031

RH - 70041

Dimensions

53 3/4" x 26" x 37 3/4"

Features

- Contoured built-in seat
- Stainless steel grab bar
- Textured bottom
- Deep bathing well
- Adjustable levelling feet
- Drains included

Upgrades (See pg. 2-6 for details)

- Chromatherapy
- Lateral Air
- HydroMassage
- ComfortWarm™
- VIBE Sound
- Aromatherapy

**12 | Aging In Place
Walk-In Baths**



Independence 60

Part #

LH - 70011

RH - 70021

Dimensions

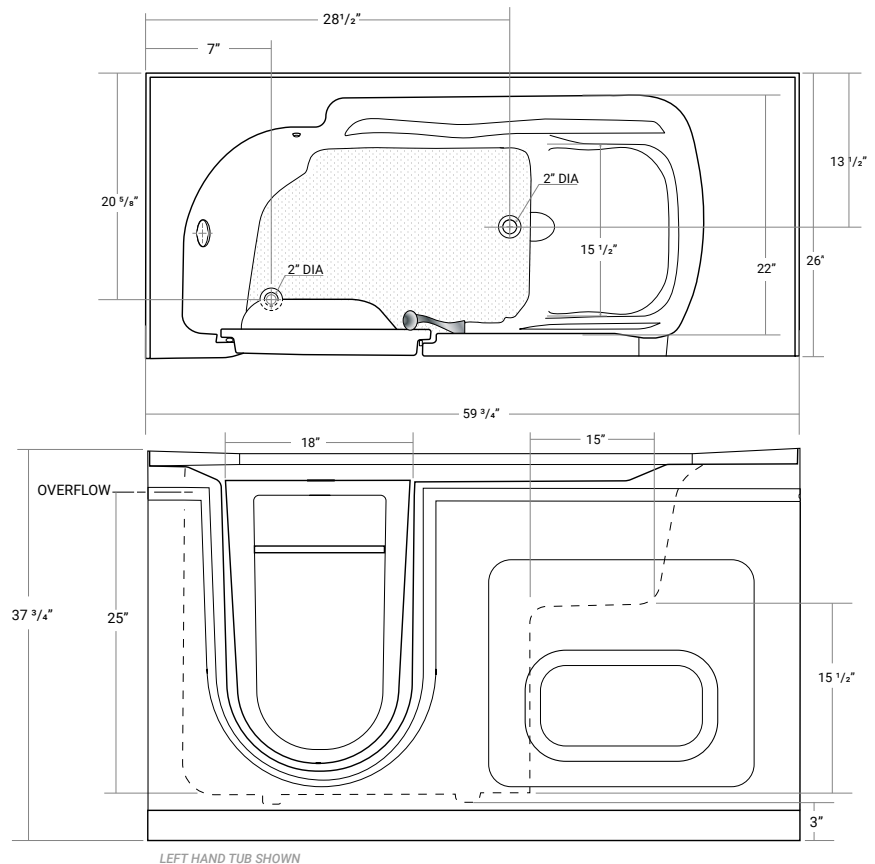
59 3/4" x 26" x 37 3/4"

Features

- Contoured built-in seat
- Stainless steel grab bar
- Textured bottom
- Deep bathing well
- Adjustable levelling feet
- Drains included

Upgrades (See pg. 2-6 for details)

- Chromatherapy
- Lateral Air
- HydroMassage
- ComfortWarm™
- VIBE Sound
- Aromatherapy





Integrity with Hydraulic Seat

Part

LH - 71061

RH - 71062

Dimensions

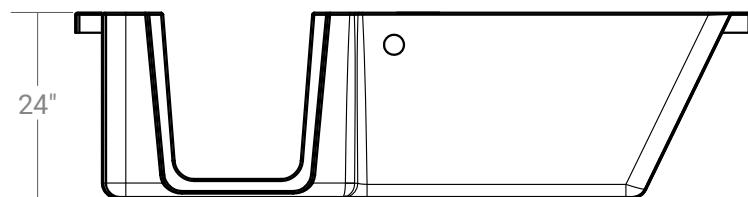
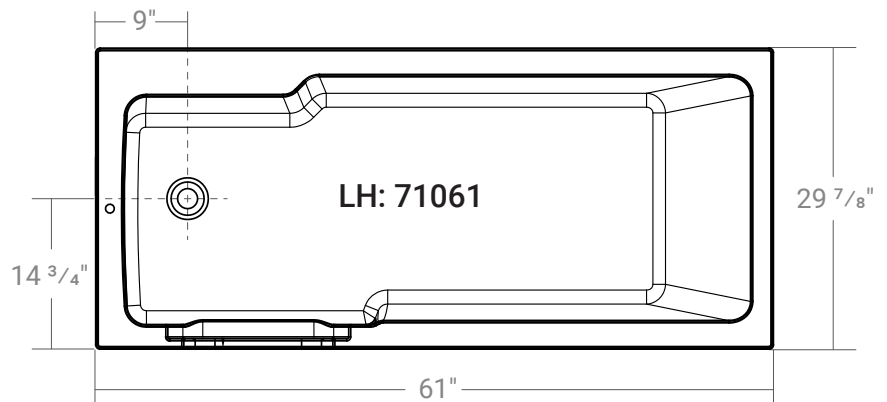
61" x 29 7/8" x 24"

Features

- Left or right inward door swing
- Electric adjustable lift seat (Maximum weight 200kgs)
- Two press switches to control the adjustable lift seat

Upgrades (See pg. 2-6 for details)

- Chromatherapy
- Lateral Air
- HydroMassage
- ComfortWarm™
- VIBE Sound
- Aromatherapy





Nobility

Part

LH - 70091

RH - 70092

Dimensions

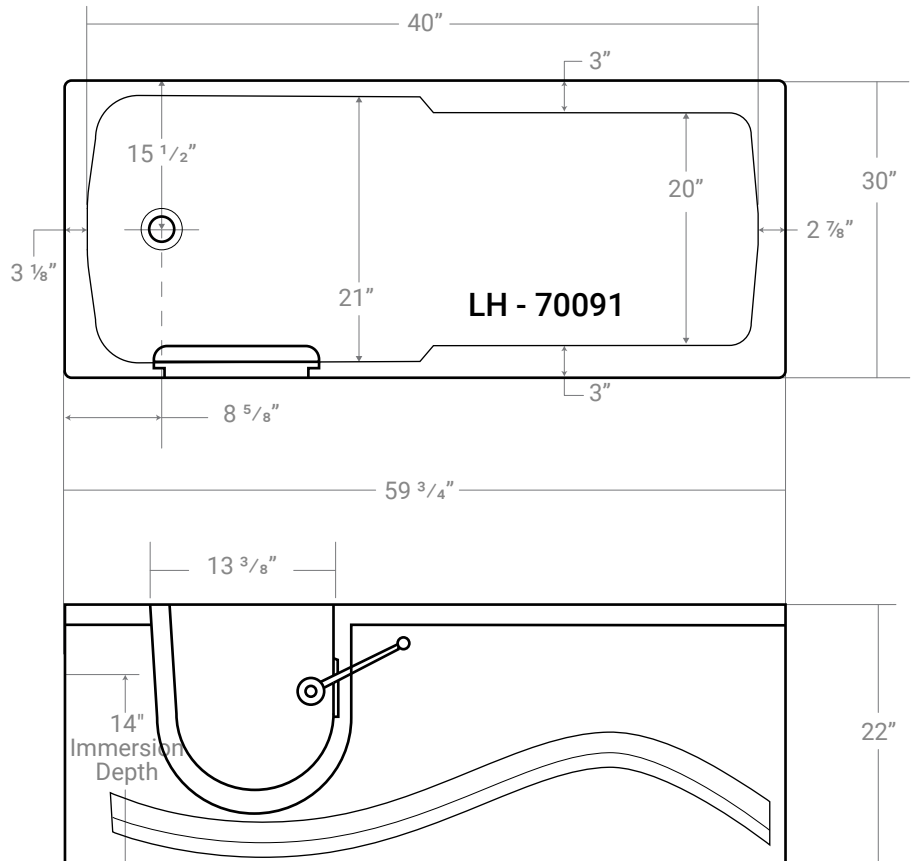
59 3/4" x 30" x 22"

Features

- Contoured backrest
- Stainless steel handle
- Adjustable levelling feet

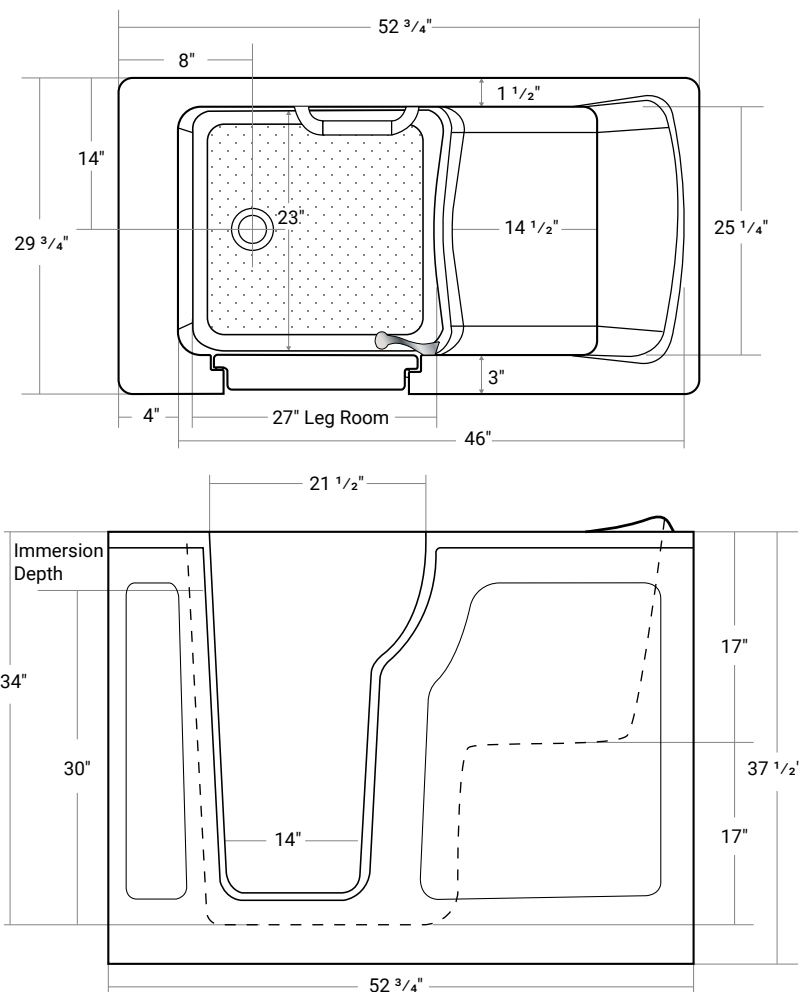
Upgrades (See pg. 2-6 for details)

- Chromatherapy
- Lateral Air
- HydroMassage
- ComfortWarm™
- VIBE Sound
- Aromatherapy





Faucets not included



Pride LH

Extendable to 60" (Kit Included)

1 x End Panel (**Part #** 09011)

Part #
LH - 70071

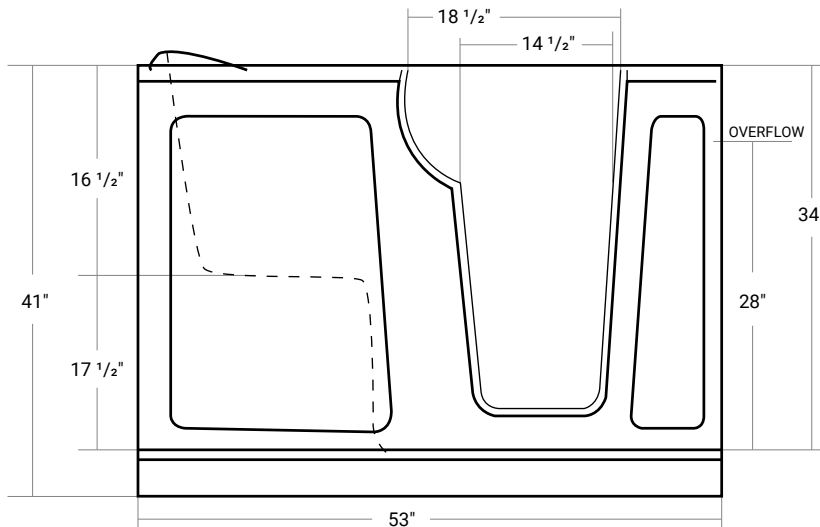
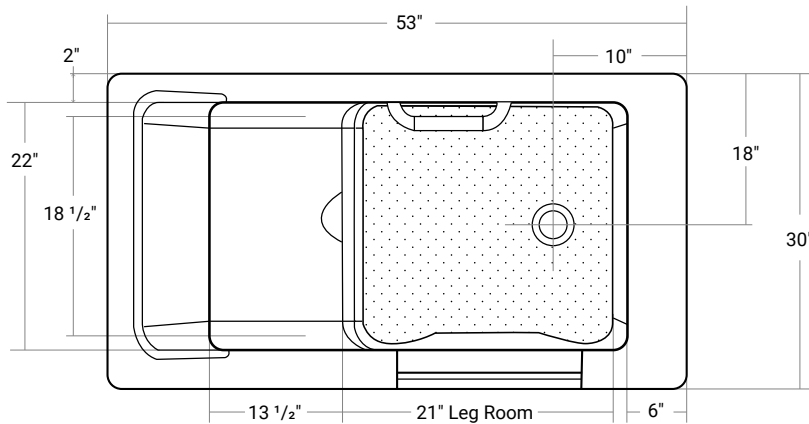
Dimensions
52 ³/₄" x 29 ³/₄" x 37 ¹/₂"

- Features**
- Contoured built-in seat
 - Stainless steel handle
 - Textured bottom
 - Deep bathing well
 - Adjustable levelling feet
 - Drains included

Upgrades (See pg. 2-6 for details)

- Chromatherapy
- Lateral Air
- HydroMassage
- ComfortWarm™
- VIBE Sound
- Aromatherapy

**12 | Aging In Place
Walk-In Baths**



Pride RH

Extendable to 60" (Kit Included)

1 x End Panel (**Part #** 09011)

Part #
RH - 70075

Dimensions
53" x 30" x 41"

Features

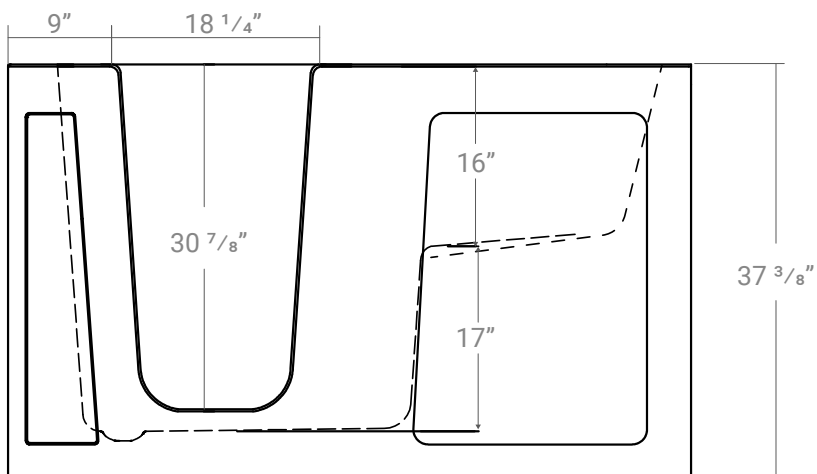
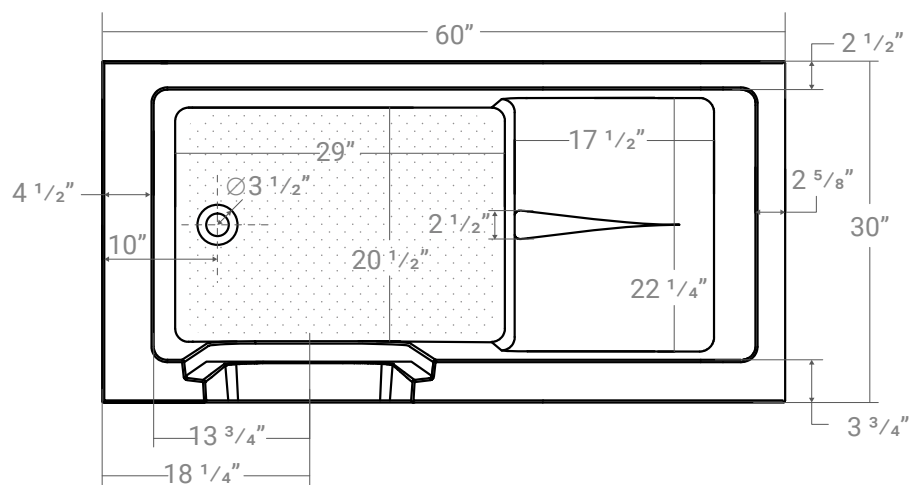
- Contoured built-in seat
- Stainless steel handle
- Textured bottom
- Deep bathing well
- Adjustable levelling feet
- Drains included

Upgrades (See pg. 2-6 for details)

- Chromatherapy
- Lateral Air
- HydroMassage
- ComfortWarm™
- VIBE Sound
- Aromatherapy



Faucets not included



Tranquility

Part

LH - 70093

RH - 70094

Dimensions

60" x 30" x 37 3/8"

Features

- Contoured built-in seat
- Stainless steel handle
- Textured bottom
- Deep bathing well
- Adjustable levelling feet
- Drains included

Upgrades (See pg. 2-6 for details)

- Chromatherapy
- Lateral Air
- HydroMassage
- ComfortWarm™
- VIBE Sound
- Aromatherapy

**12 | Aging In Place
Shower Bases**



Pender

Alcove | End Drain

Height: 22 1/2"

Part #

LH - 63612

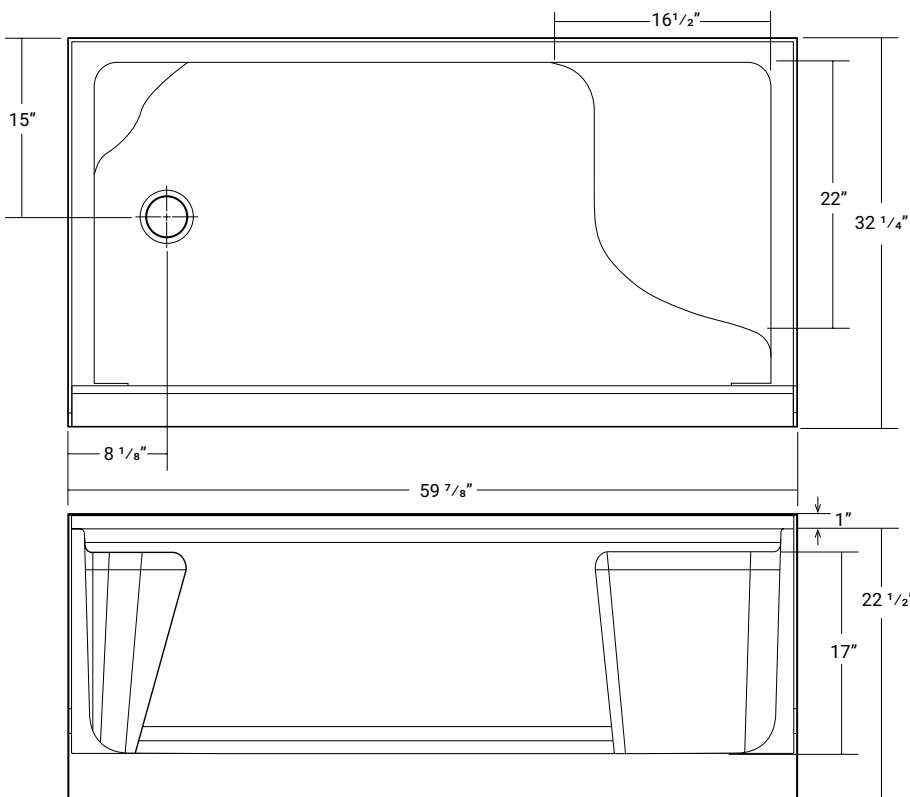
RH - 63613

Features

- 17" comfort height seat
- Soap shelf
- End drain
- Tradition bath replacement size
- Integral tiling flange

Compatible Shower Door

Abbott 60"	Part #
Chrome	57073
Matte Black	57074





Barrier-Free

Single Threshold

Height: 2"

Dimensions (Width x Depth)	Part#
48 x 36	72011
48 x 38 NS	72021
48 x 42 NS	72031
48 x 48 NS	72041
54 x 36 NS	72051
60 x 32	72081
60 x 34 NS	72111
60 x 36	72121
60 x 38 NS	72131
60 x 40 NS	72141
60 x 42 NS	72151
Collapsible Threshold	05010
End Caps for Collapsible Threshold (Barrier Free Showers)	05011

NS: These sizes are made to order and are generally non-stocking items. Please allow for manufacturing time.
NS models not returnable once ordered.

**12 | Aging In Place
Shower Bases**



Barrier-Free

Single Threshold | End Drain

Height: 2"

Dimensions (Width x Depth)	LH-Drain #	RH-Drain #
60" x 30"	72061	72071
60" x 32"	72091	72101
Collapsible Threshold		05010
End Caps for Collapsible Threshold (Barrier Free Showers)		05011

"Consult technical specifications for threshold heights and drain placements. Barrier free shower bases are not intended for installation with a shower door."